



Washbasin faucet with Bidetta hand shower. Fixed spout, aerator and pop-up waste. Shower hose 1.75 m, wall bracket. There are also in-built limitation options for water temperature and maximum flow-rate. F = with flexible pipes

- Deck mounted
- Chrome
- Fixed spout
- Standard aerator
- Single operating lever/handle, Hot/Cold symbols
- Pop-up waste with draw-rod
- Hand shower, Shower holder, Shower hose (1750 mm)
- Bidetta hand shower
- Limitation option for maximum temperature and flow-rate
- ø 40 mm ceramic cartridge for flow and temperature control
- Flexible inlet pipes
- 3S-installation system for safe and simple mounting
- 1 spray function

TECHNICAL DATA

FLOW PROPERTIES

Flow-rate at 300 kPa	0.13 l/s
Pressure loss with flow (0.1 l/s)	160 kPa

TECHNICAL PROPERTIES

Hot water supply	max. +70°C
Working pressure	50 - 1000 kPa
Connection size	G3/8
Projection	107 mm
Backflow prevention (EN1717)	HC
Material	Brass

REGULATIONS

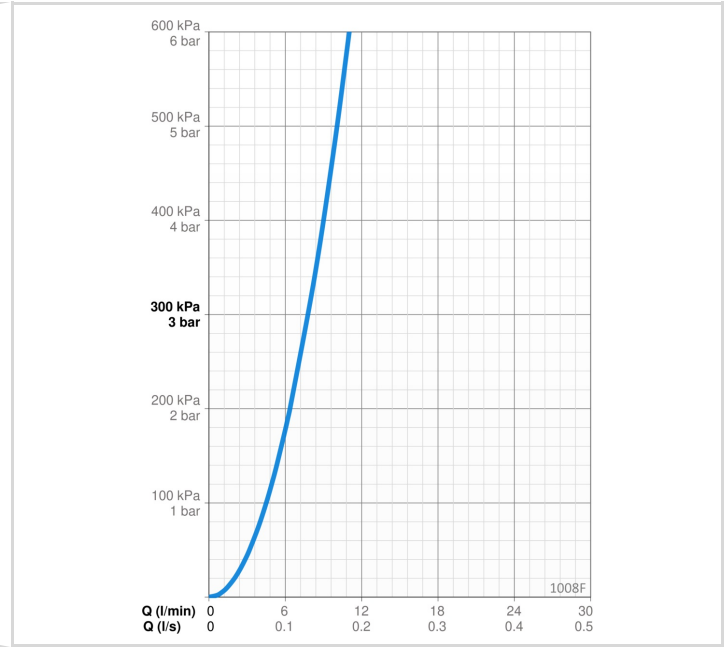
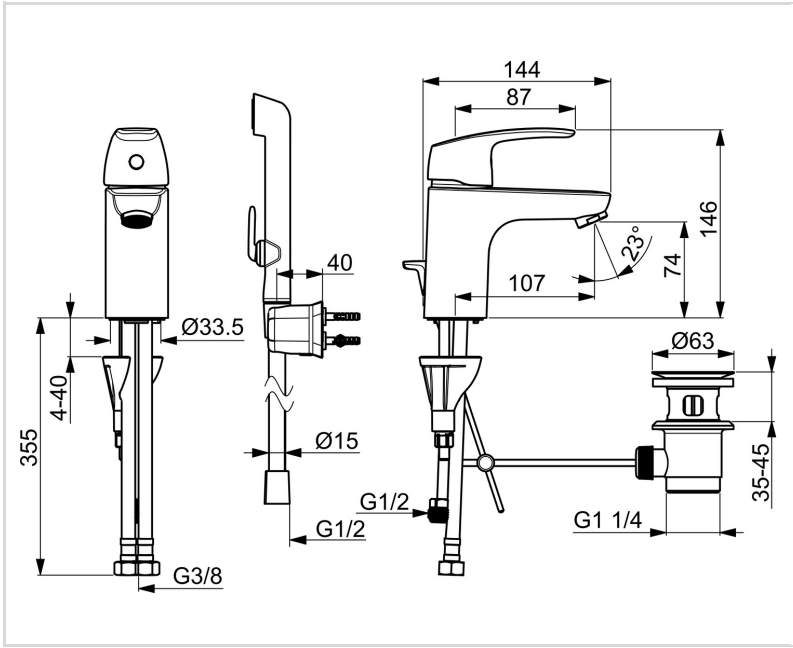
EN standard	EN 817, EN 1113
Noise class	I (ISO 3822) Oras lab.

APPROVALS AND DECLARATIONS

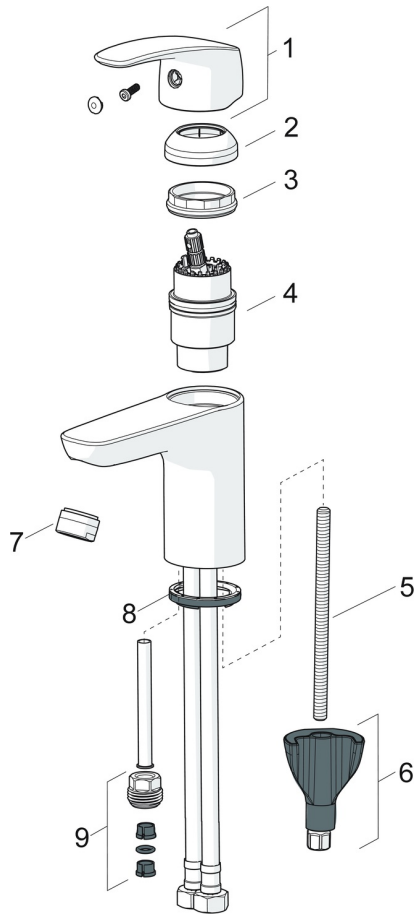
STF certificate	EUFI29-22005194-TH
Sintef	Sintef Nr. 3638
KIWA SE	1490
Declaration of conformity	DoC
EPD	S-P-06391

SUSTAINABILITY

EPD module A1-A3 (kg CO2 eq.)	11,10
EPD module A4 (kg CO2 eq.)	0,31
EPD module B7 (kg CO2 eq.)	2410,20
EPD module C2 (kg CO2 eq.)	0,02
EPD module C3 (kg CO2 eq.)	0,02
EPD module C4 (kg CO2 eq.)	0,09
EPD module D (kg CO2 eq.)	-7,89

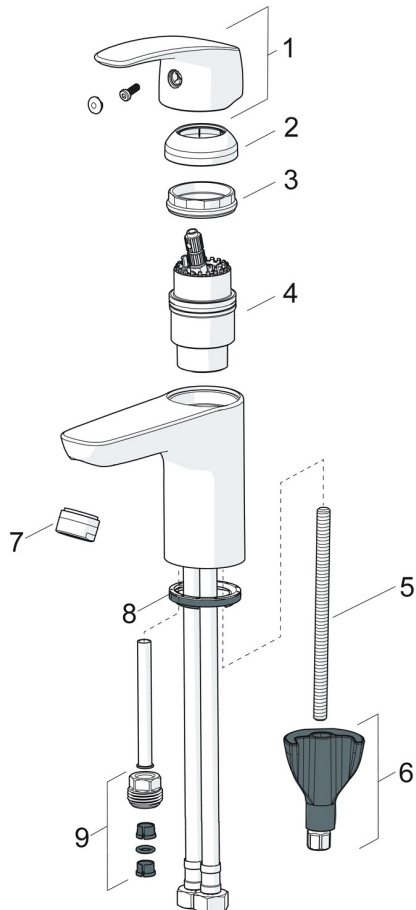


SPARE PARTS



SP1012F

	Name	Code
01	Lever Chrome	602502V
02	Covering cap Chrome	1000664V
03	Tightening nut, M42x1.5, SW 38	158726
04	Cartridge	158890
05	Fixing screw, M8x1, L=130	1000780V
06	Fixing set	602610V
07	Aerator, M24x1 STD HC A Chrome	232211
08	Bottom seal	1002371V
09	Nipple	159684
N.I.	Plug	117929/10
N.I.	Holder	1002369V



SP0034

	Name	Code
01	O-ring, 32.7x3	559522/10
02	Plug for pop-up waste Chrome	559506
03	Cellular plastic sealing (10 pcs), 60/40x5	559603/10
04	Form sealing, D60xD44	559536
05	Pop-up operating rod, L=380 Chrome	559529
05	Pop-up operating rod, Safira Chrome	1000681V
05	Pop-up operating rod, L=400 Chrome	559590
05	Pop-up operating rod, Ventura Chrome Discontinued	559595V
05	Pop-up operating rod Satin Discontinued	159008V-60
05	Pop-up operating rod, Vienda Chrome Discontinued	159008V
06	Swivel joint Chrome	559523
07	Lever for pop-up waste Chrome	559591