



Washbasin faucet with fixed spout and aerator. There are also in-built limitation options for water temperature and maximum flow-rate. F = with flexible pipes

- Deck mounted
- Chrome
- Fixed spout
- Standard aerator
- Single operating lever/handle, Hot/Cold symbols
- Chain holder without chain
- Limitation option for maximum temperature and flow-rate
- ø 40 mm ceramic cartridge for flow and temperature control
- Flexible inlet pipes
- 3S-installation system for safe and simple mounting

TECHNICAL DATA

FLOW PROPERTIES

Flow-rate at 300 kPa	0.18 l/s
Pressure loss with flow (0.1 l/s)	95 kPa

TECHNICAL PROPERTIES

Hot water supply	max. +70°C
Working pressure	50 - 1000 kPa
Connection size	G3/8
Projection	107 mm
Backflow prevention (EN1717)	AA
Material	Brass

REGULATIONS

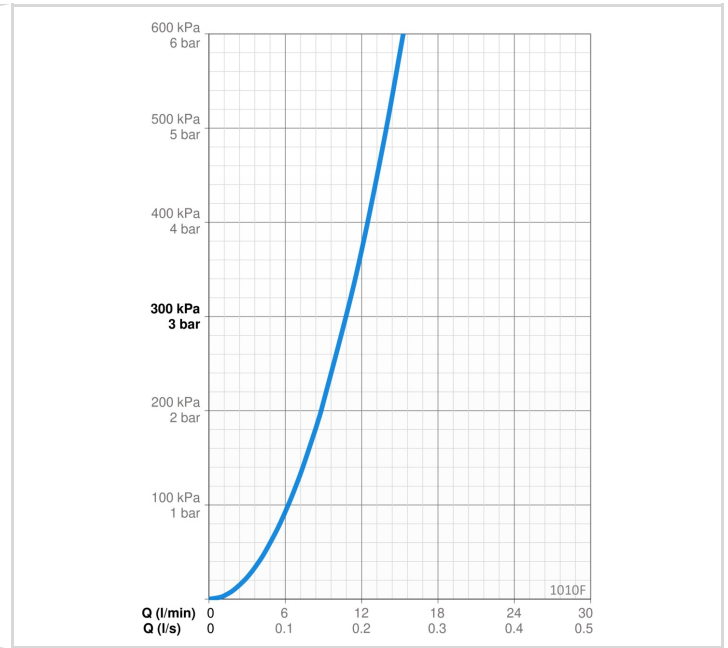
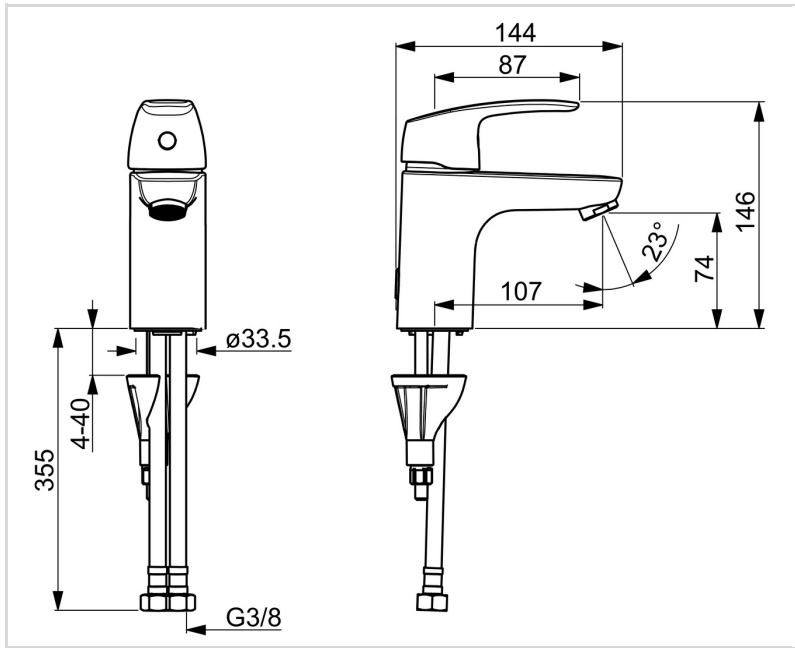
EN standard	EN 817
Noise class	I (ISO 3822) Oras lab.

APPROVALS AND DECLARATIONS

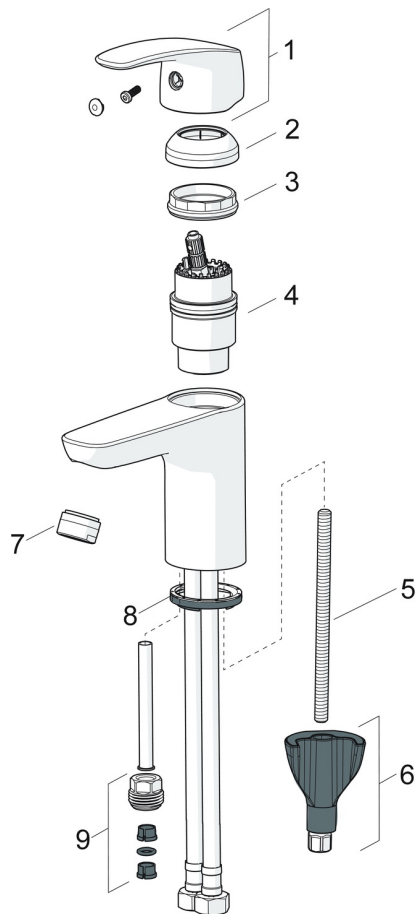
STF certificate	EUFI29-22005194-TH
Sintef	Sintef Nr. 3637
KIWA SE	1490
Declaration of conformity	DoC
EPD	S-P-06391

SUSTAINABILITY

EPD module A1-A3 (kg CO2 eq.)	6,93
EPD module A4 (kg CO2 eq.)	0,19
EPD module B7 (kg CO2 eq.)	3337,20
EPD module C2 (kg CO2 eq.)	0,01
EPD module C3 (kg CO2 eq.)	0,01
EPD module C4 (kg CO2 eq.)	0,05
EPD module D (kg CO2 eq.)	-4,93



SPARE PARTS



SP1012F

Name	Code
01 Lever Chrome	602502V
02 Covering cap Chrome	1000664V
03 Tightening nut, M42x1.5, SW 38	158726
04 Cartridge	158890
05 Fixing screw, M8x1, L=130	1000780V
06 Fixing set	602610V
07 Aerator, M24x1 STD HC A Chrome	232211
08 Bottom seal	1002371V
09 Nipple	159684
N.I. Plug	117929/10
N.I. Holder	1002369V