



1013F ORAS SAFIRA WASHBASIN FAUCET WITH WASHING MACHINE VALVE

SINGLE-LEVER, DISHWASHER VALVE

EAN: 6414150098628 static.oras.com/1013F



- Deck mounted
- Chrome
- Swivel spout, Swivel range limiting option, Profile construction
- Standard aerator
- Single operating lever/handle, Hot/Cold symbols
- Limitation option for maximum temperature and flow-rate
- ø 40 mm ceramic cartridge for flow and temperature control
- Flexible inlet pipes

TECHNICAL DATA

FLOW PROPERTIES

Flow-rate at 300 kPa	0.19 l/s
Pressure loss with flow (0.1 l/s)	90 kPa

TECHNICAL PROPERTIES

Hot water supply	max. +70°C
Working pressure	50 - 1000 kPa
Connection size	G3/8
Projection	133 mm
Backflow prevention (EN1717)	AA
Material	Brass

REGULATIONS

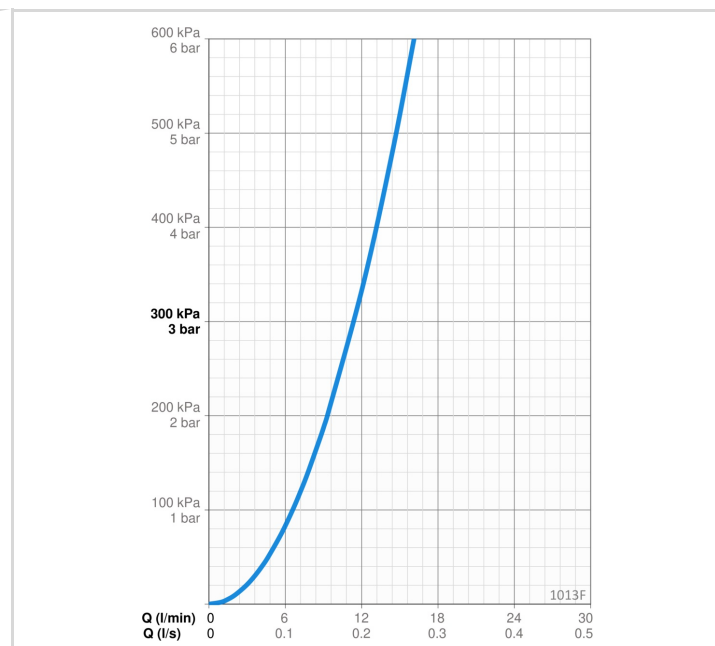
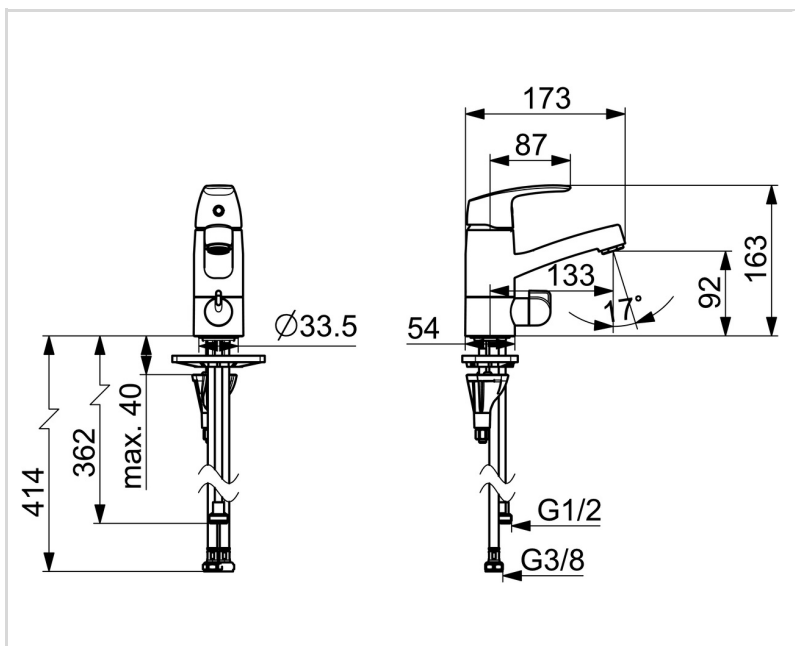
EN standard	EN 817
Noise class	I (ISO 3822)

APPROVALS AND DECLARATIONS

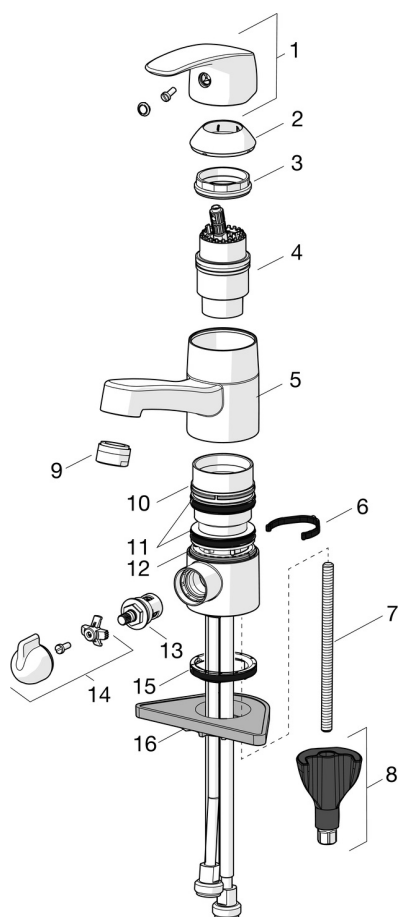
STF certificate	EUFI29-22005194-TH
Declaration of conformity	DoC
EPD	S-P-06391

SUSTAINABILITY

EPD module A1-A3 (kg CO2 eq.)	9,28
EPD module A4 (kg CO2 eq.)	0,26
EPD module B7 (kg CO2 eq.)	3522,60
EPD module C2 (kg CO2 eq.)	0,02
EPD module C3 (kg CO2 eq.)	0,02
EPD module C4 (kg CO2 eq.)	0,07
EPD module D (kg CO2 eq.)	-6,60



SPARE PARTS



SP1014

Name	Code
01 Lever Chrome	602502V
02 Covering cap Chrome	602589V
03 Tightening nut, M42x1.5, SW 38	158726
04 Cartridge	158890
05 Spout, L=132 Chrome	602520V
06 Spout overturning stopper, 120°	1001406/10
06 Spout overturning stopper, 40°-80°	1002207/10
07 Fixing screw, M8x1, L=130	1000780V
08 Fixing set	602610V
09 Aerator, M24x1 STD HC A Chrome	232211
10 Bearing ring	601097/10
11 X-sealing set	158735
12 Bearing ring	159423/10
13 Headpart, G1/2	602600V
14 Handle for washing machine valve Chrome	1005697V
15 Bottom seal	1002371V
16 Supporting plate, 100x60mm	158825