



1016-104 ORAS SAFIRA ECO UTILITY ROOM FAUCET

SINGLE-LEVER

EAN: 6414150100017 static.oras.com/1016-104



- Industry, ECO Building, Housing
- Wall mounted
- Chrome
- Fixed spout
- Single operating lever/handle, Hot/Cold symbols
- Limitation option for maximum temperature and flow-rate
- ø 40 mm ceramic cartridge for flow and temperature control

TECHNICAL DATA

FLOW PROPERTIES

Flow-rate at 300 kPa (with flow controller) **0.056 l/s**

TECHNICAL PROPERTIES

Hot water supply **max. +80°C**
Working pressure **50 - 1000 kPa**
Connection size **G3/4**
Installation width **150 ± 3 mm**
Projection **125 mm**
Backflow prevention (EN1717) **AA**
Material **Brass**

REGULATIONS

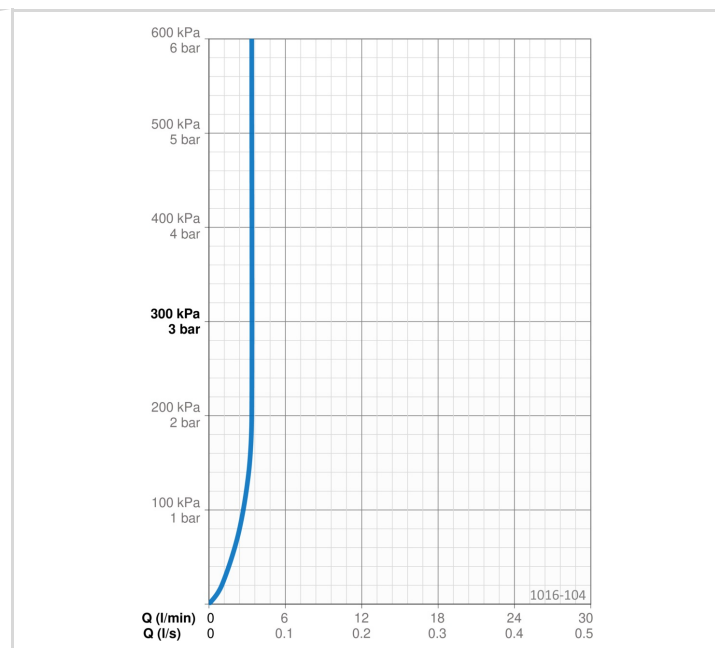
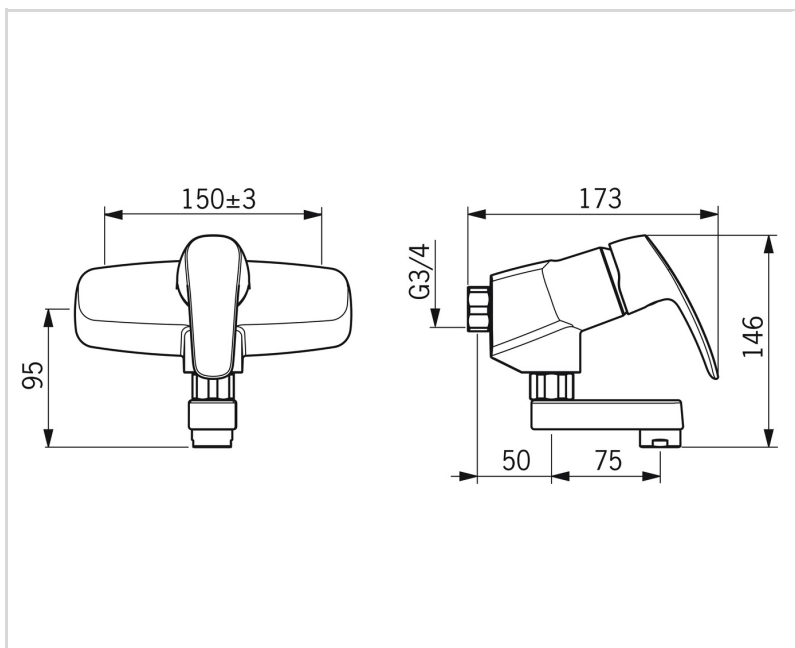
EN standard **EN 817**
Noise class **I (ISO 3822) Oras lab.**

APPROVALS AND DECLARATIONS

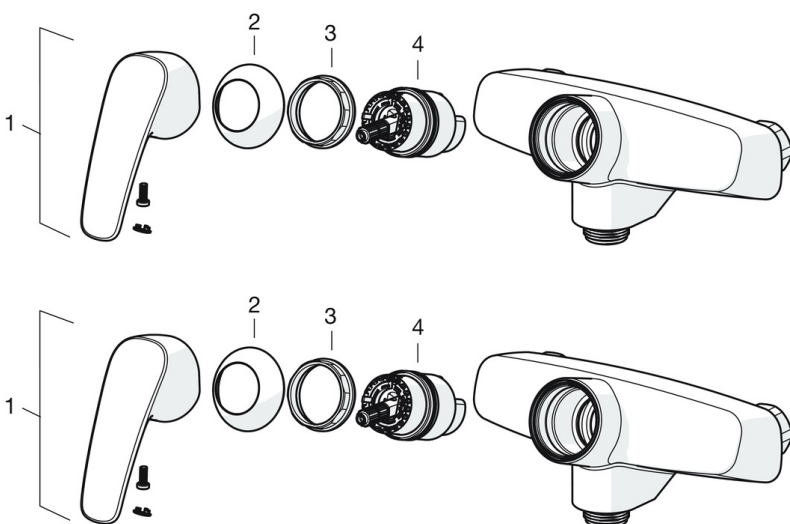
STF certificate **EUF129-22005196-TH**
Declaration of conformity **DoC**
EPD **S-P-06396**

SUSTAINABILITY

EPD module A1-A3 (kg CO2 eq.) **9,66**
EPD module A4 (kg CO2 eq.) **0,19**
EPD module B7 (kg CO2 eq.) **1323,84**
EPD module C2 (kg CO2 eq.) **0,01**
EPD module C3 (kg CO2 eq.) **0,02**
EPD module C4 (kg CO2 eq.) **0,29**
EPD module D (kg CO2 eq.) **-5,46**



SPARE PARTS



SP1070

Name	Code
01 Lever Chrome	602502V
02 Covering cap Chrome	1000785V
03 Tightening nut, M42x1.5, SW 38	158726
04 Cartridge	158890

SP0047

Name	Code
01 Aerator, M28x1 HC D Chrome	232213