



Kitchen faucet with high swivel spout. Spout's swing angle is factory preset at 120° (can be limited to 0° or 60°). There are also in-built limitation options for water temperature and maximum flow-rate.

F = with flexible pipes

- Deck mounted
- Chrome
- Swivel spout, Swivel range limiting option
- Standard aerator
- Single operating lever/handle, Hot/Cold symbols
- Limitation option for maximum temperature and flow-rate
- ø 40 mm ceramic cartridge for flow and temperature control
- Flexible inlet pipes
- 3S-installation system for safe and simple mounting

TECHNICAL DATA

FLOW PROPERTIES

Flow-rate at 300 kPa	0.21 l/s
Pressure loss with flow (0.2 l/s)	270 kPa

TECHNICAL PROPERTIES

Hot water supply	max. +70°C
Working pressure	50 - 1000 kPa
Connection size	G3/8
Projection	213 mm
Backflow prevention (EN1717)	AA
Material	Brass

REGULATIONS

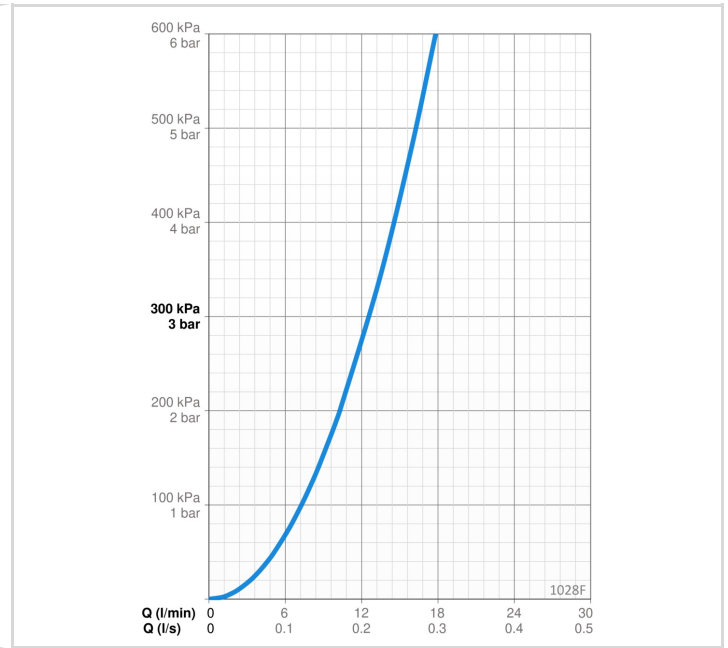
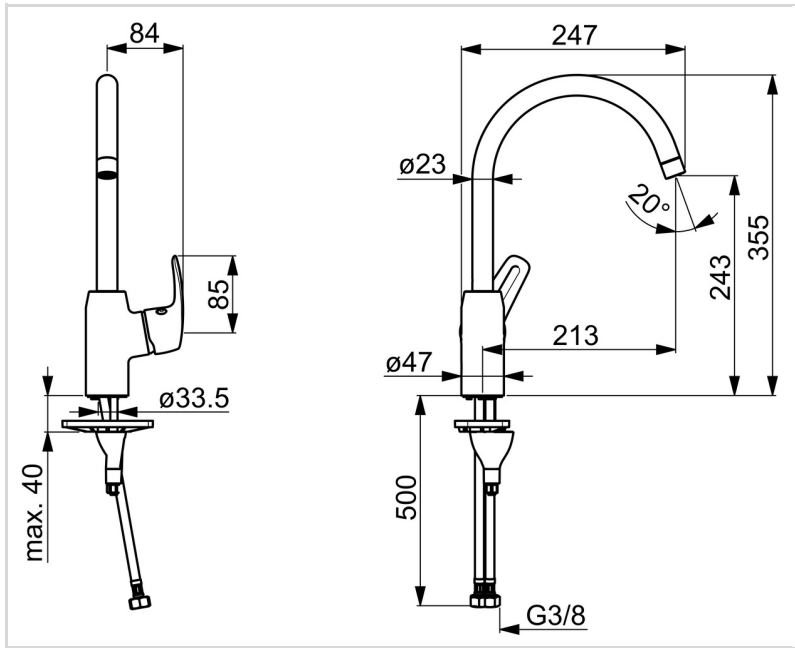
EN standard	EN 817
Noise class	I (ISO 3822)

APPROVALS AND DECLARATIONS

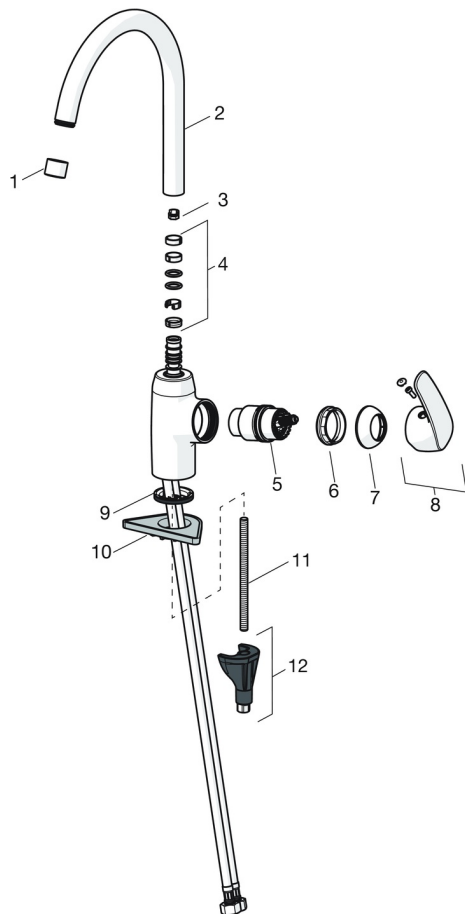
STF certificate	EUFI29-22005194-TH
Sintef	Sintef Nr. 0227
KIWA SE	1491
Declaration of conformity	DoC
EPD	S-P-06396

SUSTAINABILITY

EPD module A1-A3 (kg CO2 eq.)	9,94
EPD module A4 (kg CO2 eq.)	0,20
EPD module B7 (kg CO2 eq.)	4964,40
EPD module C2 (kg CO2 eq.)	0,01
EPD module C3 (kg CO2 eq.)	0,02
EPD module C4 (kg CO2 eq.)	0,30
EPD module D (kg CO2 eq.)	-5,62



SPARE PARTS



SP1028F

Name	Code
01 Aerator, M22x1 STD CC A Chrome	1001070V
02 High spout, L=208 Chrome	1001058V
03 Spout overturning stopper, 60°/0°	159667/10
03 Spout overturning stopper, 120°	159670/10
04 Sealing kit for spout	198287V
05 Cartridge	158890
06 Tightening nut, M42x1.5, SW 38	158726
07 Covering cap Chrome Discontinued	602503V
08 Lever Chrome	602502V
09 Bottom seal	1002371V
10 Supporting plate, 100x60mm	158825
11 Fixing screw, M8x1, L=130	1000780V
12 Fixing set	602610V