



1030FS-105 ORAS SAFIRA ECO KITCHEN FAUCET

SINGLE-LEVER

EAN: 6414150096310 static.oras.com/1030FS-105



- ECO Building
- Deck mounted
- Chrome
- Swivel spout, Swivel range limiting option, Profile construction
- Standard aerator
- Single operating lever/handle, Hot/Cold symbols
- Limitation option for maximum temperature and flow-rate
- ø 40 mm ceramic cartridge for flow and temperature control
- Flexible inlet pipes
- Inner body made of DZR brass, 3S-installation system for safe and simple mounting

TECHNICAL DATA

FLOW PROPERTIES

Flow-rate at 300 kPa (with flow controller) **0.07 l/s**

TECHNICAL PROPERTIES

Hot water supply **max. +70°C**
Working pressure **50 - 1000 kPa**
Connection size **G3/8**
Projection **213 mm**
Backflow prevention (EN1717) **AA**
Material **Brass**

REGULATIONS

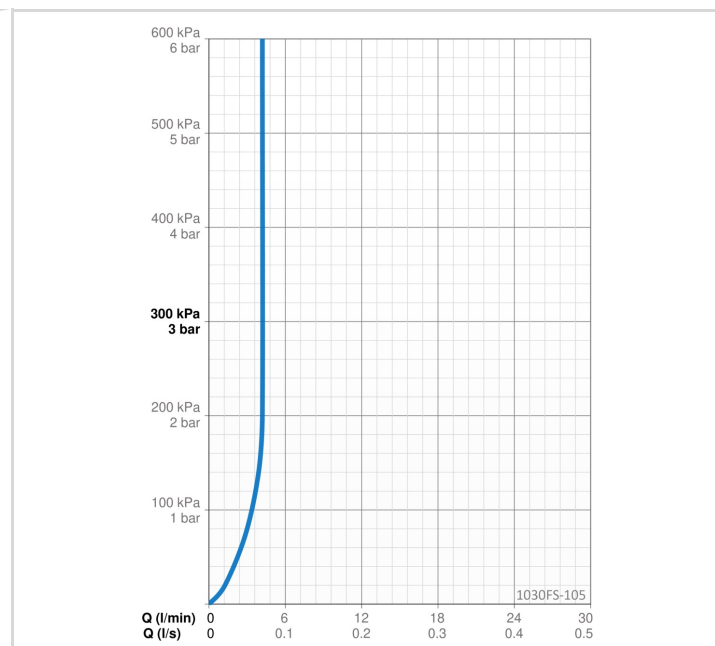
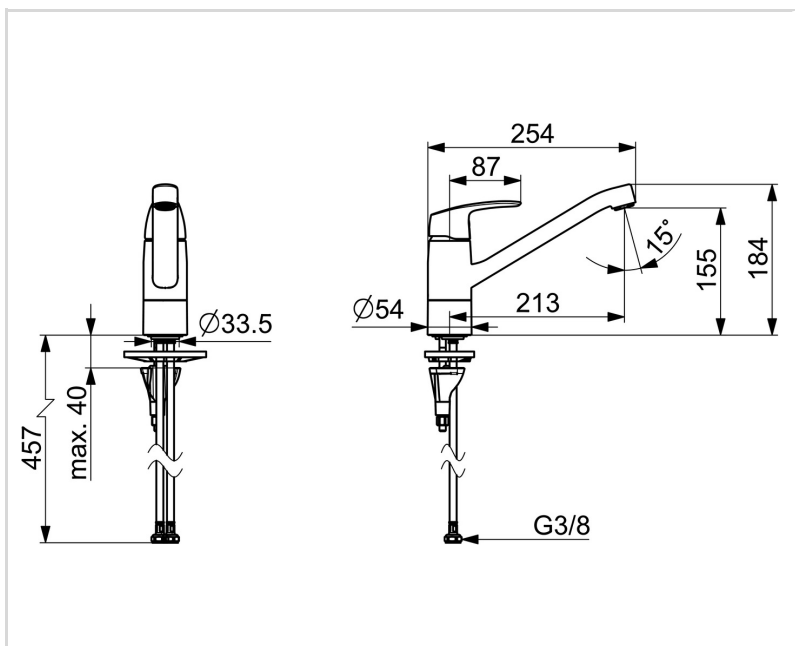
EN standard **EN 817**
Noise class **I (ISO 3822) Oras lab.**

APPROVALS AND DECLARATIONS

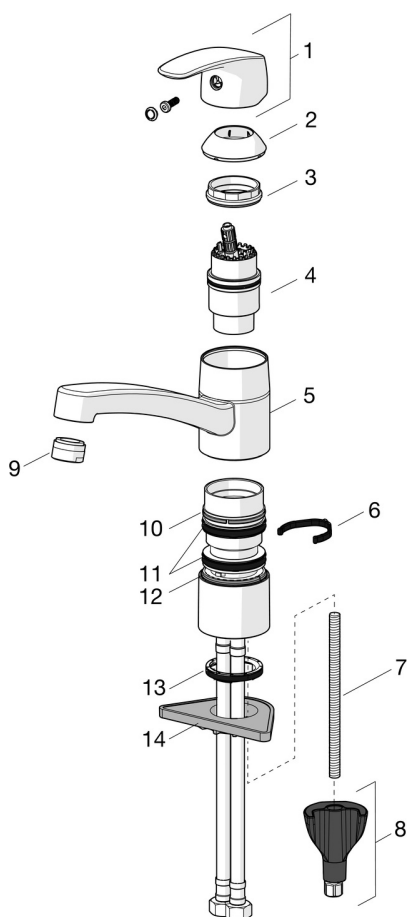
STF certificate **EUF129-22005194-TH**
Sintef **Sintef Nr. 0227**
KIWA SE **1491**
Declaration of conformity **DoC**
EPD **S-P-06396**

SUSTAINABILITY

EPD module A1-A3 (kg CO2 eq.) **11,12**
EPD module A4 (kg CO2 eq.) **0,22**
EPD module B7 (kg CO2 eq.) **1654,80**
EPD module C2 (kg CO2 eq.) **0,02**
EPD module C3 (kg CO2 eq.) **0,02**
EPD module C4 (kg CO2 eq.) **0,34**
EPD module D (kg CO2 eq.) **-6,28**



SPARE PARTS



SP1030F-GB

Name	Code
01 Lever Chrome	602502V
02 Covering cap Chrome	602589V
03 Tightening nut, M42x1.5, SW 38	158726
04 Cartridge	158890
04 Cartridge, Green building	600979V
05 Spout, L=210 Chrome	1005585V
06 Spout overturning stopper, 120°	1001406/10
06 Spout overturning stopper, 40°-80°	1002207/10
07 Fixing screw, M8x1, L=130	1000780V
08 Fixing set	602610V
09 Aerator, M24x1, -105	601166V
09 Aerator, M24x1, -104	601434V
09 Aerator, STD M24x1 HC 7.0 l/min Chrome	1013531V
10 Bearing ring	601097/10
11 X-sealing set	158735
12 Bearing ring	159423/10
13 Bottom seal	1002371V
14 Supporting plate, 100x60mm	158825