



- ECO Building
- Deck mounted
- Chrome
- Swivel spout, Swivel range limiting option
- Standard aerator
- Single operating lever/handle, Hot/Cold symbols
- Limitation option for maximum temperature and flow-rate
- ø 40 mm ceramic cartridge for flow and temperature control
- Flexible inlet pipes
- Inner body made of DZR brass, 3S-installation system for safe and simple mounting

## TECHNICAL DATA

### FLOW PROPERTIES

Flow-rate at 300 kPa (with flow controller)	<b>0.125 l/s</b>
---	------------------

### TECHNICAL PROPERTIES

Hot water supply	<b>max. +70°C</b>
Working pressure	<b>50 - 1000 kPa</b>
Connection size	<b>G3/8</b>
Projection	<b>213 mm</b>
Backflow prevention (EN1717)	<b>AA</b>
Material	<b>Brass</b>

### REGULATIONS

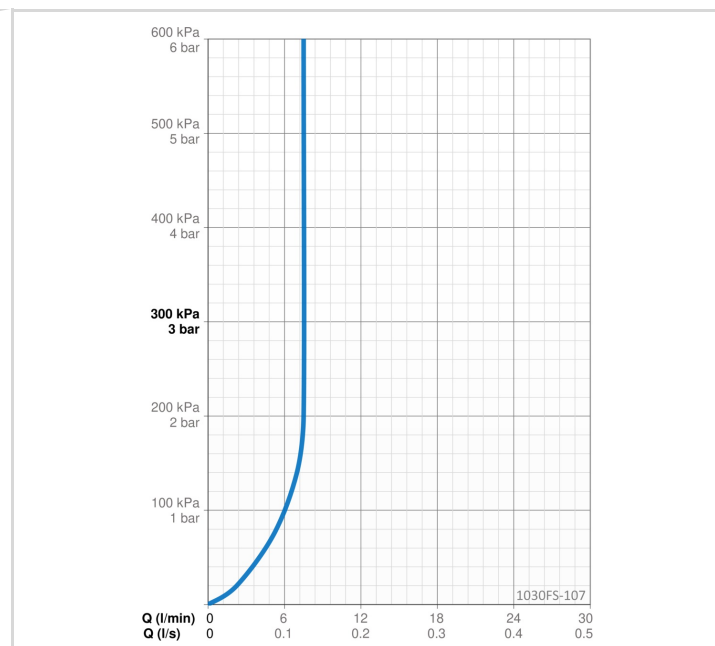
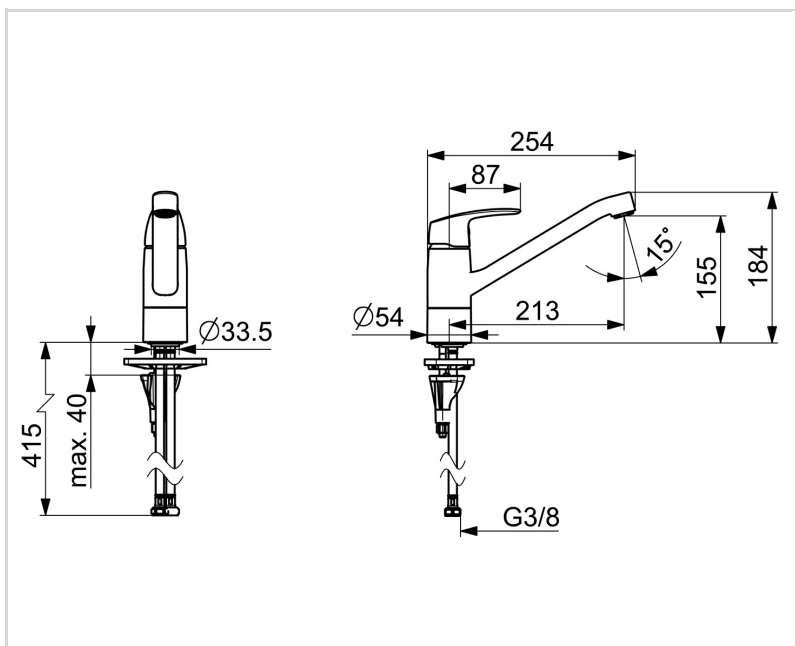
EN standard	<b>EN 817</b>
Noise class	<b>I (ISO 3822) Oras lab.</b>

### APPROVALS AND DECLARATIONS

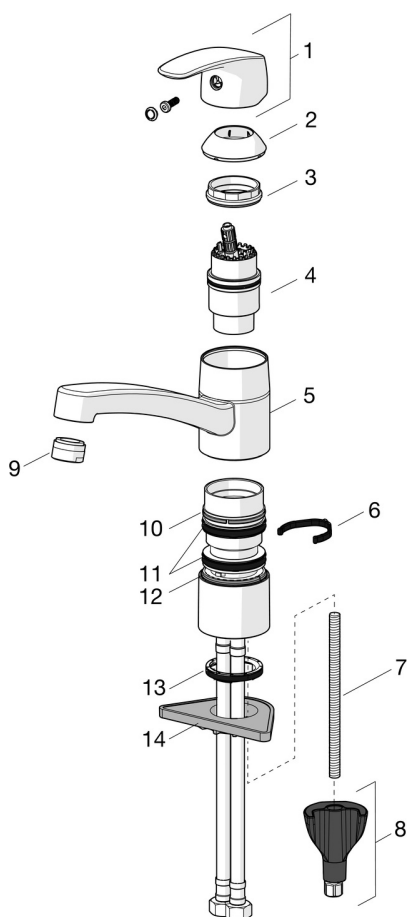
STF certificate	<b>EUF129-22005194-TH</b>
Sintef	<b>Sintef Nr. 0227</b>
KIWA SE	<b>1491</b>
Declaration of conformity	<b>DoC</b>
EPD	<b>S-P-06396</b>

### SUSTAINABILITY

EPD module A1-A3 (kg CO2 eq.)	<b>11,12</b>
EPD module A4 (kg CO2 eq.)	<b>0,22</b>
EPD module B7 (kg CO2 eq.)	<b>2955,00</b>
EPD module C2 (kg CO2 eq.)	<b>0,02</b>
EPD module C3 (kg CO2 eq.)	<b>0,02</b>
EPD module C4 (kg CO2 eq.)	<b>0,34</b>
EPD module D (kg CO2 eq.)	<b>-6,28</b>



**SPARE PARTS**



**SP1030F-GB**

Name	Code
01 Lever Chrome	602502V
02 Covering cap Chrome	602589V
03 Tightening nut, M42x1.5, SW 38	158726
04 Cartridge	158890
04 Cartridge, Green building	600979V
05 Spout, L=210 Chrome	1005585V
06 Spout overturning stopper, 120°	1001406/10
06 Spout overturning stopper, 40°-80°	1002207/10
07 Fixing screw, M8x1, L=130	1000780V
08 Fixing set	602610V
09 Aerator, M24x1, -105	601166V
09 Aerator, M24x1, -104	601434V
09 Aerator, STD M24x1 HC 7.0 l/min Chrome	1013531V
10 Bearing ring	601097/10
11 X-sealing set	158735
12 Bearing ring	159423/10
13 Bottom seal	1002371V
14 Supporting plate, 100x60mm	158825