



Washbasin faucet with high spout and Bidetta hand shower. Swivel spout and aerator. Spout's swing angle is factory preset at 120° (can be limited to 0° or 60°). There are also in-built limitation options for water temperature and maximum flow-rate.

- Deck mounted
- Chrome
- Swivel spout, Swivel range limiting option
- Single operating lever/handle, Hot/Cold symbols
- Hand shower, Shower holder, Shower hose (1750 mm)
- Bidetta hand shower
- Limitation option for maximum temperature and flow-rate
- Ø 40 mm ceramic cartridge for flow and temperature control
- Copper inlet pipes
- 3S-installation system for safe and simple mounting
- 1 spray function

TECHNICAL DATA

FLOW PROPERTIES

Flow-rate at 300 kPa	0.16 l/s
Pressure loss with flow (0.1 l/s)	110 kPa

TECHNICAL PROPERTIES

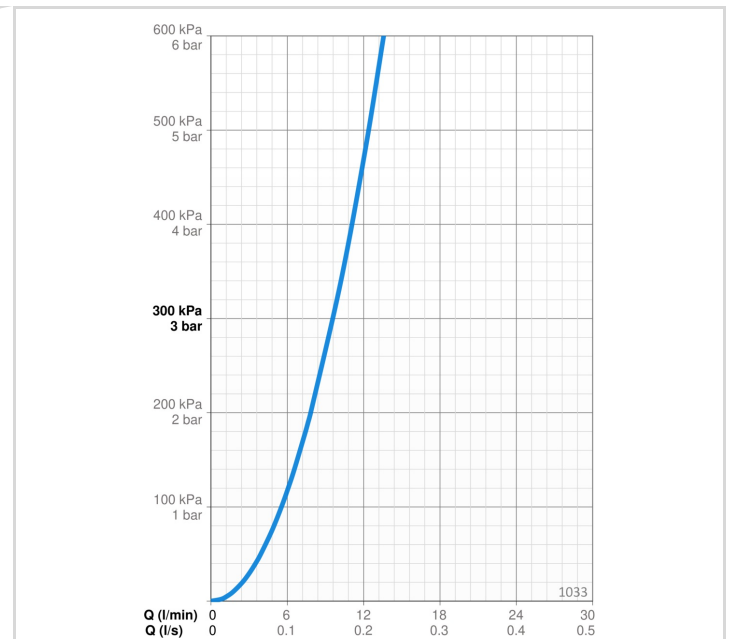
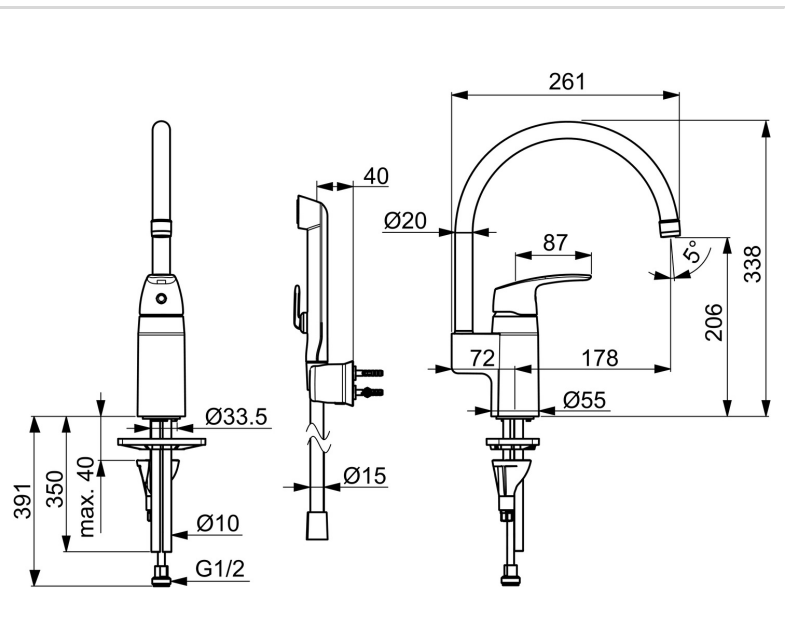
Hot water supply	max. +80°C
Working pressure	50 - 1000 kPa
Connection size	Ø 10 mm
Projection	178 mm
Backflow prevention (EN1717)	HC
Material	Brass

REGULATIONS

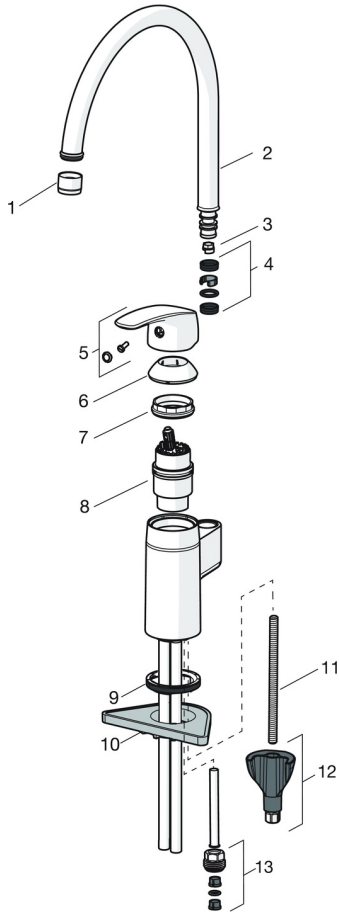
EN standard	EN 817, EN 1113
Noise class	I (ISO 3822)

APPROVALS AND DECLARATIONS

STF certificate	EUFI29-22005194-TH
KIWA SE	1490
Declaration of conformity	DoC



SPARE PARTS



SP1033

	Name	Code
01	Aerator, M22x1 HC B Chrome	232201
02	Spout Chrome	159695V
03	Spout overturning stopper, 60°/0°	159667/10
03	Spout overturning stopper, 60°/0°	159667V
03	Spout overturning stopper, 120°	159670/10
04	Sealing kit	159499
05	Lever Chrome	602502V
06	Covering cap Chrome	602589V
07	Tightening nut, M42x1.5, SW 38	158726
08	Cartridge	158890
09	Bottom seal	1002371V
10	Supporting plate, 100x60mm	158825
11	Fixing screw, M8x1, L=130	1000780V
12	Fixing set	602610V
13	Nipple	159684