



1035FS-105 ORAS SAFIRA ECO KITCHEN FAUCET WITH DISHWASHER VALVE

SINGLE-LEVER, DISHWASHER VALVE

EAN: 6414150096365 static.oras.com/1035FS-105



- ECO Building
- Deck mounted
- Chrome
- Swivel spout, Swivel range limiting option, Profile construction
- Standard aerator
- Mechanic stop valve for external equipment
- Single operating lever/handle, Hot/Cold symbols
- Limitation option for maximum temperature and flow-rate
- ø 40 mm ceramic cartridge for flow and temperature control
- Flexible inlet pipes
- Inner body made of DZR brass, 3S-installation system for safe and simple mounting

TECHNICAL DATA

FLOW PROPERTIES

Flow-rate at 300 kPa (with flow controller) **0.07 l/s**

TECHNICAL PROPERTIES

Hot water supply **max. +70°C**
Working pressure **50 - 1000 kPa**
Connection size **G3/8**
Projection **213 mm**
Backflow prevention (EN1717) **AA**
Material **Brass**

REGULATIONS

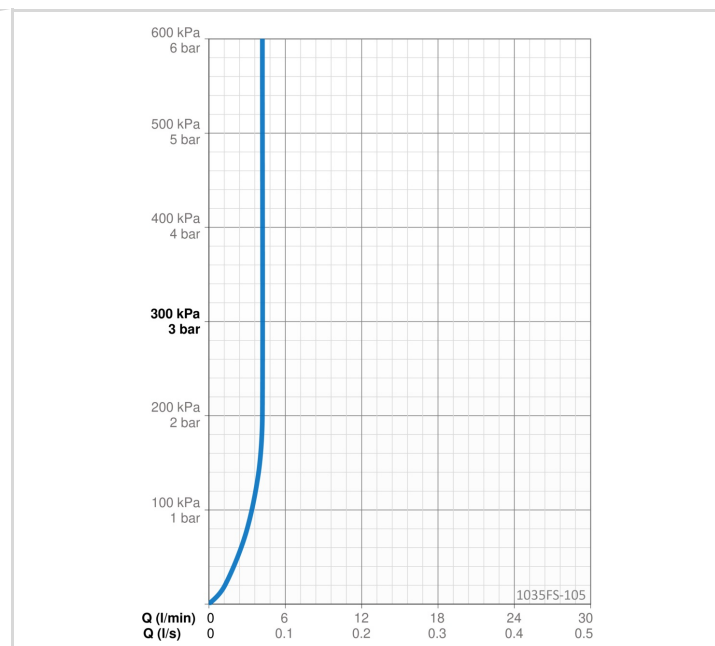
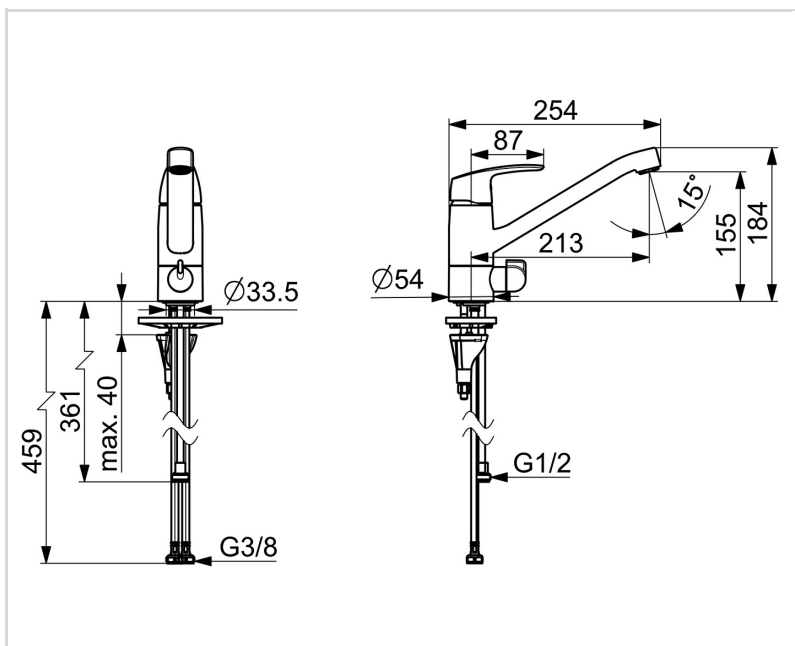
EN standard **EN 817**
Noise class **I (ISO 3822) Oras lab.**

APPROVALS AND DECLARATIONS

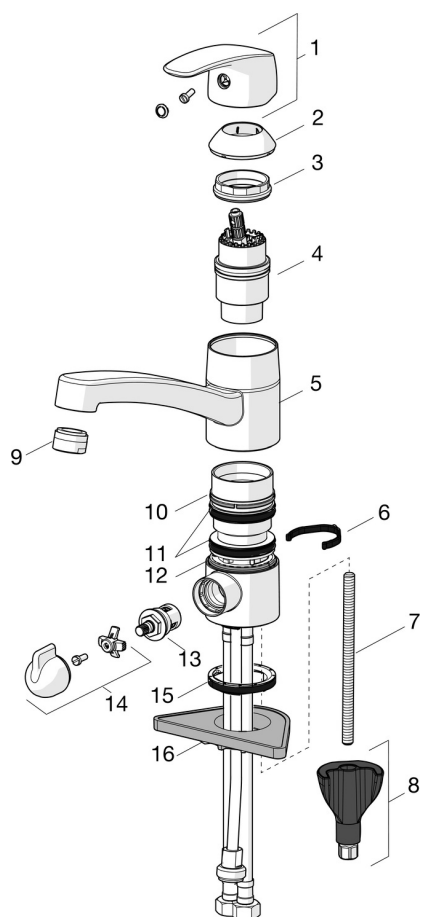
STF certificate **EUF129-22005194-TH**
Sintef **Sintef Nr. 0227**
KIWA SE **1491**
Declaration of conformity **DoC**
EPD **S-P-06396**

SUSTAINABILITY

EPD module A1-A3 (kg CO2 eq.) **13,14**
EPD module A4 (kg CO2 eq.) **0,26**
EPD module B7 (kg CO2 eq.) **1654,80**
EPD module C2 (kg CO2 eq.) **0,02**
EPD module C3 (kg CO2 eq.) **0,02**
EPD module C4 (kg CO2 eq.) **0,40**
EPD module D (kg CO2 eq.) **-7,43**



SPARE PARTS



SP1035F

| Name | Code |
|--|------------|
| 01 Lever Chrome | 602502V |
| 02 Covering cap Chrome | 602589V |
| 03 Tightening nut, M42x1.5, SW 38 | 158726 |
| 04 Cartridge | 158890 |
| 04 Cartridge, Green building | 600979V |
| 05 Spout, L=210 Chrome | 1005585V |
| 06 Spout overturning stopper, 40°-80° | 1002207/10 |
| 06 Spout overturning stopper, 120° | 1001406/10 |
| 07 Fixing screw, M8x1, L=130 | 1000780V |
| 08 Fixing set | 602610V |
| 09 Aerator, M24x1, -104 | 601434V |
| 09 Aerator, M24x1, -105 | 601166V |
| 09 Aerator, M24x1 STD HC B Chrome | 232210 |
| 10 Bearing ring | 601097/10 |
| 11 X-sealing set | 158735 |
| 12 Bearing ring | 159423/10 |
| 13 Headpart, G1/2 | 602600V |
| 14 Handle for washing machine valve Chrome | 1005697V |
| 15 Bottom seal | 1002371V |
| 16 Supporting plate, 100x60mm | 158825 |