



Utility room faucet. Wall-mounted utility room faucet with swivel spout (200 mm). There are also in-built limitation options for water temperature and maximum flow-rate.

- Wall mounted
- Chrome
- Swivel spout
- Single operating lever/handle, Hot/Cold symbols
- Limitation option for maximum temperature and flow-rate
- ø 40 mm ceramic cartridge for flow and temperature control

TECHNICAL DATA

FLOW PROPERTIES

Flow-rate at 300 kPa	0.27 l/s
Flow-rate at 300 kPa (with flow reducers)	0.2 l/s
Pressure loss 0.2 l/s (with flow reducers)	300 kPa
Pressure loss with flow (0.2 l/s)	160 kPa

TECHNICAL PROPERTIES

Hot water supply	max. +80°C
Working pressure	50 - 1000 kPa
Connection size	Ø10 mm
Installation width	150 ± 3 mm
Projection	200 mm
Backflow prevention (EN1717)	AA
Material	Brass

REGULATIONS

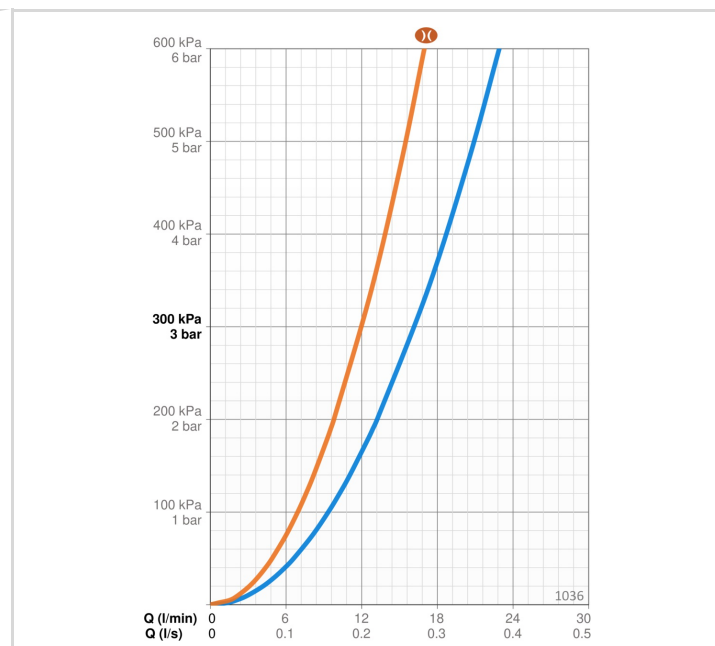
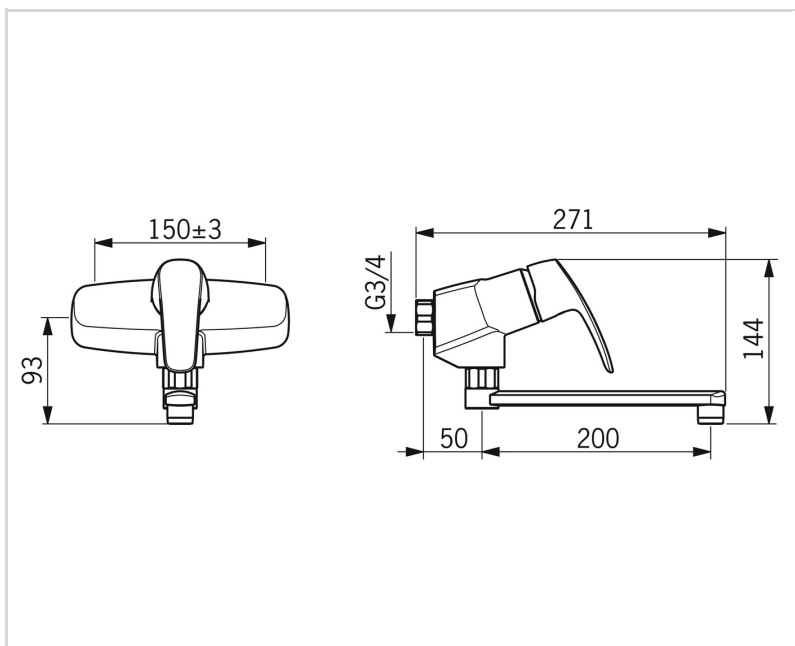
EN standard	EN 817
Noise class 0.2 l/s	I (ISO 3822)

APPROVALS AND DECLARATIONS

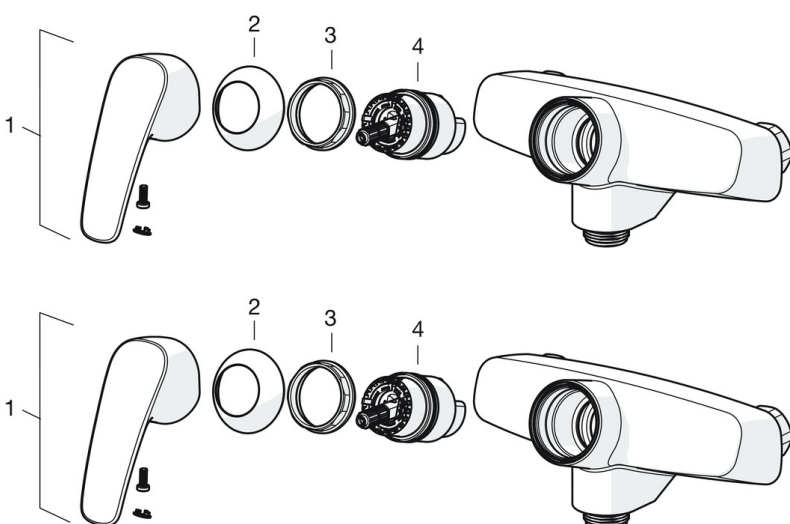
STF certificate	EUFI29-22005196-TH
Declaration of conformity	DoC
EPD	S-P-06396

SUSTAINABILITY

EPD module A1-A3 (kg CO2 eq.)	10,63
EPD module A4 (kg CO2 eq.)	0,21
EPD module B7 (kg CO2 eq.)	4728,00
EPD module C2 (kg CO2 eq.)	0,02
EPD module C3 (kg CO2 eq.)	0,02
EPD module C4 (kg CO2 eq.)	0,32
EPD module D (kg CO2 eq.)	-6,01



SPARE PARTS



SP1070

Name	Code
01 Lever Chrome	602502V
02 Covering cap Chrome	1000785V
03 Tightening nut, M42x1.5, SW 38	158726
04 Cartridge	158890

SP0044

Name	Code
01 O-ring, 13.6x2.4	469360/10
02 Bushing (10 pcs), 18/20.6 Chrome	219595/10
03 Retaining ring (10 pcs)	219563/10
04 Aerator, M22x1 HC B Chrome	232201