



Kitchen faucet with high spout. Swivel spout and aerator. Spout's swing angle is factory preset at 120° (can be limited to 0° or 60°). There are also in-built limitation options for water temperature and maximum flow-rate.

F = with flexible pipes

- ECO Building
- Deck mounted
- Chrome
- Swivel spout, Swivel range limiting option
- Standard aerator
- Single operating lever/handle
- Limitation option for maximum temperature and flow-rate
- ø 40 mm ceramic cartridge for flow and temperature control
- Flexible inlet pipes
- 3S-installation system for safe and simple mounting

TECHNICAL DATA

FLOW PROPERTIES

Flow-rate at 300 kPa (with flow controller)	0.07 l/s
---	-----------------

TECHNICAL PROPERTIES

DN-size (nominal dimension)	DN8
Hot water supply	max. +70°C
Working pressure	50-1000 kPa
Connection size	G3/8
Projection	178 mm
Backflow prevention (EN1717)	AA
Material	Brass

REGULATIONS

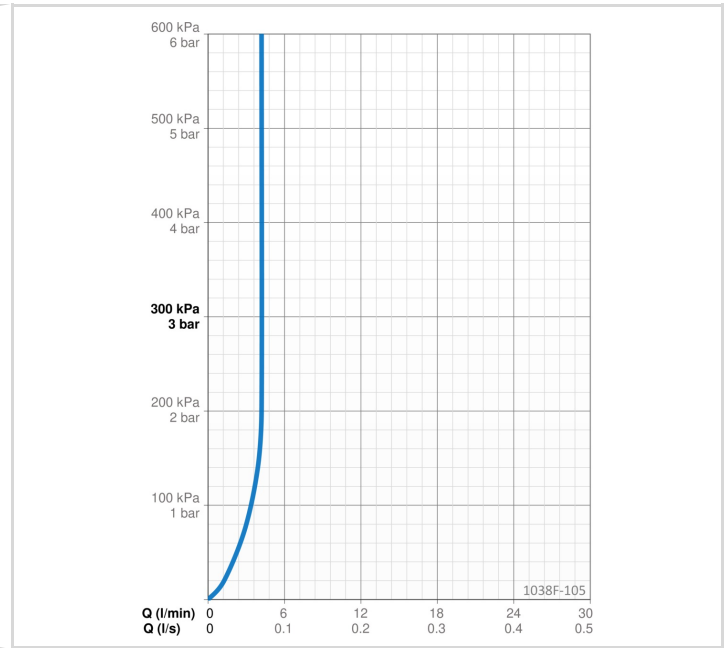
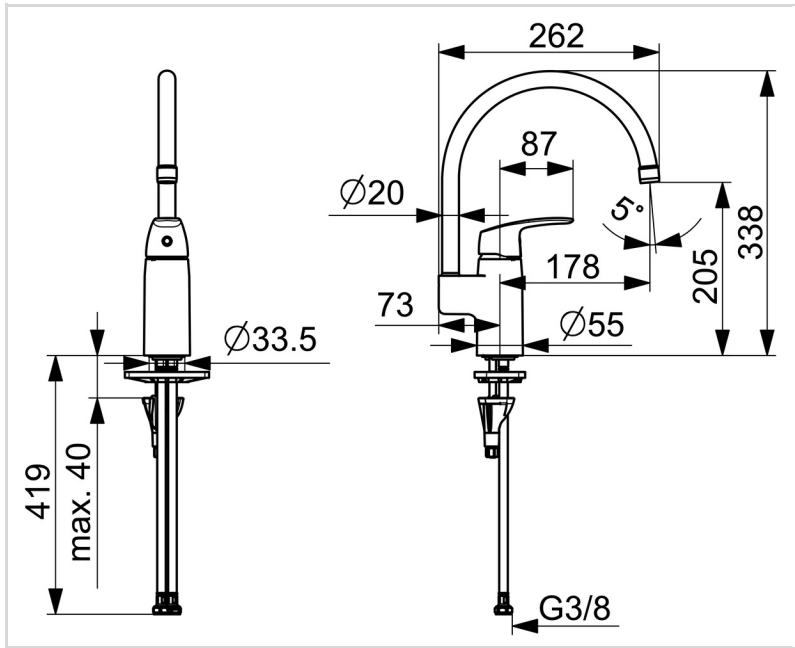
EN standard	EN 817
Noise class	I (ISO 3822)

APPROVALS AND DECLARATIONS

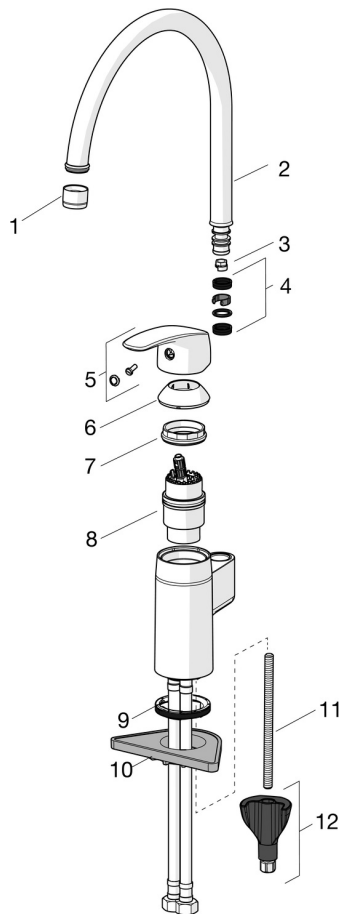
STF certificate	EUFI29-22005194-TH
KIWA SE	1491
Declaration of conformity	DoC
EPD	S-P-06396

SUSTAINABILITY

EPD module A1-A3 (kg CO2 eq.)	12,37
EPD module A4 (kg CO2 eq.)	0,25
EPD module B7 (kg CO2 eq.)	1654,80
EPD module C2 (kg CO2 eq.)	0,02
EPD module C3 (kg CO2 eq.)	0,02
EPD module C4 (kg CO2 eq.)	0,37
EPD module D (kg CO2 eq.)	-6,99



SPARE PARTS



SP1038F-GB

Name	Code
01 Aerator, M22x1, -105 Chrome	601167V
01 Aerator, STD M22x1 CC PCA 3.8 l/min Chrome	1010437V
02 Spout Chrome	159695V
03 Spout overturning stopper, 60°/0°	159667/10
03 Spout overturning stopper, 60°/0°	159667V
03 Spout overturning stopper, 120°	159670/10
04 Sealing kit	159499
05 Lever Chrome	602502V
06 Covering cap Chrome	602589V
07 Tightening nut, M42x1.5, SW 38	158726
08 Cartridge, Green building	600979V
09 Bottom seal	1002371V
10 Supporting plate, 100x60mm	158825
11 Fixing screw, M8x1, L=130	1000780V
12 Fixing set	602610V