



Kitchen faucet with high spout. Swivel spout and aerator. Spout's swing angle is factory preset at 120° (can be limited to 0° or 60°). There are also in-built limitation options for water temperature and maximum flow-rate.

F = with flexible pipes

- Deck mounted
- Chrome
- Swivel spout, Swivel range limiting option
- Standard aerator
- Single operating lever/handle, Hot/Cold symbols
- Limitation option for maximum temperature and flow-rate
- ø 40 mm ceramic cartridge for flow and temperature control
- Flexible inlet pipes
- 3S-installation system for safe and simple mounting

TECHNICAL DATA

FLOW PROPERTIES

| | |
|-----------------------------------|-----------------|
| Flow-rate at 300 kPa | 0.23 l/s |
| Pressure loss with flow (0.2 l/s) | 240 kPa |

TECHNICAL PROPERTIES

| | |
|------------------------------|----------------------|
| Hot water supply | max. +70°C |
| Working pressure | 50 - 1000 kPa |
| Connection size | G3/8 |
| Projection | 178 mm |
| Backflow prevention (EN1717) | AA |
| Material | Brass |

REGULATIONS

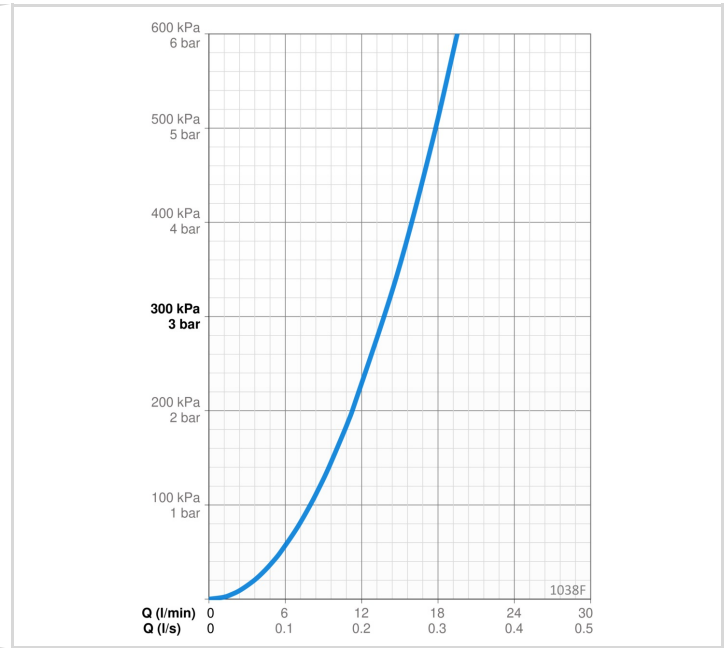
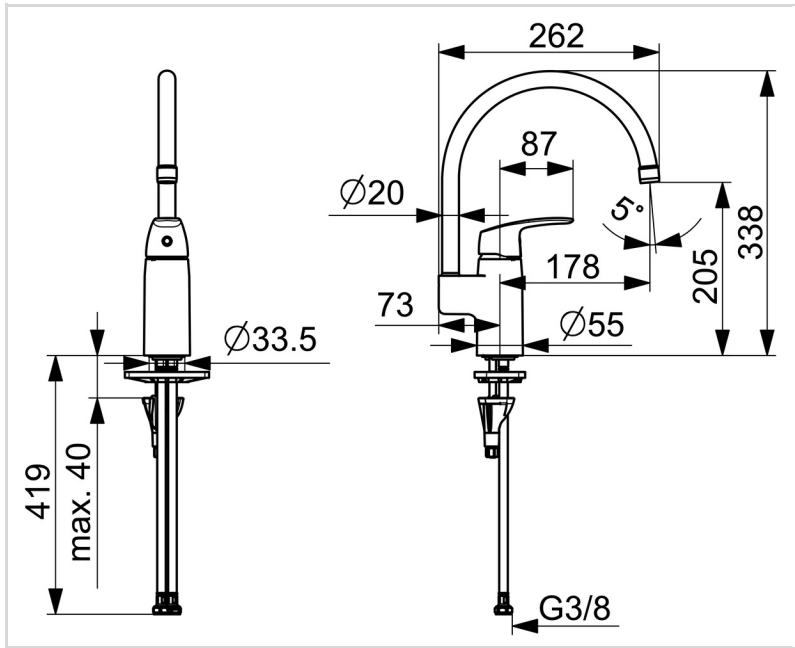
| | |
|-------------|---------------------|
| EN standard | EN 817 |
| Noise class | I (ISO 3822) |

APPROVALS AND DECLARATIONS

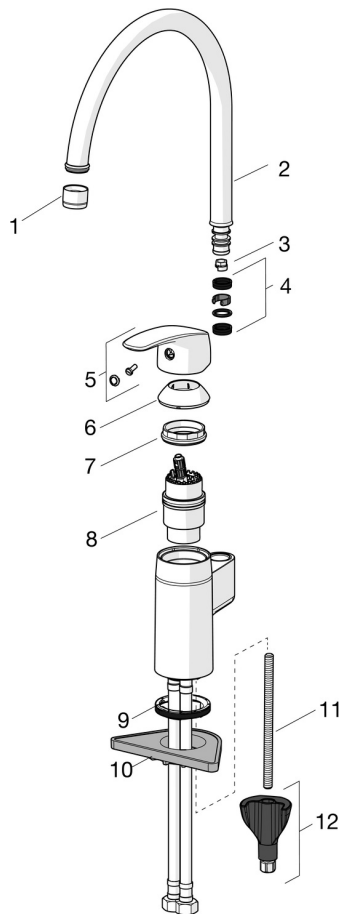
| | |
|---------------------------|---------------------------|
| STF certificate | EUFI29-22005194-TH |
| Sintef | Sintef Nr. 0227 |
| KIWA SE | 1491 |
| Declaration of conformity | DoC |
| EPD | S-P-06396 |

SUSTAINABILITY

| | |
|-------------------------------|----------------|
| EPD module A1-A3 (kg CO2 eq.) | 12,63 |
| EPD module A4 (kg CO2 eq.) | 0,25 |
| EPD module B7 (kg CO2 eq.) | 5437,20 |
| EPD module C2 (kg CO2 eq.) | 0,02 |
| EPD module C3 (kg CO2 eq.) | 0,02 |
| EPD module C4 (kg CO2 eq.) | 0,38 |
| EPD module D (kg CO2 eq.) | -7,14 |



SPARE PARTS



SP1038F

| Name | Code |
|--------------------------------------|-----------|
| 01 Aerator, M22x1 HC B Chrome | 232201 |
| 02 Spout Chrome | 159695V |
| 03 Spout overturning stopper, 60°/0° | 159667/10 |
| 03 Spout overturning stopper, 60°/0° | 159667V |
| 03 Spout overturning stopper, 120° | 159670/10 |
| 04 Sealing kit | 159499 |
| 05 Lever Chrome | 602502V |
| 06 Covering cap Chrome | 602589V |
| 07 Tightening nut, M42x1.5, SW 38 | 158726 |
| 08 Cartridge | 158890 |
| 09 Bottom seal | 1002371V |
| 10 Supporting plate, 100x60mm | 158825 |
| 11 Fixing screw, M8x1, L=130 | 1000780V |
| 12 Fixing set | 602610V |