



1039 ORAS SAFIRA KITCHEN FAUCET WITH DISHWASHER VALVE

DISCONTINUED

SINGLE-LEVER, DISHWASHER VALVE

EAN: 6414150078941 static.oras.com/1039

Kitchen faucet with high spout and dishwasher valve with ceramic cartridge 90° rotation for ON/OFF. Swivel spout and aerator. Spout's swing angle is factory preset at 120° (can be limited to 0° or 60°). The spout can be fixed in position on the left or right or at the back of the faucet. There are also in-built limitation options for water temperature and maximum flow-rate.



- Deck mounted
- Chrome
- Swivel spout, Swivel range limiting option
- Mechanic stop valve for external equipment
- Single operating lever/handle, Hot/Cold symbols
- Limitation option for maximum temperature and flow-rate
- ø 40 mm ceramic cartridge for flow and temperature control
- Copper inlet pipes
- 3S-installation system for safe and simple mounting

TECHNICAL DATA

FLOW PROPERTIES

Flow-rate at 300 kPa	0.27 l/s
Pressure loss with flow (0.2 l/s)	160 kPa

TECHNICAL PROPERTIES

Hot water supply	max. +80°C
Working pressure	50 - 1000 kPa
Connection size	Ø10 mm
Projection	178 mm
Backflow prevention (EN1717)	AA
Material	Brass

REGULATIONS

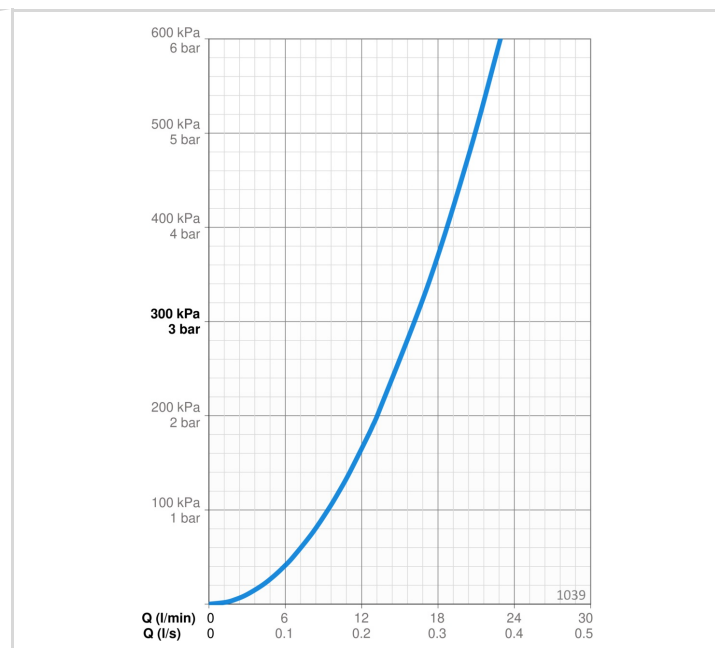
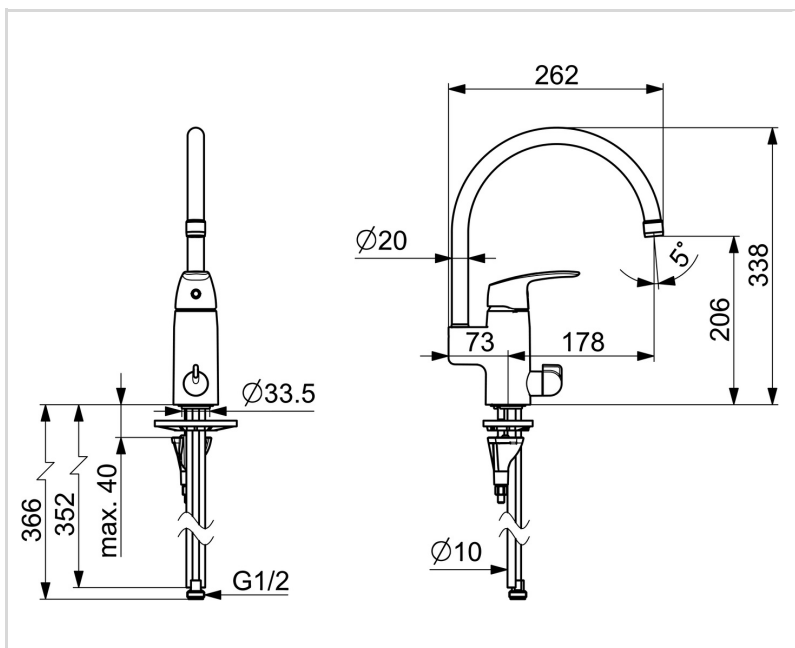
EN standard	EN 817
Noise class	I (ISO 3822)

APPROVALS AND DECLARATIONS

KIWA SE	1491
Declaration of conformity	DoC
EPD	S-P-06396

SUSTAINABILITY

EPD module A1-A3 (kg CO2 eq.)	13,34
EPD module A4 (kg CO2 eq.)	0,27
EPD module B7 (kg CO2 eq.)	6382,80
EPD module C2 (kg CO2 eq.)	0,02
EPD module C3 (kg CO2 eq.)	0,02
EPD module C4 (kg CO2 eq.)	0,40
EPD module D (kg CO2 eq.)	-7,54



SPARE PARTS



SP1039F

Name	Code
01 Aerator, M22x1 HC B Chrome	232201
02 Spout Chrome	159695V
03 Spout overturning stopper, 60°/0°	159667/10
03 Spout overturning stopper, 60°/0°	159667V
03 Spout overturning stopper, 120°	159670/10
04 Sealing kit	159499
05 Lever Chrome	602502V
06 Covering cap Chrome	602589V
07 Tightening nut, M42x1.5, SW 38	158726
08 Cartridge	158890
09 Headpart, G1/2	602600V
10 Handle for washing machine valve Chrome	1005697V
11 Bottom seal	1002371V
12 Supporting plate, 100x60mm	158825
13 Fixing screw, M8x1, L=130	1000780V
14 Fixing set	602610V