



# 1039F-104 ORAS SAFIRA ECO KITCHEN FAUCET WITH DISHWASHER VALVE

SINGLE-LEVER, DISHWASHER VALVE

EAN: 6414150098758 [static.oras.com/1039F-104](http://static.oras.com/1039F-104)

Kitchen faucet with high spout and dishwasher valve with ceramic valve 90° rotation for ON/OFF. Spout's swing angle is factory preset at 120° (can be limited to 0° or 60°). There are also in-built limitation options for water temperature and maximum flow-rate. F = with flexible pipes



- ECO Building
- Deck mounted
- Chrome
- Swivel spout, Swivel range limiting option
- Standard aerator
- Mechanic stop valve for external equipment
- Single operating lever/handle, Hot/Cold symbols
- Limitation option for maximum temperature and flow-rate
- ø 40 mm ceramic cartridge for flow and temperature control
- Flexible inlet pipes
- 3S-installation system for safe and simple mounting

## TECHNICAL DATA

### FLOW PROPERTIES

Flow-rate at 300 kPa (with flow controller) **0.056 l/s**

### TECHNICAL PROPERTIES

DN-size (nominal dimension) **DN8**  
Hot water supply **max. +70°C**  
Working pressure **50-1000 kPa**  
Connection size **G3/8**  
Projection **178 mm**  
Backflow prevention (EN1717) **AA**  
Material **Brass**

### REGULATIONS

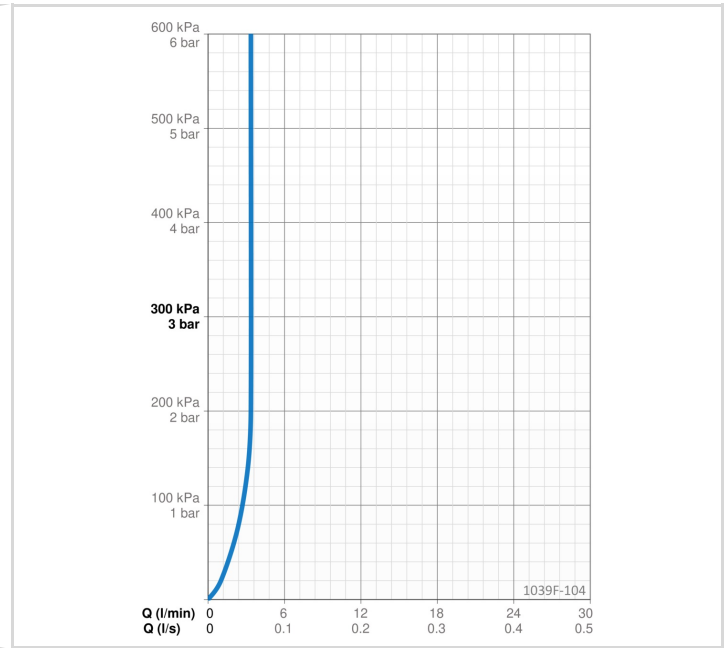
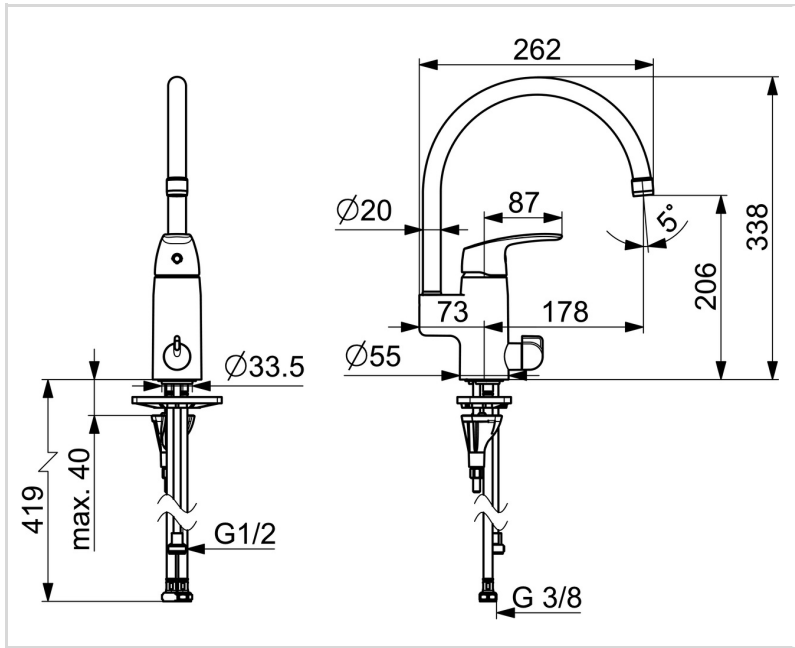
EN standard **EN 817**  
Noise class **I (ISO 3822)**

### APPROVALS AND DECLARATIONS

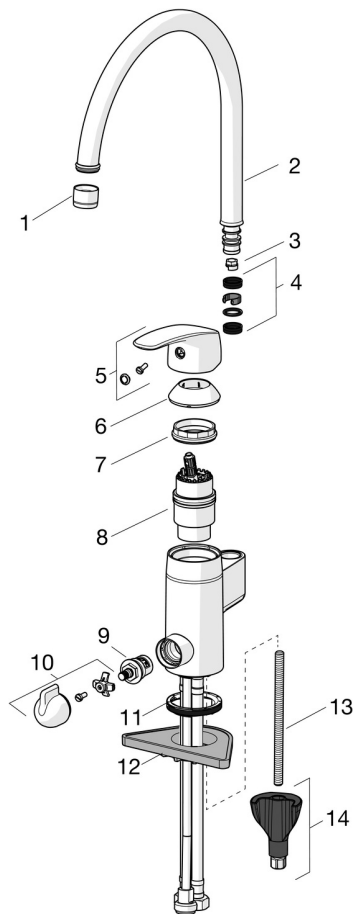
STF certificate **EUFI29-22005194-TH**  
KIWA SE **1491**  
Declaration of conformity **DoC**  
EPD **S-P-06396**

### SUSTAINABILITY

EPD module A1-A3 (kg CO2 eq.) **12,86**  
EPD module A4 (kg CO2 eq.) **0,26**  
EPD module B7 (kg CO2 eq.) **1323,84**  
EPD module C2 (kg CO2 eq.) **0,02**  
EPD module C3 (kg CO2 eq.) **0,02**  
EPD module C4 (kg CO2 eq.) **0,39**  
EPD module D (kg CO2 eq.) **-7,27**



**SPARE PARTS**



**SP1039F-GB**

Name	Code
01 Aerator, M22x1, -105 Chrome	601167V
01 Aerator, STD M22x1 CC PCA 3.8 l/min Chrome	1010437V
02 Spout Chrome	159695V
03 Spout overturning stopper, 60°/0°	159667/10
03 Spout overturning stopper, 60°/0°	159667V
03 Spout overturning stopper, 120°	159670/10
04 Sealing kit	159499
05 Lever Chrome	602502V
06 Covering cap Chrome	602589V
07 Tightening nut, M42x1.5, SW 38	158726
08 Cartridge, Green building	600979V
09 Headpart, G1/2	602600V
10 Handle for washing machine valve Chrome	1005697V
11 Bottom seal	1002371V
12 Supporting plate, 100x60mm	158825
13 Fixing screw, M8x1, L=130	1000780V
14 Fixing set	602610V