



# 1039F ORAS SAFIRA KITCHEN FAUCET WITH DISHWASHER VALVE

SINGLE-LEVER, DISHWASHER VALVE

EAN: 6414150078958 [static.oras.com/1039F](http://static.oras.com/1039F)

Kitchen faucet with high spout and dishwasher valve with ceramic valve 90° rotation for ON/OFF. Spout's swing angle is factory preset at 120° (can be limited to 0° or 60°). There are also in-built limitation options for water temperature and maximum flow-rate. F = with flexible pipes



- Deck mounted
- Chrome
- Swivel spout, Swivel range limiting option
- Standard aerator
- Mechanic stop valve for external equipment
- Single operating lever/handle, Hot/Cold symbols
- Limitation option for maximum temperature and flow-rate
- ø 40 mm ceramic cartridge for flow and temperature control
- Flexible inlet pipes
- 3S-installation system for safe and simple mounting

## TECHNICAL DATA

### FLOW PROPERTIES

Flow-rate at 300 kPa	0.23 l/s
Pressure loss with flow (0.2 l/s)	240 kPa

### TECHNICAL PROPERTIES

Hot water supply	max. +70°C
Working pressure	50 - 1000 kPa
Connection size	G3/8
Projection	178 mm
Backflow prevention (EN1717)	AA
Material	Brass

### REGULATIONS

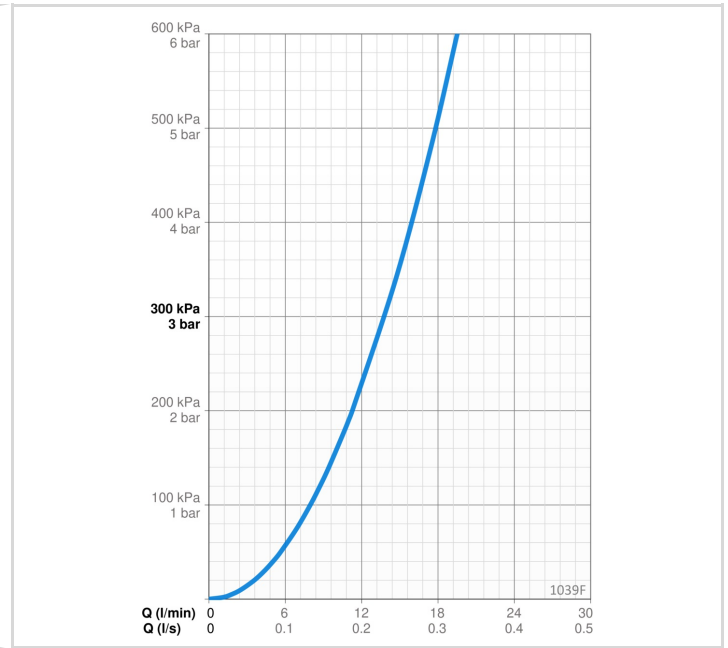
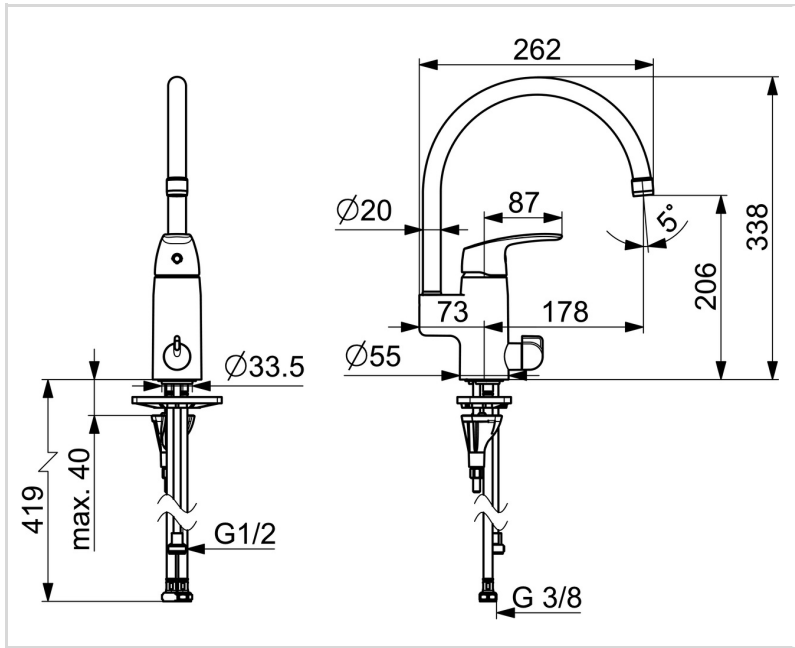
EN standard	EN 817
Noise class	I (ISO 3822)

### APPROVALS AND DECLARATIONS

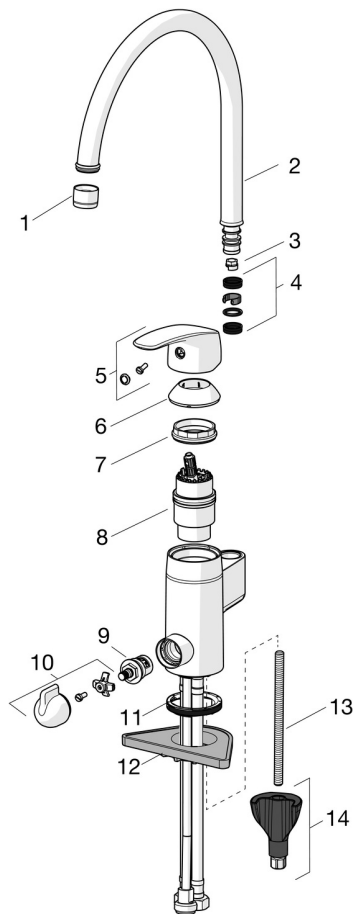
STF certificate	EUFI29-22005194-TH
Sintef	Sintef Nr. 0227
KIWA SE	1491
Declaration of conformity	DoC
EPD	S-P-06396

### SUSTAINABILITY

EPD module A1-A3 (kg CO2 eq.)	13,12
EPD module A4 (kg CO2 eq.)	0,26
EPD module B7 (kg CO2 eq.)	5437,20
EPD module C2 (kg CO2 eq.)	0,02
EPD module C3 (kg CO2 eq.)	0,02
EPD module C4 (kg CO2 eq.)	0,40
EPD module D (kg CO2 eq.)	-7,42



**SPARE PARTS**



**SP1039F**

Name	Code
01 Aerator, M22x1 HC B Chrome	232201
02 Spout Chrome	159695V
03 Spout overturning stopper, 60°/0°	159667/10
03 Spout overturning stopper, 60°/0°	159667V
03 Spout overturning stopper, 120°	159670/10
04 Sealing kit	159499
05 Lever Chrome	602502V
06 Covering cap Chrome	602589V
07 Tightening nut, M42x1.5, SW 38	158726
08 Cartridge	158890
09 Headpart, G1/2	602600V
10 Handle for washing machine valve Chrome	1005697V
11 Bottom seal	1002371V
12 Supporting plate, 100x60mm	158825
13 Fixing screw, M8x1, L=130	1000780V
14 Fixing set	602610V