



1040 ORAS SAFIRA BATH AND SHOWER FAUCET

DISCONTINUED

SINGLE-LEVER

EAN: 6414150078989 static.oras.com/1040

Bath and shower faucet. Fixed spout, diverter and aerator. There are also in-built limitation options for water temperature and maximum flow-rate.



- Wall mounted
- Chrome
- Fixed spout
- Standard aerator
- Single operating lever/handle, Hot/Cold symbols
- Pull operated diverter
- Limitation option for maximum temperature and flow-rate
- Non-return valve(s), \varnothing 40 mm ceramic cartridge for flow and temperature control

TECHNICAL DATA

FLOW PROPERTIES

Flow-rate at 300 kPa	0.33 l/s
Pressure loss with flow (0.2 l/s)	160 kPa
Pressure loss with flow (0.3 l/s)	295 kPa

TECHNICAL PROPERTIES

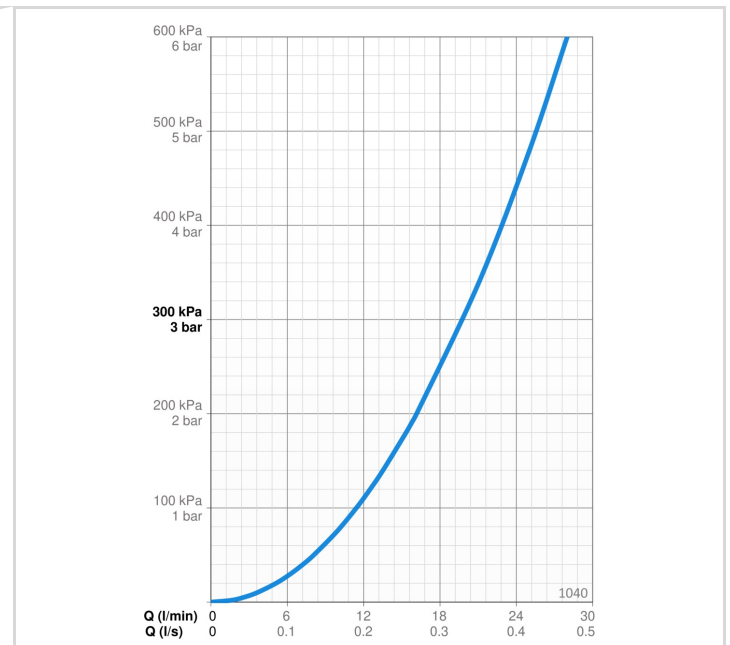
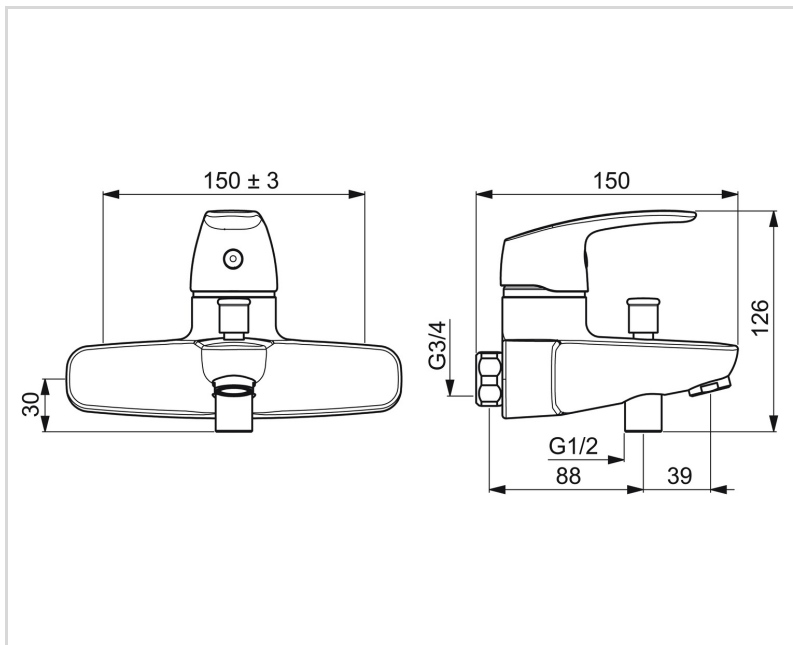
Hot water supply	max. +80°C
Working pressure	50 - 1000 kPa
Connection size	G1/2
Installation width	150 ± 3 mm
Projection	161 mm
Backflow prevention (EN1717)	EB
Material	Brass

REGULATIONS

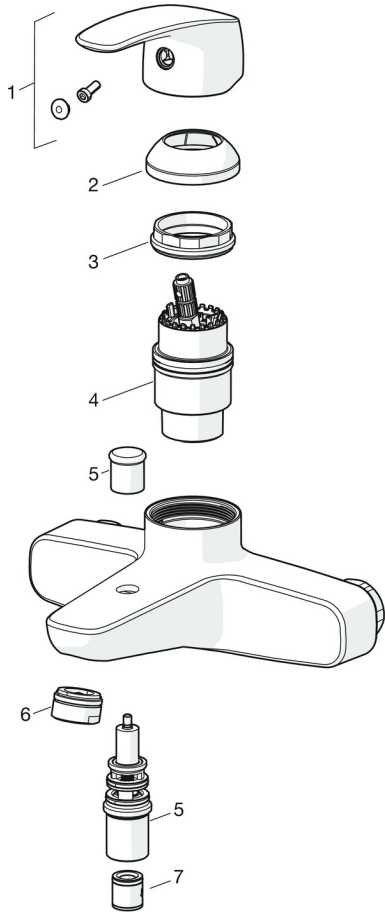
EN standard	EN 817
Noise class	II (ISO 3822) Oras lab.

APPROVALS AND DECLARATIONS

Declaration of conformity	DoC
---------------------------	-----



SPARE PARTS



SP1040

	Name	Code
01	Lever Chrome	602502V
02	Covering cap Chrome Discontinued	602503V
03	Tightening nut, M42x1.5, SW 38	158726
04	Cartridge	158890
05	Diverter Chrome	602103V
06	Aerator, STD M24x1 LL C Chrome	601987V
07	Non-return valve	601989V