



1040U ORAS SAFIRA BATH AND SHOWER

FAUCET

DISCONTINUED

SINGLE-LEVER

EAN: 6414150078996 static.oras.com/1040U

Bath and shower faucet. Fixed spout, diverter and aerator. Eccentric unions with silencer and cover plates are included. There are also in-built limitation options for water temperature and maximum flow-rate.



- Wall mounted
- Chrome
- Fixed spout
- Standard aerator
- Single operating lever/handle, Hot/Cold symbols
- Pull operated diverter
- Limitation option for maximum temperature and flow-rate
- Non-return valve(s), \varnothing 40 mm ceramic cartridge for flow and temperature control
- Eccentric coupling(s), Cover plate(s), Silencer(s)

TECHNICAL DATA

FLOW PROPERTIES

Flow-rate at 300 kPa	0.33 l/s
Pressure loss with flow (0.2 l/s)	160 kPa
Pressure loss with flow (0.3 l/s)	295 kPa

TECHNICAL PROPERTIES

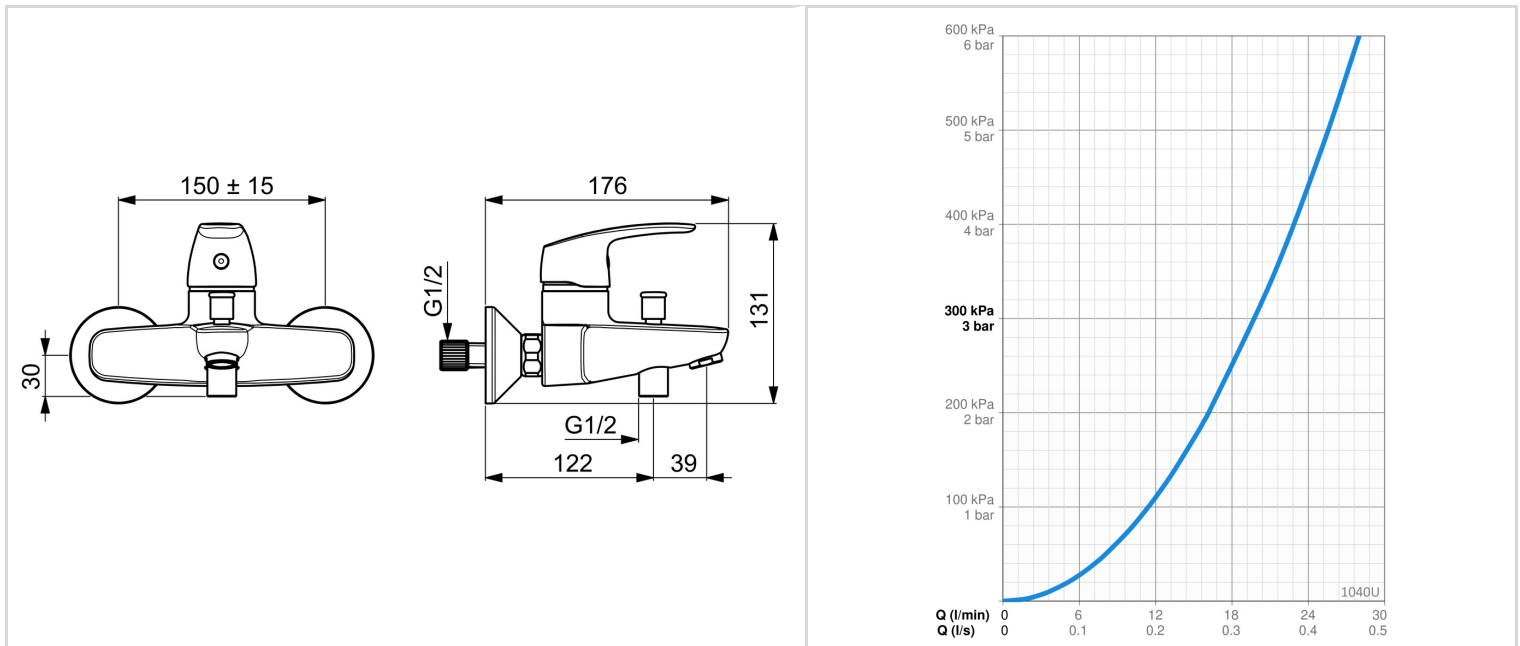
Hot water supply	max. +80°C
Working pressure	50 - 1000 kPa
Connection size	G1/2
Installation width	150 ± 15 mm
Projection	166 mm
Backflow prevention (EN1717)	EB
Material	Brass

REGULATIONS

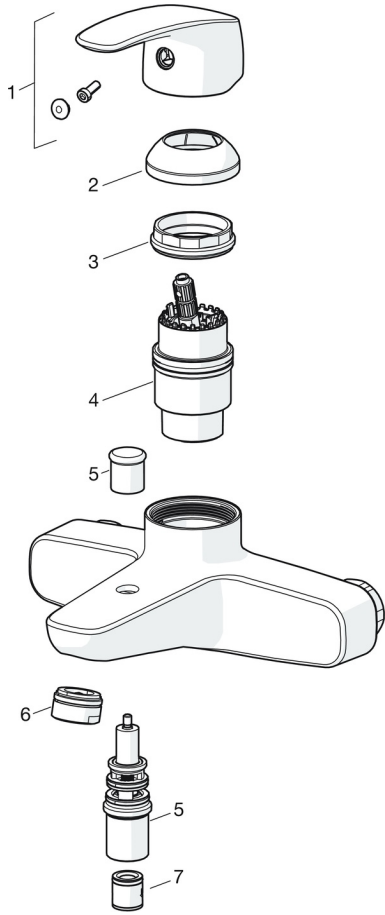
EN standard	EN 817
Noise class	I (ISO 3822) Oras lab.

APPROVALS AND DECLARATIONS

Declaration of conformity	DoC
---------------------------	-----



SPARE PARTS



SP1040

	Name	Code
01	Lever Chrome	602502V
02	Covering cap Chrome Discontinued	602503V
03	Tightening nut, M42x1.5, SW 38	158726
04	Cartridge	158890
05	Diverter Chrome	602103V
06	Aerator, STD M24x1 LL C Chrome	601987V
07	Non-return valve	601989V