



1054 ORAS SAFIRA SHOWER FAUCET, 160CC

SINGLE-LEVER

EAN: 6414150078361 static.oras.com/1054



Shower faucet, G3/4. There are also in-built limitation options for water temperature and maximum flow-rate.

- Wall mounted
- Chrome
- Single operating lever/handle, Hot/Cold symbols
- Limitation option for maximum temperature and flow-rate
- \varnothing 40 mm ceramic cartridge for flow and temperature control

TECHNICAL DATA

FLOW PROPERTIES

Flow-rate at 300 kPa	0.26 l/s
Flow-rate at 300 kPa (with flow reducers)	0.2 l/s
Pressure loss 0.2 l/s (with flow reducers)	300 kPa
Pressure loss with flow (0.2 l/s)	180 kPa

TECHNICAL PROPERTIES

Hot water supply	max. +80°C
Working pressure	50 - 1000 kPa
Connection size	G3/4
Installation width	160 mm
Material	Brass

REGULATIONS

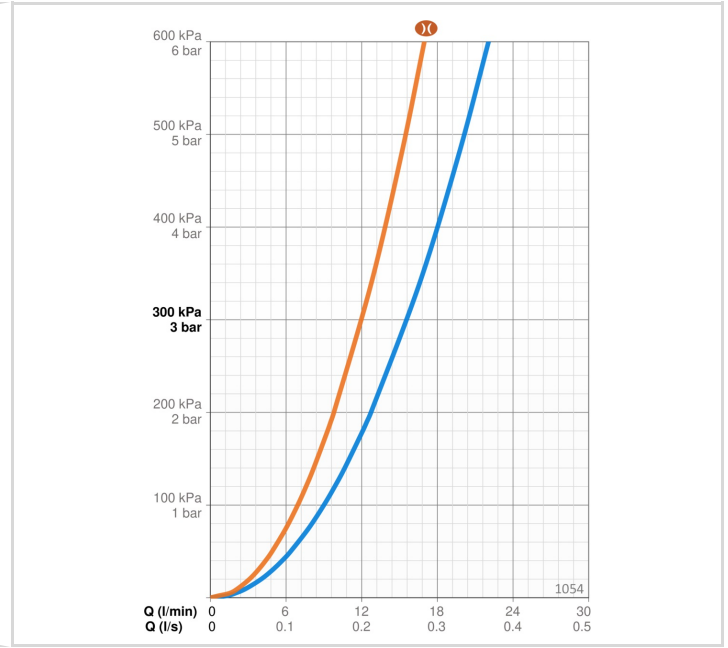
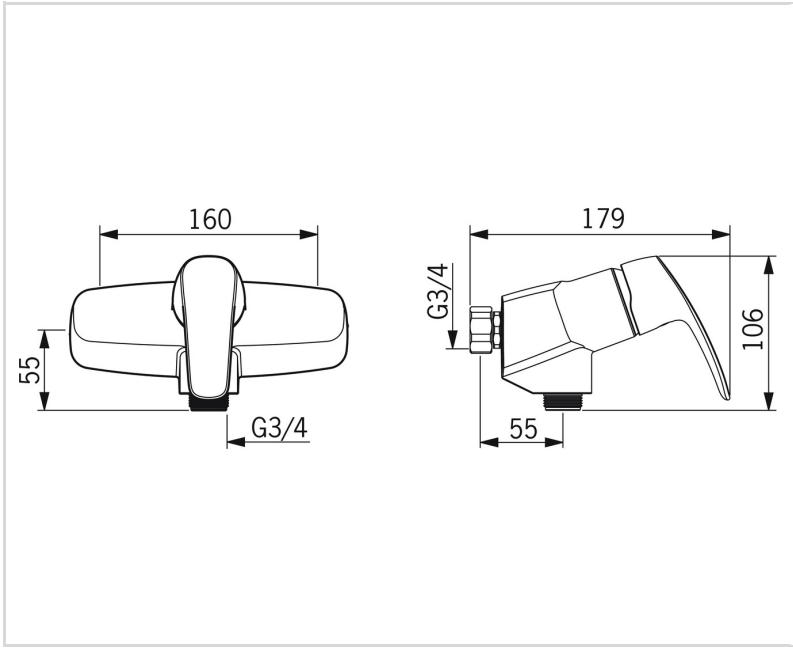
EN standard	EN 817
Noise class 0.2 l/s	I (ISO 3822)

APPROVALS AND DECLARATIONS

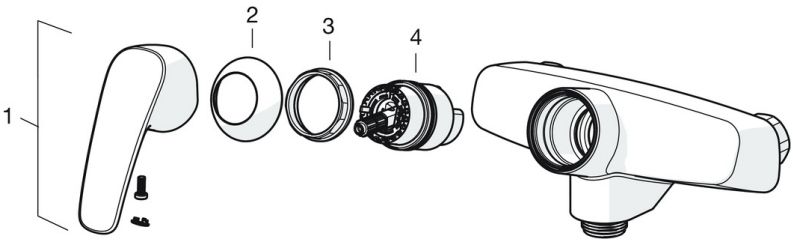
STF certificate	EUFI29-22005196-TH
Declaration of conformity	DoC
EPD	S-P-06397

SUSTAINABILITY

EPD module A1-A3 (kg CO2 eq.)	6,45
EPD module A4 (kg CO2 eq.)	0,23
EPD module B7 (kg CO2 eq.)	2110,00
EPD module C2 (kg CO2 eq.)	0,01
EPD module C3 (kg CO2 eq.)	0,01
EPD module C4 (kg CO2 eq.)	0,46
EPD module D (kg CO2 eq.)	-4,09



SPARE PARTS



SP1070

	Name	Code
01	Lever Chrome	602502V
02	Covering cap Chrome	1000785V
03	Tightening nut, M42x1.5, SW 38	158726
04	Cartridge	158890