



# 1056 ORAS SAFIRA UTILITY ROOM FAUCET

SINGLE-LEVER

EAN: 6414150078330 [static.oras.com/1056](http://static.oras.com/1056)



Utility room faucet. Wall-mounted utility room faucet with quick release coupling for  $\varnothing 13$  mm hose and vacuum breaker. There are also in-built limitation options for water temperature and maximum flow-rate.

- Wall mounted
- Chrome
- Single operating lever/handle, Hot/Cold symbols
- Limitation option for maximum temperature and flow-rate
- Vacuum breaker,  $\varnothing 40$  mm ceramic cartridge for flow and temperature control

## TECHNICAL DATA

### FLOW PROPERTIES

Flow-rate at 300 kPa	0.29 l/s
Flow-rate at 300 kPa (with flow reducers)	0.2 l/s
Pressure loss 0.2 l/s (with flow reducers)	300 kPa
Pressure loss with flow (0.2 l/s)	140 kPa

### TECHNICAL PROPERTIES

Hot water supply	max. +80°C
Working pressure	50 - 1000 kPa
Connection size	G3/4
Installation width	150 $\pm$ 3 mm
Projection	70 mm
Backflow prevention (EN1717)	AA
Material	Brass

### REGULATIONS

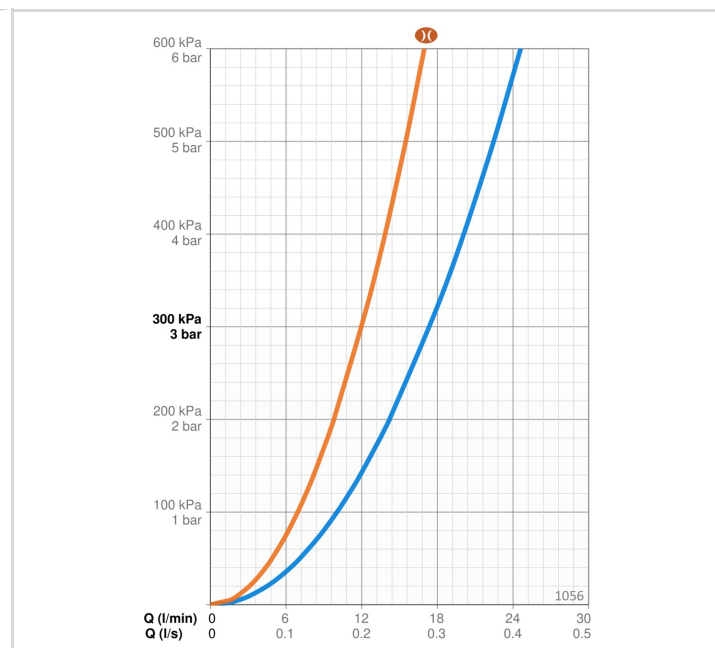
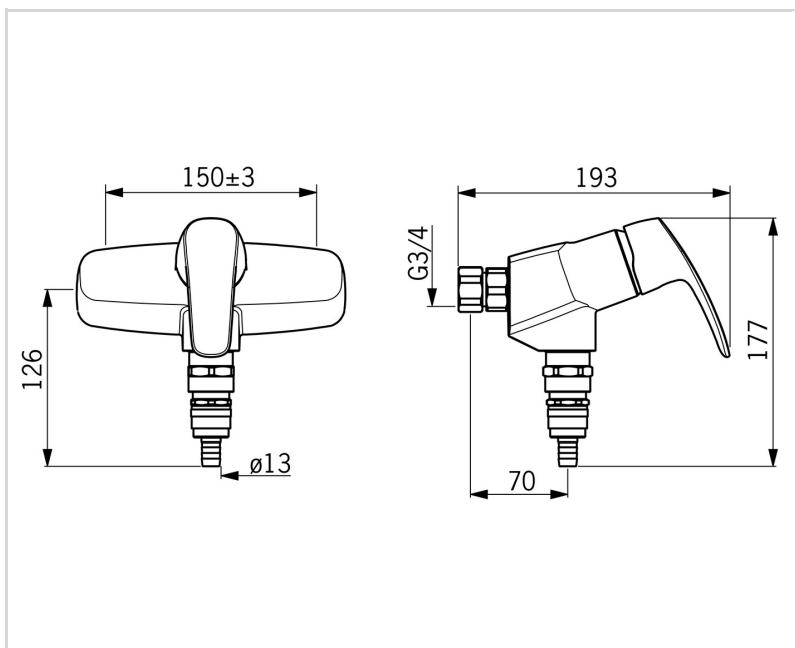
EN standard	EN 817
Noise class 0.2 l/s	I (ISO 3822)

### APPROVALS AND DECLARATIONS

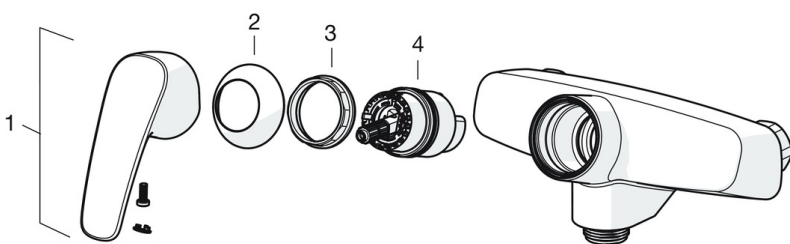
STF certificate	EUF129-22005196-TH
Declaration of conformity	DoC
EPD	S-P-06396

### SUSTAINABILITY

EPD module A1-A3 (kg CO2 eq.)	9,87
EPD module A4 (kg CO2 eq.)	0,20
EPD module B7 (kg CO2 eq.)	4728,00
EPD module C2 (kg CO2 eq.)	0,01
EPD module C3 (kg CO2 eq.)	0,02
EPD module C4 (kg CO2 eq.)	0,30
EPD module D (kg CO2 eq.)	-5,58



**SPARE PARTS**



**SP1070**

Name	Code
01 Lever Chrome	602502V
02 Covering cap Chrome	1000785V
03 Tightening nut, M42x1.5, SW 38	158726
04 Cartridge	158890