



1070 ORAS SAFIRA SHOWER FAUCET

SINGLE-LEVER

EAN: 6414150078316 static.oras.com/1070



Shower faucet. Shower hose connection G3/4. There are also in-built limitation options for water temperature and maximum flow-rate.

- Wall mounted
- Chrome
- Single operating lever/handle, Hot/Cold symbols
- Limitation option for maximum temperature and flow-rate
- ø 40 mm ceramic cartridge for flow and temperature control
- Silencer(s)

TECHNICAL DATA

FLOW PROPERTIES

| | |
|--|-----------------|
| Flow-rate at 300 kPa | 0.26 l/s |
| Flow-rate at 300 kPa (with flow reducers) | 0.2 l/s |
| Pressure loss 0.2 l/s (with flow reducers) | 300 kPa |
| Pressure loss with flow (0.2 l/s) | 180 kPa |

TECHNICAL PROPERTIES

| | |
|--------------------|----------------------|
| Hot water supply | max. +80°C |
| Working pressure | 50 - 1000 kPa |
| Connection size | G3/4 |
| Installation width | 150 ± 3 mm |
| Material | Brass |

REGULATIONS

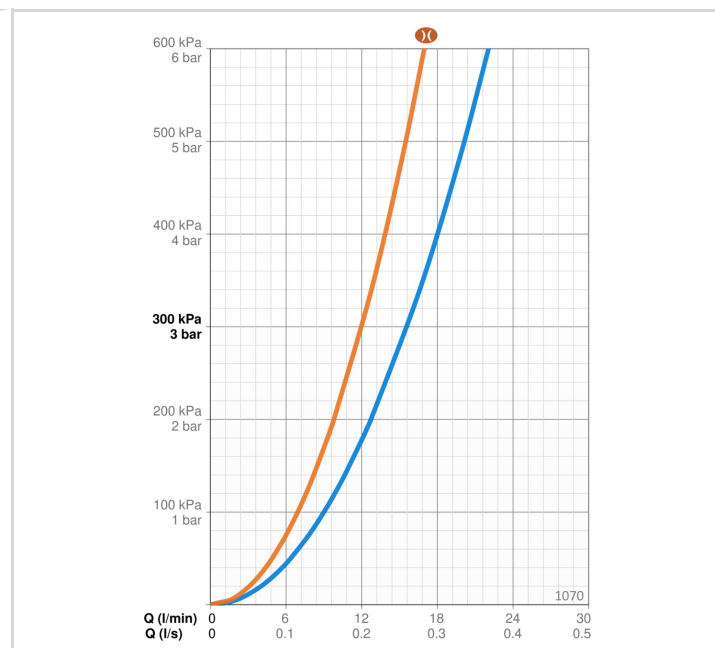
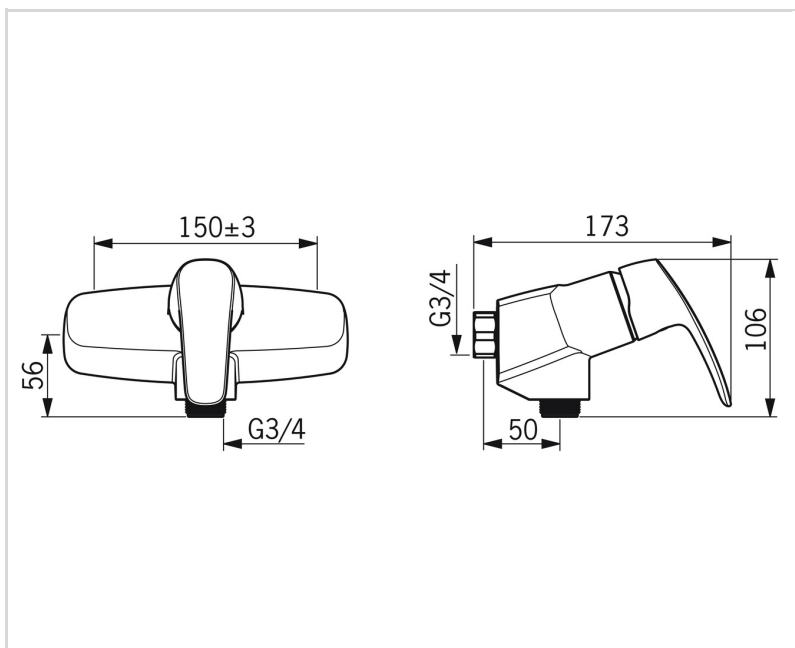
| | |
|---------------------|---------------------|
| EN standard | EN 817 |
| Noise class 0.2 l/s | I (ISO 3822) |

APPROVALS AND DECLARATIONS

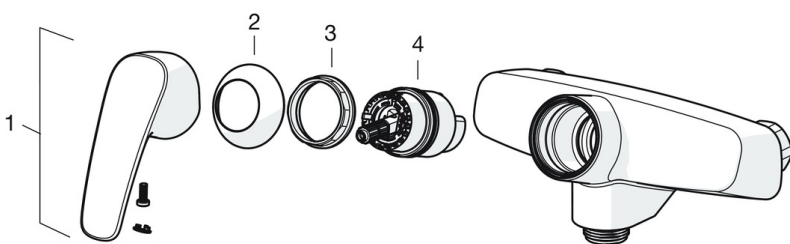
| | |
|---------------------------|---------------------------|
| STF certificate | EUFI29-22005196-TH |
| Sintef | Sintef Nr. 0126 |
| Declaration of conformity | DoC |
| EPD | S-P-06397 |

SUSTAINABILITY

| | |
|-------------------------------|----------------|
| EPD module A1-A3 (kg CO2 eq.) | 6,20 |
| EPD module A4 (kg CO2 eq.) | 0,22 |
| EPD module B7 (kg CO2 eq.) | 2110,00 |
| EPD module C2 (kg CO2 eq.) | 0,01 |
| EPD module C3 (kg CO2 eq.) | 0,01 |
| EPD module C4 (kg CO2 eq.) | 0,44 |
| EPD module D (kg CO2 eq.) | -3,94 |



SPARE PARTS



SP1070

| Name | Code |
|-----------------------------------|----------|
| 01 Lever Chrome | 602502V |
| 02 Covering cap Chrome | 1000785V |
| 03 Tightening nut, M42x1.5, SW 38 | 158726 |
| 04 Cartridge | 158890 |