



1074 ORAS SAFIRA UTILITY ROOM FAUCET

SINGLE-LEVER

EAN: 6414150078477 static.oras.com/1074



Utility room faucet. Diverter, swivel spout (200 mm) and aerator. There are also in-built limitation options for water temperature and maximum flow-rate.

- Wall mounted
- Chrome
- Swivel spout
- Single operating lever/handle, Hot/Cold symbols
- Pull operated diverter
- Limitation option for maximum temperature and flow-rate
- ø 40 mm ceramic cartridge for flow and temperature control
- Silencer(s)

TECHNICAL DATA

FLOW PROPERTIES

Flow-rate at 300 kPa	0.25 l/s
Flow-rate at 300 kPa (with flow reducers)	0.2 l/s
Pressure loss 0.2 l/s (with flow reducers)	300 kPa
Pressure loss with flow (0.2 l/s)	200 kPa

TECHNICAL PROPERTIES

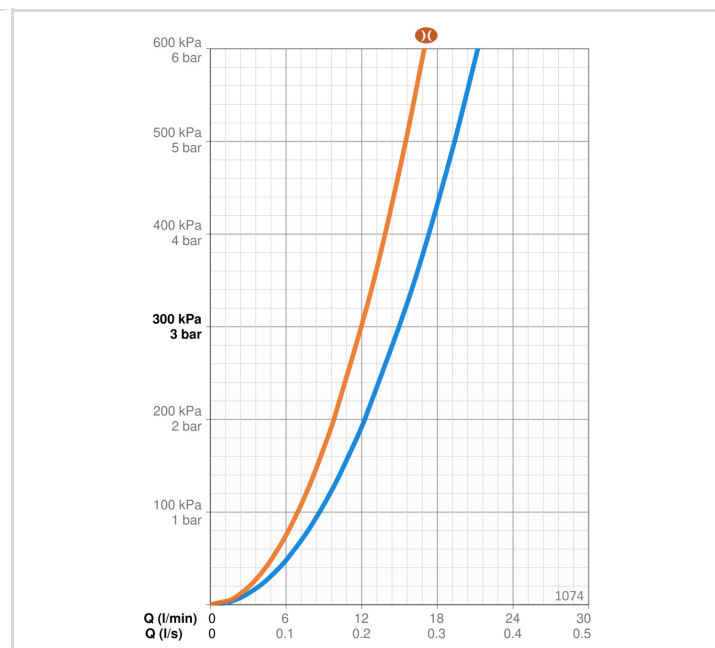
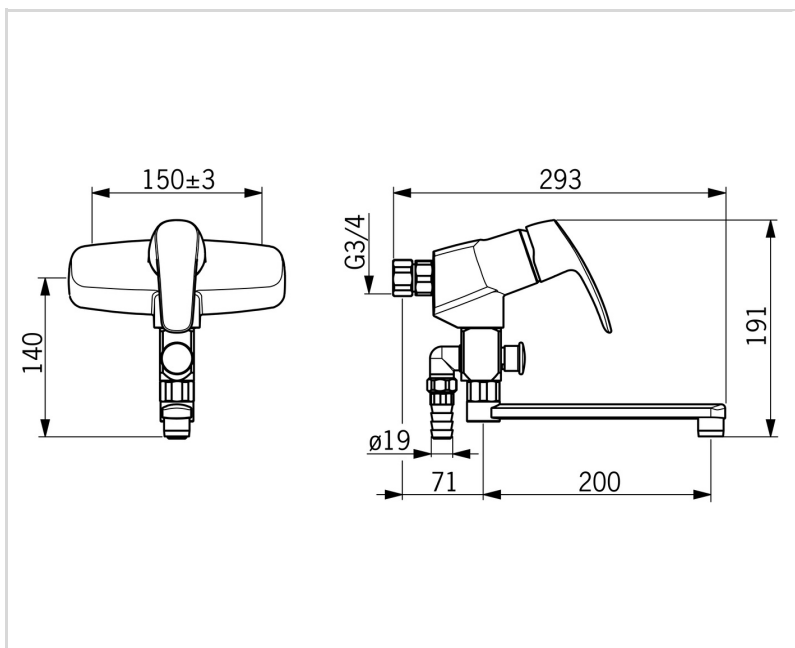
Hot water supply	max. +80°C
Working pressure	50 - 1000 kPa
Connection size	G3/4
Installation width	150 ± 3 mm
Projection	200 mm
Backflow prevention (EN1717)	HC
Material	Brass

REGULATIONS

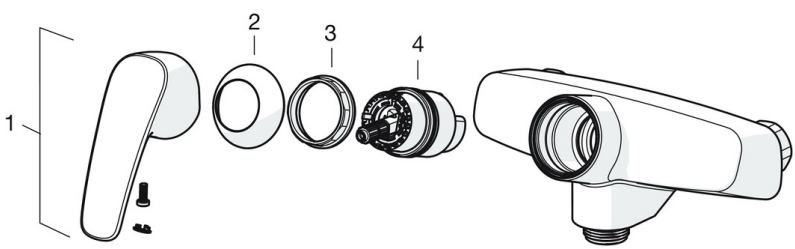
EN standard	EN 817
Noise class 0.2 l/s	I (ISO 3822)

APPROVALS AND DECLARATIONS

STF certificate	EUFI29-22005196-TH
Declaration of conformity	DoC

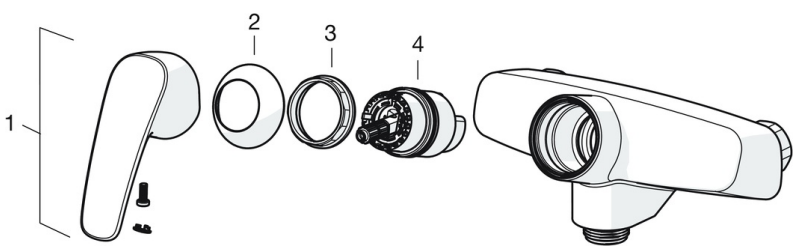


SPARE PARTS



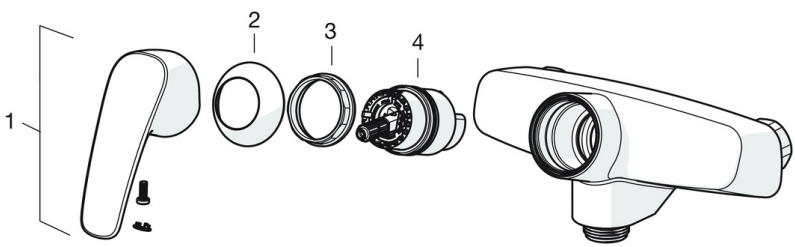
SP1070

Name	Code
01 Lever Chrome	602502V
02 Covering cap Chrome	1000785V
03 Tightening nut, M42x1.5, SW 38	158726
04 Cartridge	158890



SP0044

Name	Code
01 O-ring, 13.6x2.4	469360/10
02 Bushing (10 pcs), 18/20.6 Chrome	219595/10
03 Retaining ring (10 pcs)	219563/10
04 Aerator, M22x1 HC B Chrome	232201



SP0061

Name	Code
01 Connector	209692
02 Sealing kit, D24/15x4	209675/10
03 Diverter Chrome	209695
04 Retaining screw (10 pcs), M6x8	229518/10