



1075X ORAS SAFIRA SHOWER FAUCET

SINGLE-LEVER

EAN: 6414150078354 static.oras.com/1075X



Shower faucet. Shower hose connection G1/2. Eccentric unions and cover plates are included. There are also in-build limitation options for water temperature and maximum flow-rate.

- Wall mounted
- Chrome
- Single operating lever/handle, Hot/Cold symbols
- Limitation option for maximum temperature and flow-rate
- Non-return valve(s), \varnothing 40 mm ceramic cartridge for flow and temperature control
- Eccentric coupling(s), Cover plate(s), with integrated shut-off valve(s)

TECHNICAL DATA

FLOW PROPERTIES

Flow-rate at 300 kPa	0.26 l/s
Flow-rate at 300 kPa (with flow reducers)	0.2 l/s
Pressure loss 0.2 l/s (with flow reducers)	300 kPa
Pressure loss with flow (0.2 l/s)	180 kPa

TECHNICAL PROPERTIES

Hot water supply	max. +80°C
Working pressure	50 - 1000 kPa
Connection size	G1/2
Installation width	150 ± 20 mm
Backflow prevention (EN1717)	EB
Material	Brass

REGULATIONS

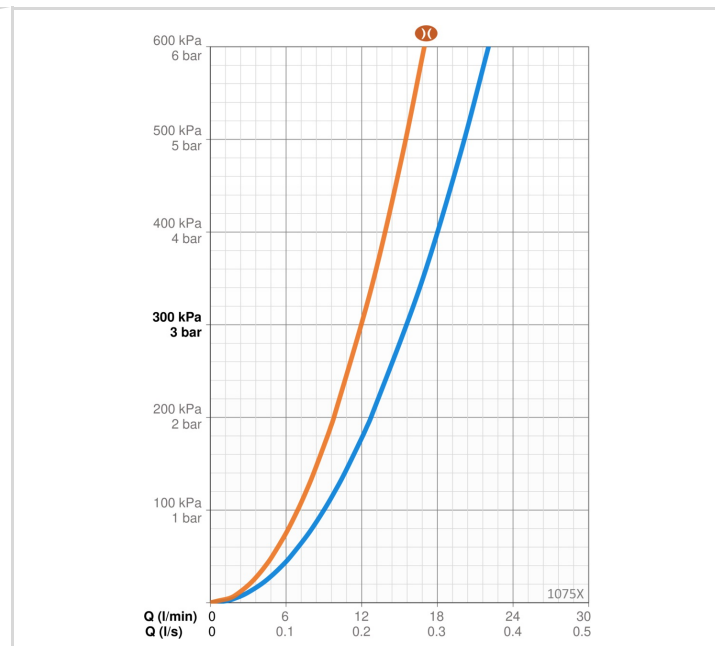
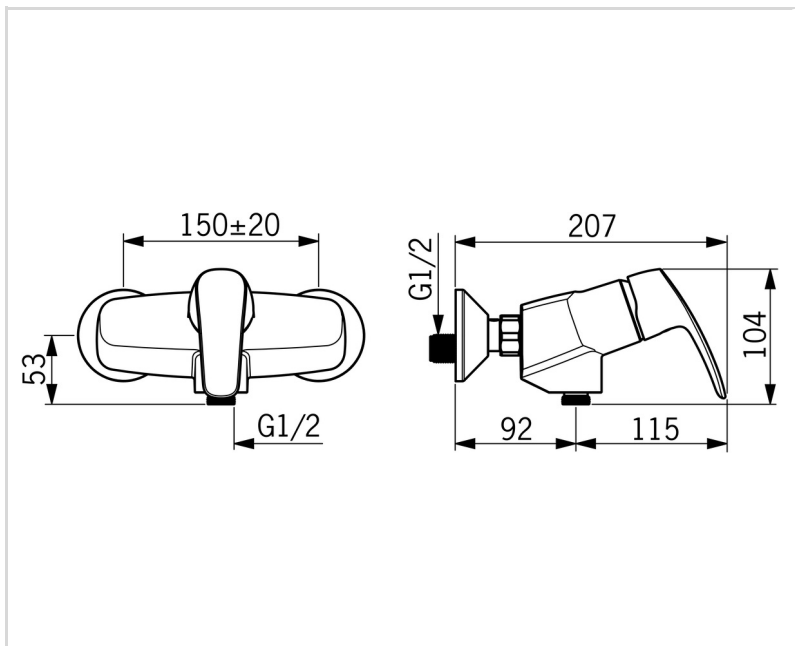
EN standard	EN 817
Noise class 0.2 l/s	I (ISO 3822) Oras lab.

APPROVALS AND DECLARATIONS

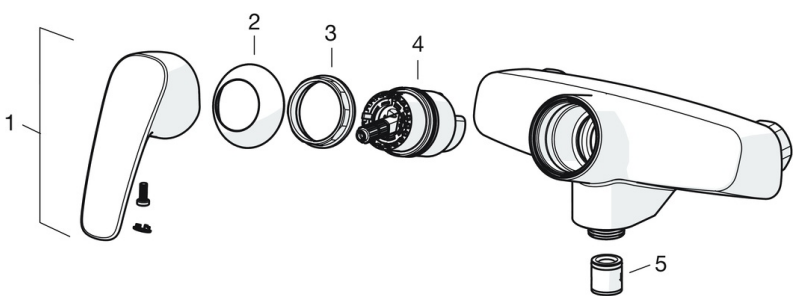
Declaration of conformity	DoC
EPD	S-P-06397

SUSTAINABILITY

EPD module A1-A3 (kg CO2 eq.)	8,63
EPD module A4 (kg CO2 eq.)	0,31
EPD module B7 (kg CO2 eq.)	2110,00
EPD module C2 (kg CO2 eq.)	0,02
EPD module C3 (kg CO2 eq.)	0,02
EPD module C4 (kg CO2 eq.)	0,61
EPD module D (kg CO2 eq.)	-5,48



SPARE PARTS



SP1075

Name	Code
01 Lever Chrome	602502V
02 Covering cap Chrome	1000785V
03 Tightening nut, M42x1.5, SW 38	158726
04 Cartridge	158890
05 Non-return valve	601989V