



Wall-mounted faucet with side brush. Diverter and swivel spout (250 mm). There are also in-build limitation options for water temperature and maximum flow-rate.

- Wall mounted
- Chrome
- Swivel spout
- Single operating lever/handle, Hot/Cold symbols
- Side brush
- Limitation option for maximum temperature and flow-rate
- ø 40 mm ceramic cartridge for flow and temperature control
- Silencer(s)

## TECHNICAL DATA

### FLOW PROPERTIES

Flow-rate at 300 kPa	<b>0.17 l/s</b>
Pressure loss with flow (0.1 l/s)	<b>100 kPa</b>

### TECHNICAL PROPERTIES

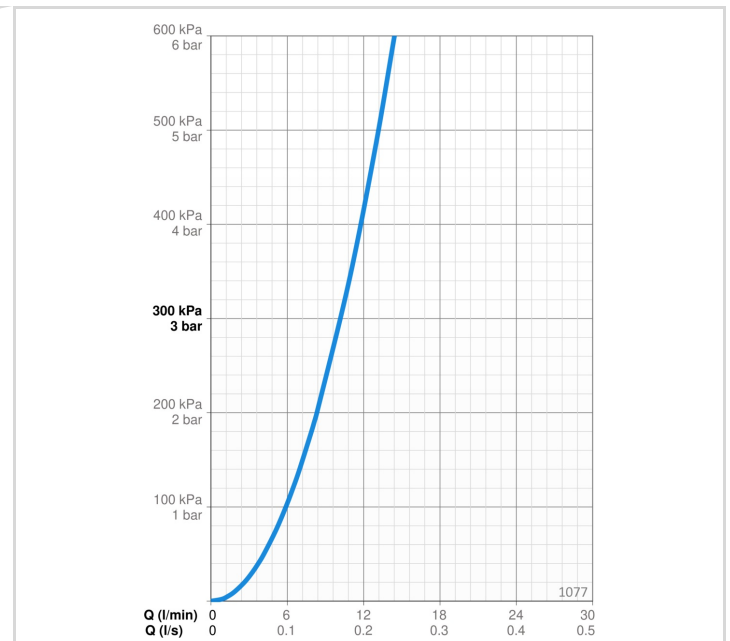
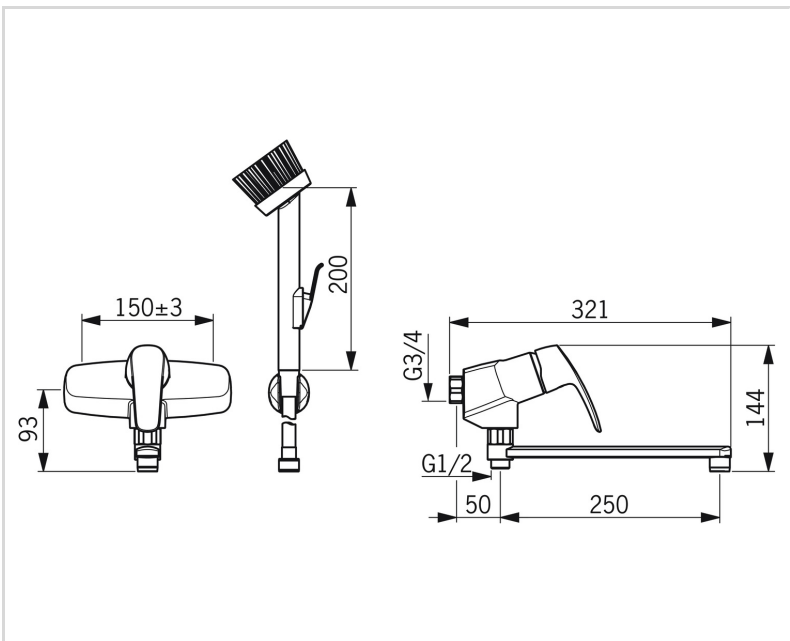
Hot water supply	<b>max. +80°C</b>
Working pressure	<b>50 - 1000 kPa</b>
Connection size	<b>G3/4</b>
Installation width	<b>150 ± 3 mm</b>
Projection	<b>250 mm</b>
Backflow prevention (EN1717)	<b>HC</b>
Material	<b>Brass</b>

### REGULATIONS

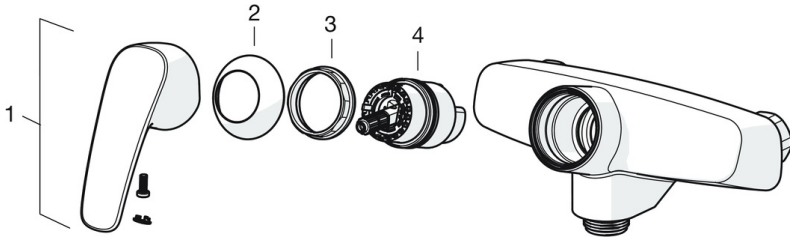
EN standard	<b>EN 817</b>
Noise class	<b>I (ISO 3822)</b>

### APPROVALS AND DECLARATIONS

STF certificate	<b>EUFI29-22005196-TH</b>
Declaration of conformity	<b>DoC</b>

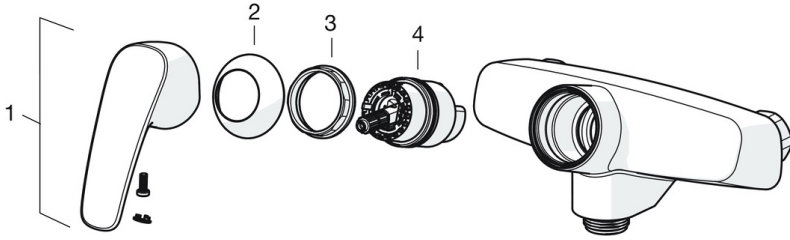


**SPARE PARTS**



**SP0045**

	<b>Name</b>	<b>Code</b>
01	O-ring, 13.6x2.4	469360/10
02	Bushing (10 pcs), 18/20.6 Chrome	219595/10
03	Retaining ring (10 pcs)	219563/10
04	Aerator, M22x1 HC B Chrome	232201
05	Ejector	219544/10



**SP1070**

	<b>Name</b>	<b>Code</b>
01	Lever Chrome	602502V
02	Covering cap Chrome	1000785V
03	Tightening nut, M42x1.5, SW 38	158726
04	Cartridge	158890