



- Deck mounted
- Chrome
- Swivel range limiting option
- Standard aerator
- Single operating lever/handle, Hot/Cold symbols
- Limitation option for maximum temperature and flow-rate, Energy saving variation (Cold Start) - cold water in the middle position
- ø 35 mm ceramic eco cartridge for flow and temperature control
- Flexible inlet pipes
- Rapid installation system

TECHNICAL DATA

FLOW PROPERTIES

Eco-flow at 300 kPa	0.068 l/s
Flow-rate at 300 kPa (with flow controller)	0.1 l/s
Pressure loss with flow (0.1 l/s)	200 kPa

TECHNICAL PROPERTIES

Hot water supply	max. +70°C
Working pressure	50 - 1000 kPa
Connection size	G3/8
Projection	152 mm
Material	Brass

REGULATIONS

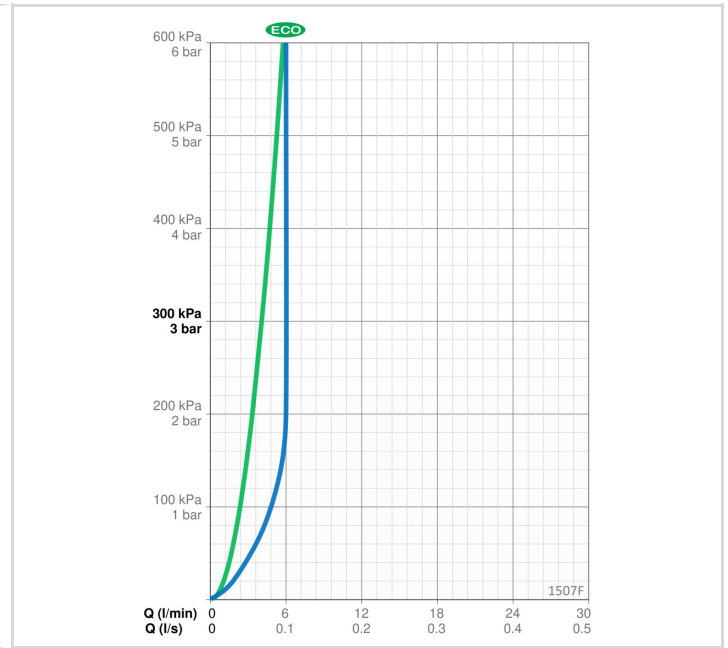
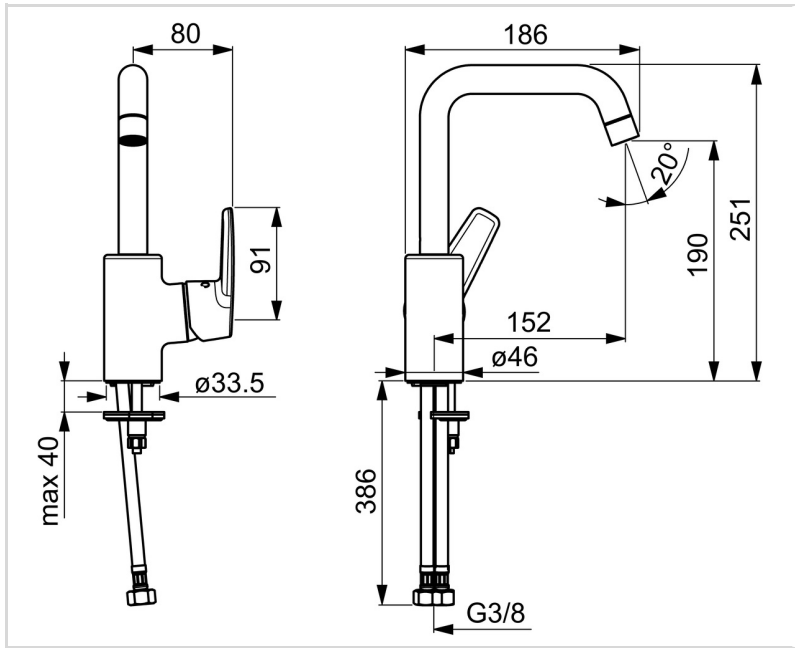
EN standard	EN 817
Noise class	I (ISO 3822) Oras lab,

APPROVALS AND DECLARATIONS

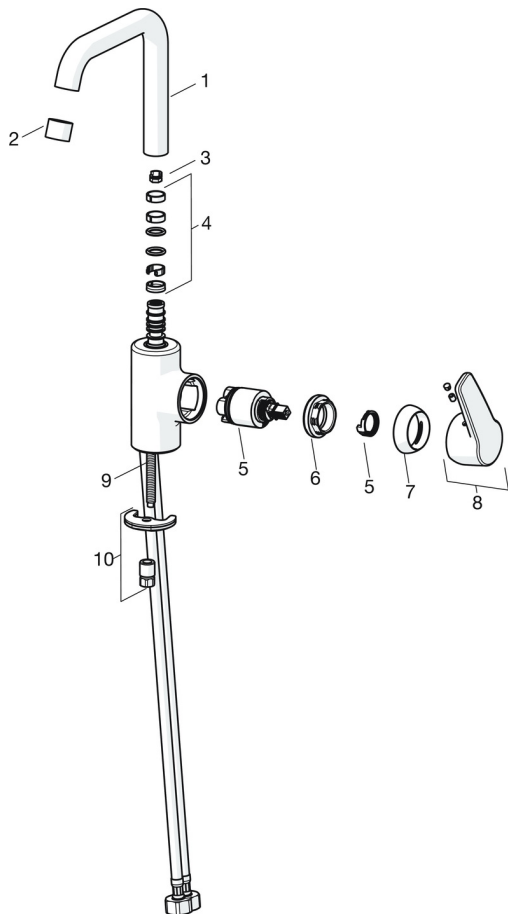
SE Energy Mark	1409
KIWA SE	1441
Declaration of conformity	DoC
EPD	S-P-06391

SUSTAINABILITY

EPD module A1-A3 (kg CO2 eq.)	9,01
EPD module A4 (kg CO2 eq.)	0,25
EPD module B7 (kg CO2 eq.)	1260,72
EPD module C2 (kg CO2 eq.)	0,02
EPD module C3 (kg CO2 eq.)	0,02
EPD module C4 (kg CO2 eq.)	0,07
EPD module D (kg CO2 eq.)	-6,41



SPARE PARTS



SP1507F

Name	Code
01 Spout Chrome	1001051V
02 Aerator, M22x1 STD HC PCA, 6 l/min Chrome	1001071V
03 Spout overturning stopper, 120°	159670/10
04 Sealing kit for spout	1001098V
05 Cartridge, 3.5 cold start	602672V
06 Tightening nut, M40x1, SW30	1003409V
07 Covering cap Chrome	601967V
08 Lever Chrome Discontinued	1003171V
09 Fixing screw, M8x1, L=140	601970V
10 Fixing set	601985V