



# 1510FK ORAS SWEA ECO WASHBASIN FAUCET

SINGLE-LEVER, COLD START

EAN: 6414150085697 [static.oras.com/1510FK](http://static.oras.com/1510FK)



- Deck mounted
- Chrome
- Fixed spout
- Standard aerator
- Single operating lever/handle, Hot/Cold symbols
- Chain holder without chain
- Limitation option for maximum temperature and flow-rate, Energy saving variation (Cold Start) - cold water in the middle position
- ø 35 mm ceramic cartridge for flow and temperature control
- Flexible inlet pipes
- Rapid installation system
- package with 12 pcs 1510F

## TECHNICAL DATA

### FLOW PROPERTIES

Eco-flow at 300 kPa	0.068 l/s
Flow-rate at 300 kPa (with flow controller)	0.1 l/s

### TECHNICAL PROPERTIES

Hot water supply	max. +70°C
Working pressure	50 - 1000 kPa
Connection size	G3/8
Material	Brass

### REGULATIONS

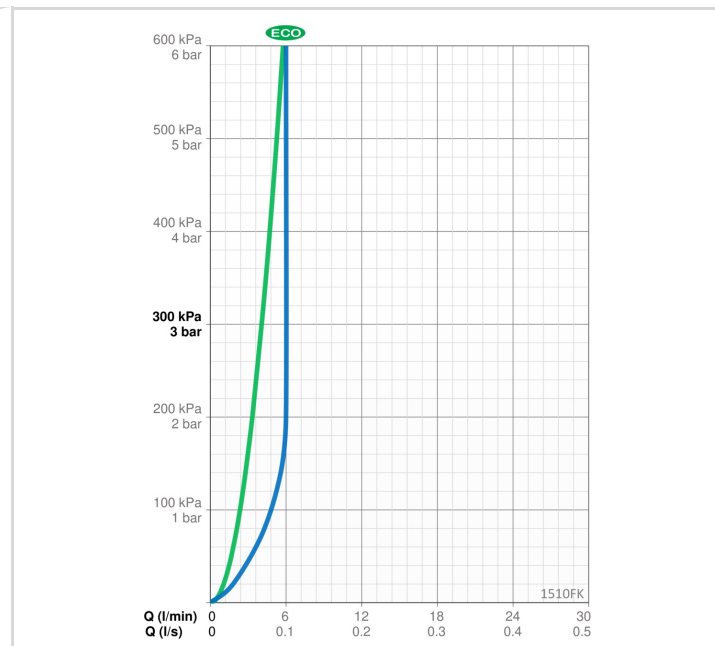
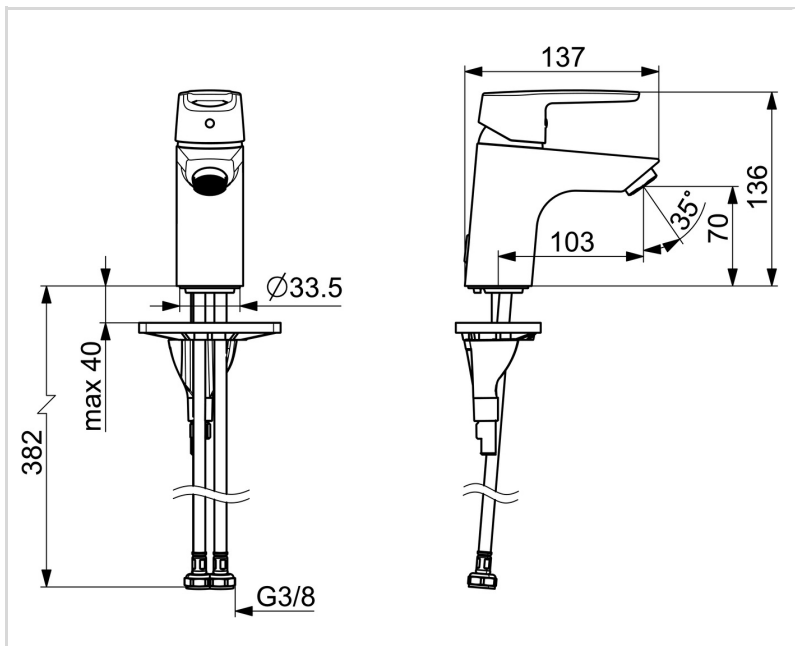
EN standard	EN 817
-------------	--------

### APPROVALS AND DECLARATIONS

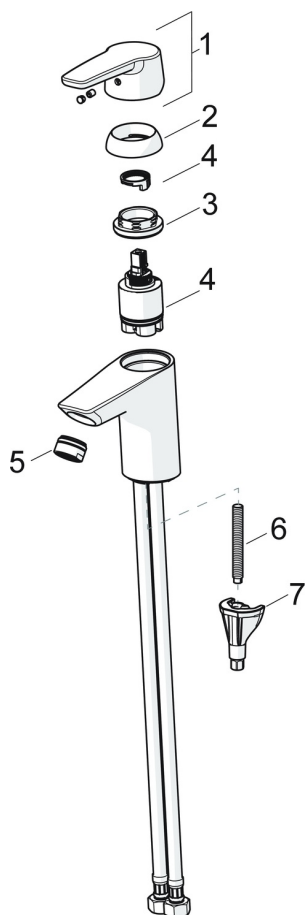
SE Energy Mark	1408
KIWA SE	1441
Declaration of conformity	DoC
EPD	S-P-06391

### SUSTAINABILITY

EPD module A1-A3 (kg CO2 eq.)	5,28
EPD module A4 (kg CO2 eq.)	0,15
EPD module B7 (kg CO2 eq.)	1260,72
EPD module C2 (kg CO2 eq.)	0,01
EPD module C3 (kg CO2 eq.)	0,01
EPD module C4 (kg CO2 eq.)	0,04
EPD module D (kg CO2 eq.)	-3,76



**SPARE PARTS**



**SP1510FK**

Name	Code
01 Lever Chrome	1003170V
02 Covering cap Chrome	601967V
03 Tightening nut, M40x1, SW30	1003409V
04 Cartridge, 3.5 cold start	602672V
05 Aerator, M24x1, 6 l/min Chrome	601974V
05 Aerator, M24x1 PCA 5 l/min (-105) Chrome	1003828V
06 Fixing screw, M8x1, L=140	601970V
07 Fixing set	602610V