



# 1524F-106 ORAS SWEA ECO KITCHEN FAUCET WITH DISHWASHER VALVE

DISCONTINUED

SINGLE-LEVER, DISHWASHER VALVE

EAN: 6414150100277 [static.oras.com/1524F-106](http://static.oras.com/1524F-106)



- ECO Building, Housing
- Deck mounted
- Chrome
- Swivel spout
- Standard aerator
- Mechanic stop valve for external equipment
- Single operating lever/handle, Hot/Cold symbols
- Limitation option for maximum temperature and flow-rate
- ø 35 mm ceramic cartridge for flow and temperature control
- Flexible inlet pipes

## TECHNICAL DATA

### FLOW PROPERTIES

Eco-flow at 300 kPa	0.075 l/s
Flow-rate at 300 kPa (with flow controller)	0.1 l/s

### TECHNICAL PROPERTIES

Hot water supply	max. +70°C
Working pressure	50 - 1000 kPa
Connection size	G3/8
Projection	208 mm
Backflow prevention (EN1717)	EB
Material	Brass

### REGULATIONS

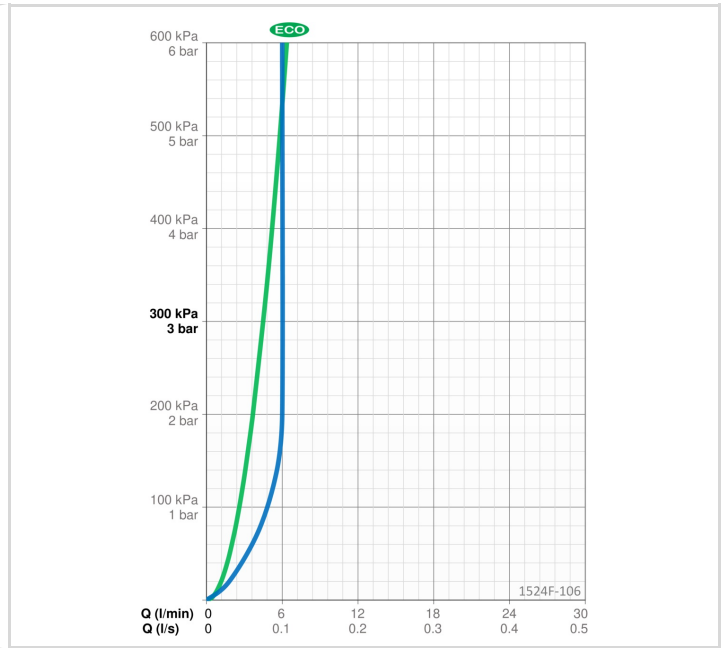
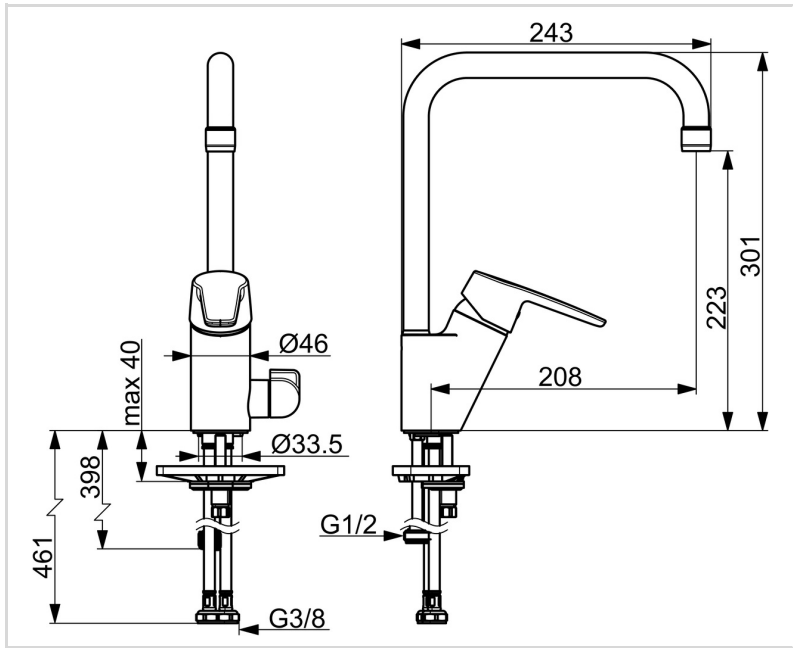
EN standard	EN 817
Noise class	I (ISO 3822) Oras lab.

### APPROVALS AND DECLARATIONS

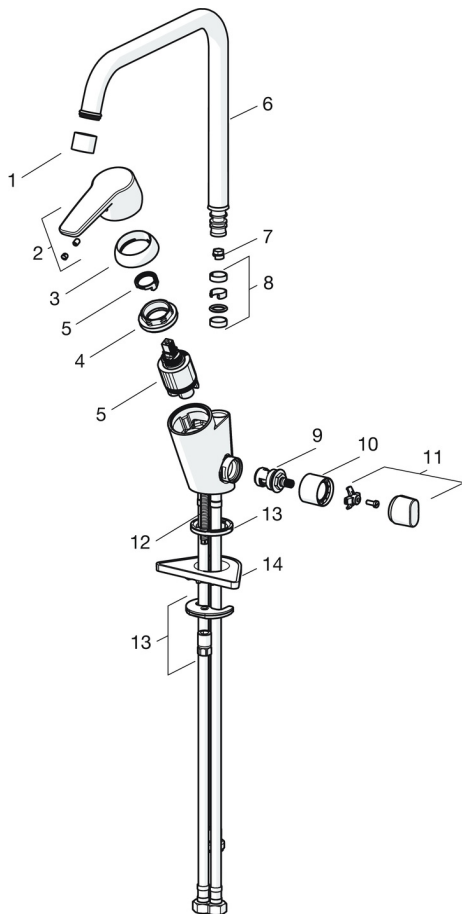
KIWA SE	1445
Declaration of conformity	DoC
EPD	S-P-06396

### SUSTAINABILITY

EPD module A1-A3 (kg CO2 eq.)	10,18
EPD module A4 (kg CO2 eq.)	0,20
EPD module B7 (kg CO2 eq.)	1773,00
EPD module C2 (kg CO2 eq.)	0,01
EPD module C3 (kg CO2 eq.)	0,02
EPD module C4 (kg CO2 eq.)	0,31
EPD module D (kg CO2 eq.)	-5,76



## SPARE PARTS



## SP1524F-GB

	Name	Code
01	Aerator, M22x1 STD HC PCA, 6 l/min Chrome	1001071V
01	Aerator, STD M22x1 CC PCA 3.8 l/min Chrome	1010437V
02	Lever Chrome	1003170V
03	Covering cap Chrome	601967V
04	Tightening nut, M40x1, SW30	1003409V
05	Cartridge, 3.5 cold start	602672V
06	High spout, L=255 Chrome	1000228V
06	High spout, L=220 Chrome	1003671V
07	Spout overturning stopper, 60°/0°	159667/10
07	Spout overturning stopper, 120°	159670/10
08	Sealing kit for spout	198287V
09	Headpart, G1/2	602600V
10	Cover sleeve Chrome Discontinued	1000240V
11	Handle for washing machine valve Chrome	1005697V
12	Fixing screw, M8x1, L=140	601970V
13	Fixing set	601985V
14	Supporting plate, 100x60mm	158825