



1535F-104 ORAS SWEA ECO KITCHEN FAUCET WITH DISHWASHER VALVE

DISCONTINUED

SINGLE-LEVER, COLD START

EAN: 6414150100192 static.oras.com/1535F-104



- ECO Building, Housing
- Deck mounted
- Chrome
- Swivel range limiting option
- Standard aerator
- Mechanic stop valve for external equipment
- Single operating lever/handle, Hot/Cold symbols
- Limitation option for maximum temperature and flow-rate, Energy saving variation (Cold Start) - cold water in the middle position
- ø 35 mm ceramic cartridge for flow and temperature control
- Flexible inlet pipes

TECHNICAL DATA

FLOW PROPERTIES

Flow-rate at 300 kPa (with flow controller) **0.056 l/s**

TECHNICAL PROPERTIES

Hot water supply **max. +70°C**

Working pressure **50 - 1000 kPa**

Connection size **G3/8**

Projection **215 mm**

Backflow prevention (EN1717) **EB**

Material **Brass**

REGULATIONS

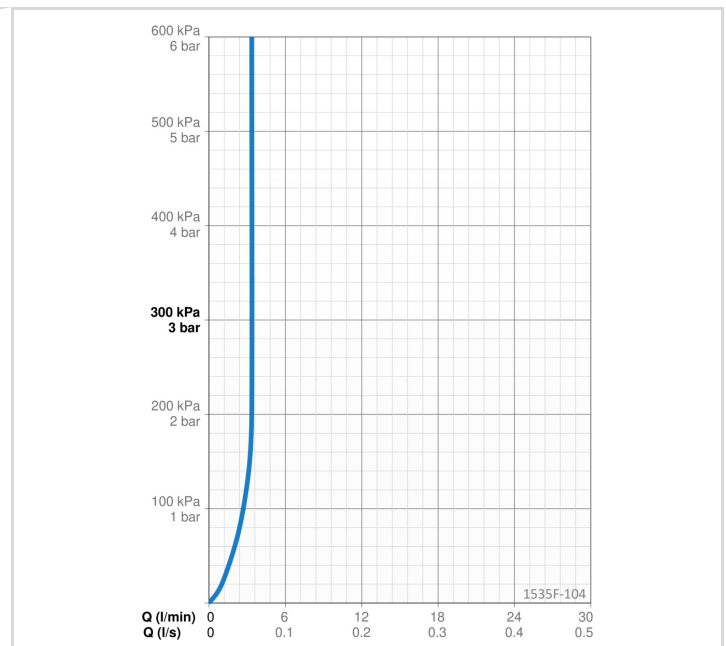
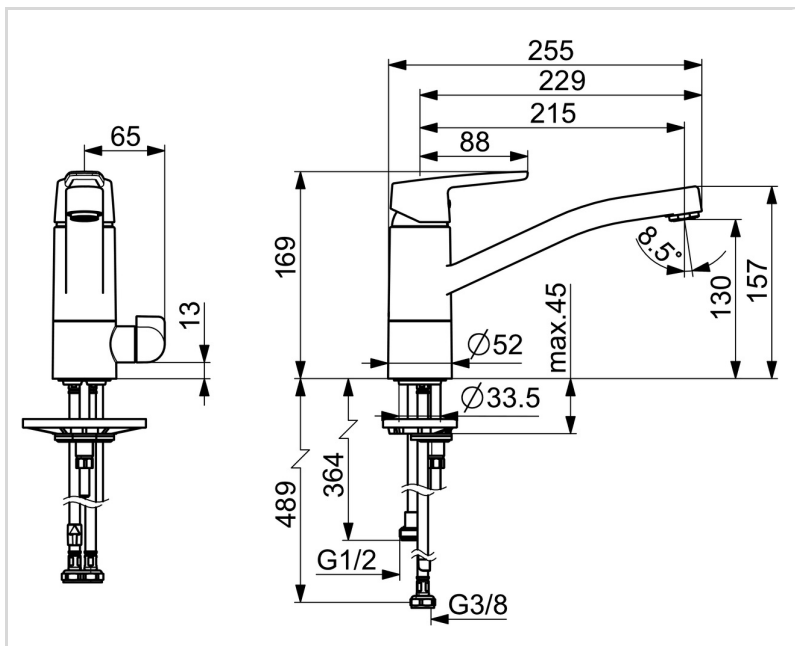
EN standard **EN 817**

Noise class **I (ISO 3822) Oras lab.**

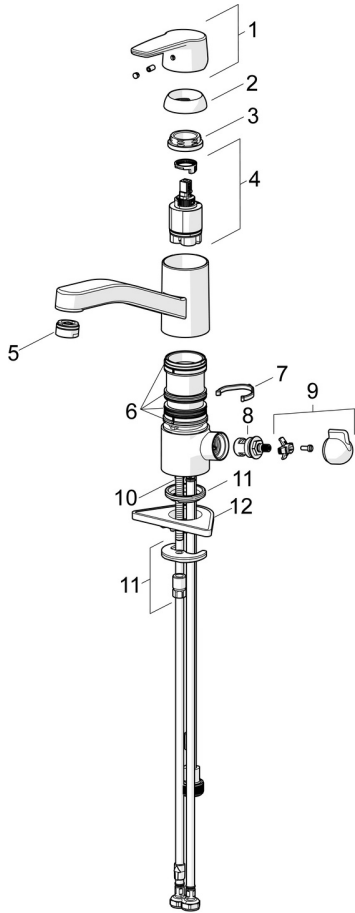
APPROVALS AND DECLARATIONS

KIWA SE **1445**

Declaration of conformity **DoC**



SPARE PARTS



SP1535F-GB

	Name	Code
01	Lever Chrome	1003170V
02	Covering cap Chrome	601967V
03	Tightening nut, M37x1, SW30	1005680V
04	Cartridge, 3.5 cold start	602672V
05	Aerator, M24x1, 6 l/min Chrome	199266V
05	Aerator, M24x1, -104	601434V
06	Sealing kit	1001264V
07	Spout overturning stopper, 120°	1001406/10
08	Headpart, G1/2	602600V
09	Handle for washing machine valve Chrome	1005697V
10	Fixing screw, M8x1, L=140	601970V
11	Fixing set	601985V
12	Supporting plate, 100x60mm	158825