



Drain connection

- Accessories
- Wall mounted
- Chrome

TECHNICAL DATA

TECHNICAL PROPERTIES

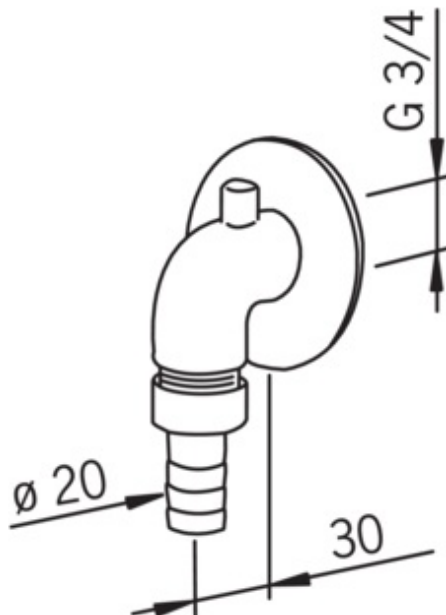
Hot water supply	max. +80°C
Working pressure	50 - 1000 kPa
Connection size	G3/4
Projection	30 mm
Material	Brass

APPROVALS AND DECLARATIONS

EPD	EPD-IES-0021145
-----	-----------------

SUSTAINABILITY

EPD module A1-A3 (kg CO2 eq.)	1,88
EPD module A4 (kg CO2 eq.)	0,09
EPD module C2 (kg CO2 eq.)	0,00
EPD module C3 (kg CO2 eq.)	0,00
EPD module C4 (kg CO2 eq.)	0,00
EPD module D (kg CO2 eq.)	-0,77



SPARE PARTS