



Washbasin faucet with fixed spout and aerator. Lever is equipped with an eco-button for limiting water temperature and flow-rate, which can be bypassed by pressing the button. With flexible pipes.

- Deck mounted
- Chrome
- Fixed spout
- Standard aerator
- Eco feature for water flow, Hot/Cold symbols, Safety feature for water temperature, Single operating lever/handle
- Chain holder without chain
- Limitation option for maximum temperature and flow-rate
- ø 40 mm ceramic cartridge for flow and temperature control
- Flexible inlet pipes
- 3S-installation system for safe and simple mounting

TECHNICAL DATA

FLOW PROPERTIES

Eco-flow at 300 kPa	0.11 l/s
Flow-rate at 300 kPa	0.18 l/s
Pressure loss with flow (0.1 l/s)	110 kPa

TECHNICAL PROPERTIES

DN-size (nominal dimension)	DN15
Hot water supply	max. +70°C
Working pressure	50 - 1000 kPa
Connection size	G3/8
Projection	107 mm
Backflow prevention (EN1717)	AA
Material	Brass

REGULATIONS

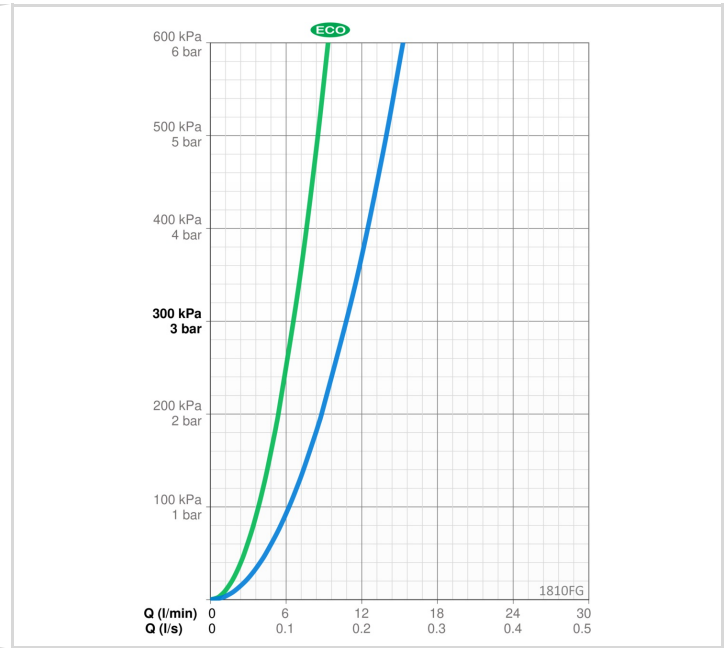
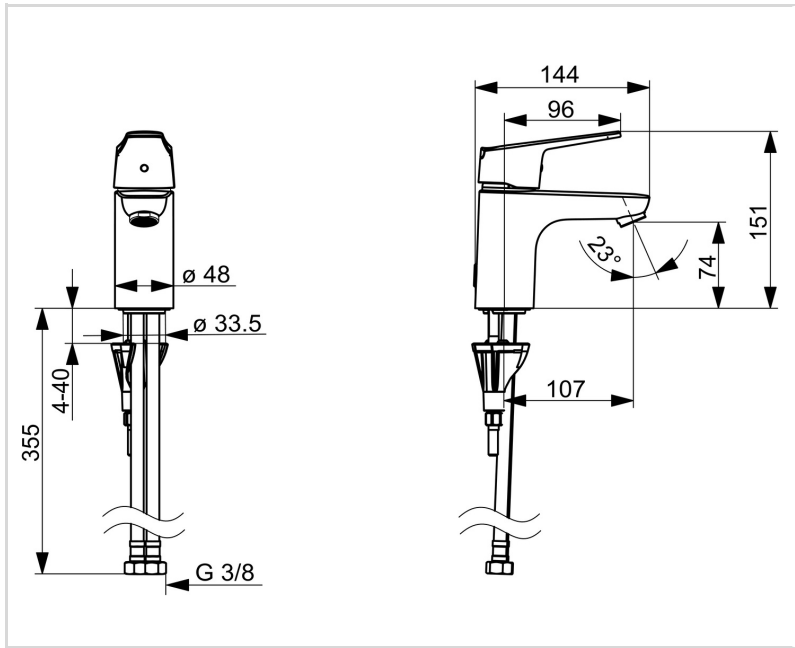
EN standard	EN 817
Noise class	I (ISO 3822)

APPROVALS AND DECLARATIONS

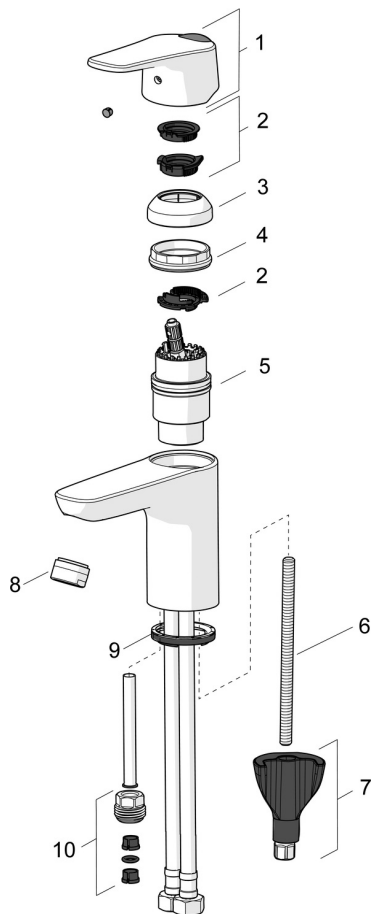
STF certificate	EUFI29-20000935-TH1
Sintef	Sintef Nr. 3637
Declaration of conformity	DoC
EPD	S-P-06391

SUSTAINABILITY

EPD module A1-A3 (kg CO2 eq.)	7,31
EPD module A4 (kg CO2 eq.)	0,20
EPD module B7 (kg CO2 eq.)	2039,40
EPD module C2 (kg CO2 eq.)	0,01
EPD module C3 (kg CO2 eq.)	0,02
EPD module C4 (kg CO2 eq.)	0,06
EPD module D (kg CO2 eq.)	-5,20



SPARE PARTS



SP1812FG

Name	Code
01 Lever Chrome	1000935V
02 Limiter	1004821V
03 Covering cap Chrome	1000664V
04 Tightening nut, M42x1.5, SW 38	158726
05 Cartridge	158890
06 Fixing screw, M8x1, L=130	1000780V
07 Fixing set	602610V
08 Aerator, M24x1 STD HC A Chrome	232211
09 Bottom seal	1002371V
10 Nipple	159684
N.I. Plug	117929/10
N.I. Holder	1002369V