



Washbasin faucet with fixed spout and aerator. Lever is equipped with an eco-button for limiting water temperature and flowrate, which can be bypassed by pressing the button. With flexible pipes.

- Deck mounted
- Matt black
- Fixed spout
- Standard aerator
- Eco feature for water flow, Hot/Cold symbols, Safety feature for water temperature, Single operating lever/handle
- Limitation option for maximum temperature and flow-rate
- ø 40 mm ceramic cartridge for flow and temperature control
- Flexible inlet pipes
- 3S-installation system for safe and simple mounting

TECHNICAL DATA

FLOW PROPERTIES

| | |
|-----------------------------------|----------|
| Eco-flow at 300 kPa | 0.09 l/s |
| Flow-rate at 300 kPa | 0.13 l/s |
| Pressure loss with flow (0.1 l/s) | 190 kPa |

TECHNICAL PROPERTIES

| | |
|------------------------------|---------------|
| Hot water supply | max. +70°C |
| Working pressure | 50 - 1000 kPa |
| Connection size | G3/8 |
| Projection | 107 mm |
| Backflow prevention (EN1717) | AA |
| Material | Brass |

REGULATIONS

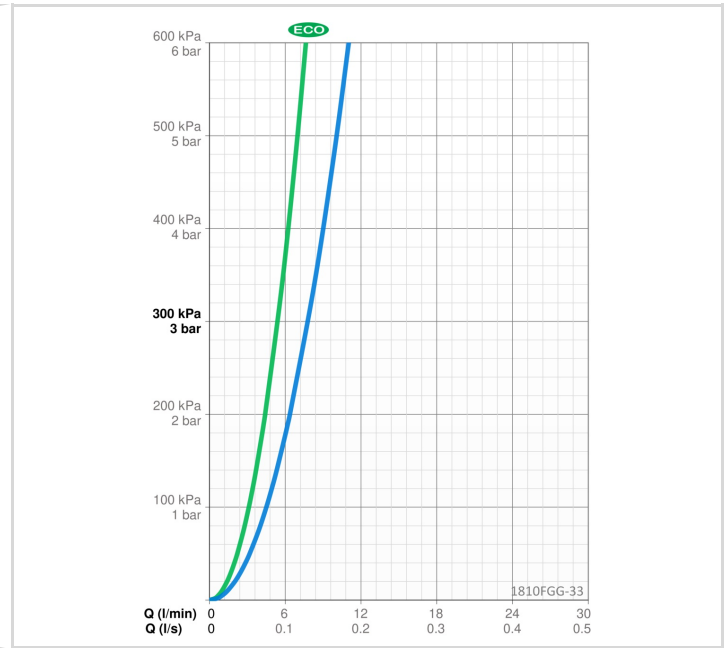
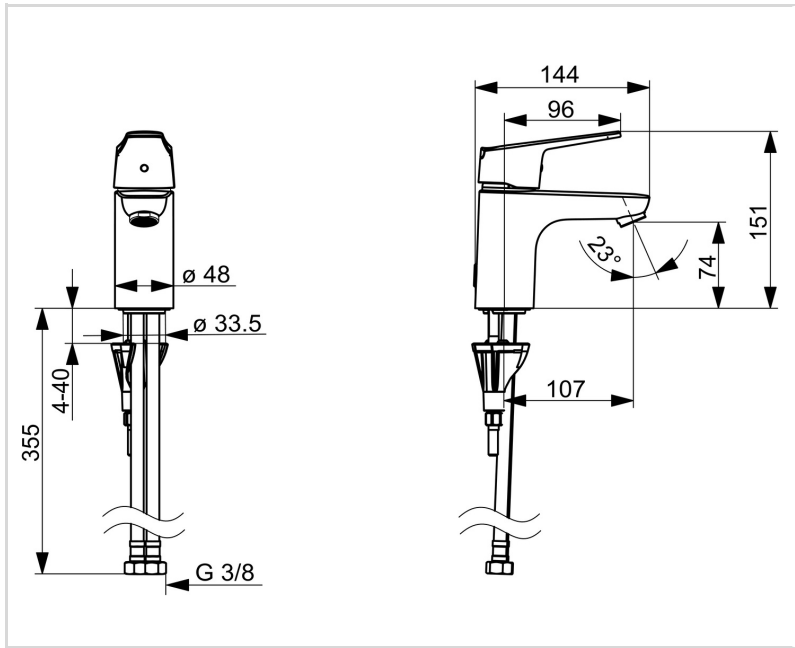
| | |
|-------------|--------------|
| EN standard | EN 817 |
| Noise class | I (ISO 3822) |

APPROVALS AND DECLARATIONS

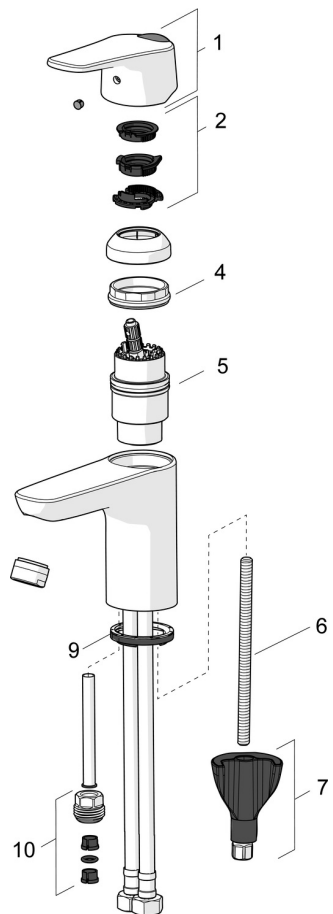
| | |
|---------------------------|-----------------|
| Sintef | Sintef Nr. 3637 |
| SE Energy Mark | 1603 |
| KIWA SE | 1588 |
| Declaration of conformity | DoC |
| EPD | S-P-06391 |

SUSTAINABILITY

| | |
|-------------------------------|---------|
| EPD module A1-A3 (kg CO2 eq.) | 6,94 |
| EPD module A4 (kg CO2 eq.) | 0,19 |
| EPD module B7 (kg CO2 eq.) | 1668,60 |
| EPD module C2 (kg CO2 eq.) | 0,01 |
| EPD module C3 (kg CO2 eq.) | 0,01 |
| EPD module C4 (kg CO2 eq.) | 0,05 |
| EPD module D (kg CO2 eq.) | -4,94 |



SPARE PARTS



SP1812FG-33

| Name | Code |
|-----------------------------------|-------------|
| 01 Lever Matt black | 1000935V-33 |
| 02 Limiter | 1004821V |
| 04 Tightening nut, M42x1.5, SW 38 | 158726 |
| 05 Cartridge | 158890 |
| 06 Fixing screw, M8x1, L=130 | 1000780V |
| 07 Fixing set | 602610V |
| 09 Bottom seal | 1002371V |
| 10 Nipple | 159684 |
| N.I. Plug | 117929/10 |
| N.I. Holder | 1002369V |