



Washbasin faucet with fixed spout and aerator. Lever is equipped with an eco-button for limiting water temperature and flow-rate, which can be bypassed by pressing the button. Flow rate 0,09/ 0,12 l/s (eco/standard). With flexible pipes.

- Deck mounted
- Chrome
- Fixed spout
- Standard aerator
- Eco feature for water flow, Hot/Cold symbols, Safety feature for water temperature, Single operating lever/handle
- Limitation option for maximum temperature and flow-rate
- ø 40 mm ceramic cartridge for flow and temperature control
- Flexible inlet pipes
- 3S-installation system for safe and simple mounting

## TECHNICAL DATA

### FLOW PROPERTIES

Eco-flow at 300 kPa	<b>0.09 l/s</b>
Flow-rate at 300 kPa	<b>0.13 l/s</b>
Pressure loss with flow (0.1 l/s)	<b>190 kPa</b>

### TECHNICAL PROPERTIES

Hot water supply	<b>max. +70°C</b>
Working pressure	<b>50 - 1000 kPa</b>
Connection size	<b>G3/8</b>
Projection	<b>107 mm</b>
Backflow prevention (EN1717)	<b>AA</b>
Material	<b>Brass</b>

### REGULATIONS

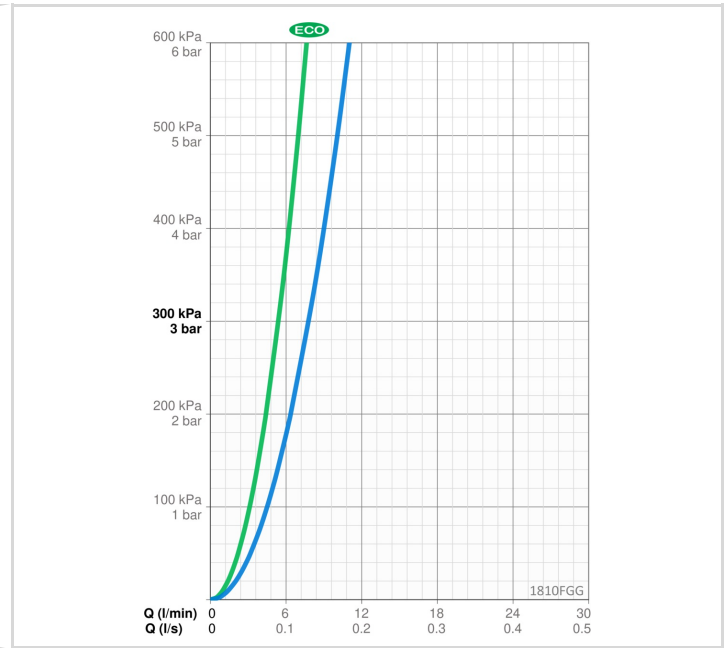
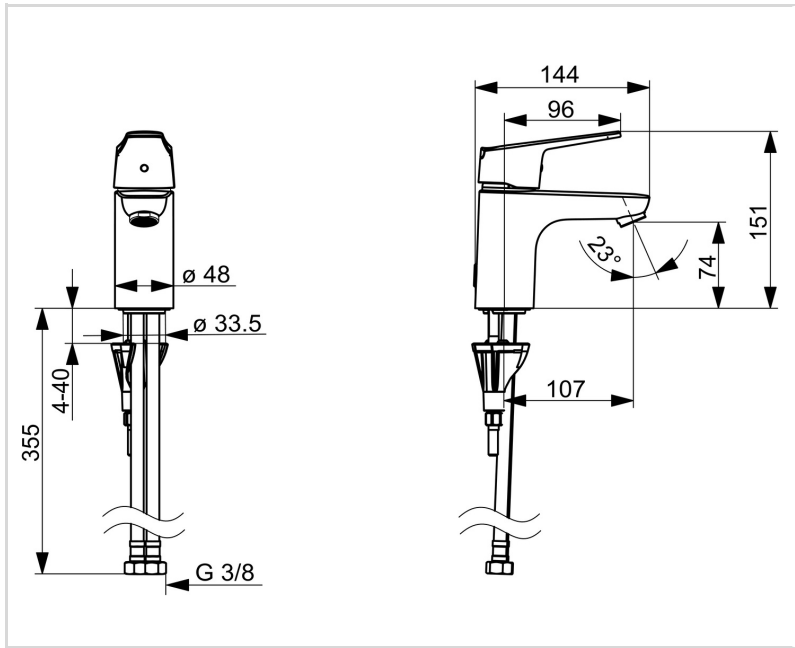
EN standard	<b>EN 817</b>
Noise class	<b>I (ISO 3822)</b>

### APPROVALS AND DECLARATIONS

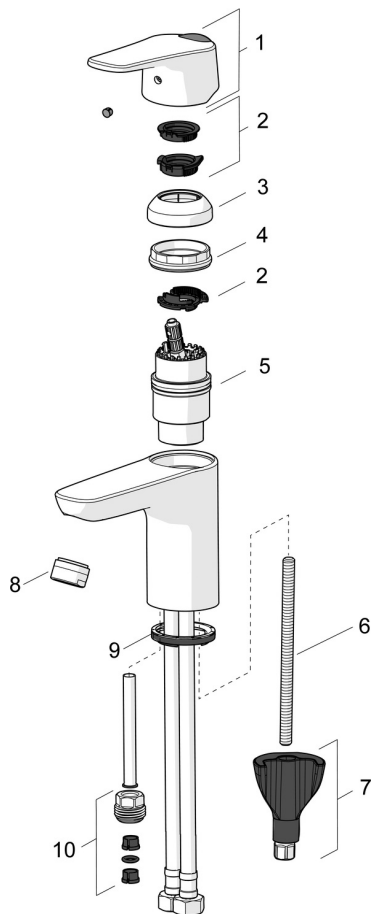
Sintef	<b>Sintef Nr. 3637</b>
SE Energy Mark	<b>1603</b>
KIWA SE	<b>1588</b>
Declaration of conformity	<b>DoC</b>
EPD	<b>S-P-06391</b>

### SUSTAINABILITY

EPD module A1-A3 (kg CO2 eq.)	<b>7,13</b>
EPD module A4 (kg CO2 eq.)	<b>0,20</b>
EPD module B7 (kg CO2 eq.)	<b>1668,60</b>
EPD module C2 (kg CO2 eq.)	<b>0,01</b>
EPD module C3 (kg CO2 eq.)	<b>0,01</b>
EPD module C4 (kg CO2 eq.)	<b>0,06</b>
EPD module D (kg CO2 eq.)	<b>-5,07</b>



**SPARE PARTS**



**SP1812FG**

Name	Code
01 Lever Chrome	1000935V
02 Limiter	1004821V
03 Covering cap Chrome	1000664V
04 Tightening nut, M42x1.5, SW 38	158726
05 Cartridge	158890
06 Fixing screw, M8x1, L=130	1000780V
07 Fixing set	602610V
08 Aerator, M24x1 STD HC A Chrome	232211
09 Bottom seal	1002371V
10 Nipple	159684
N.I. Plug	117929/10
N.I. Holder	1002369V