

1825G Oras Vega ECO Kitchen faucet with dishwasher valve

Discontinued

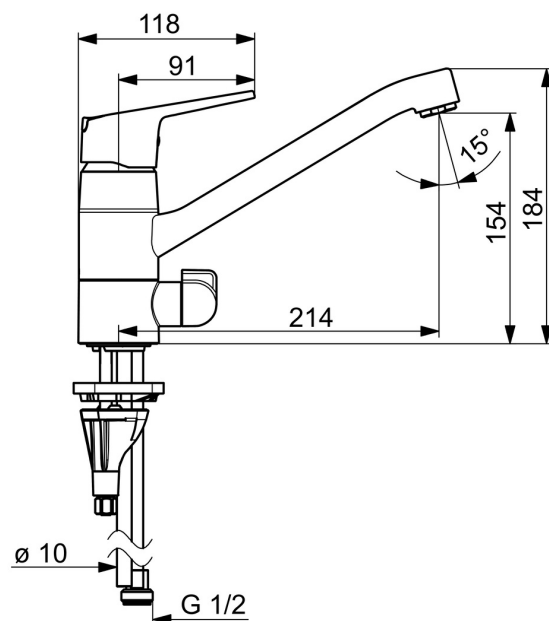
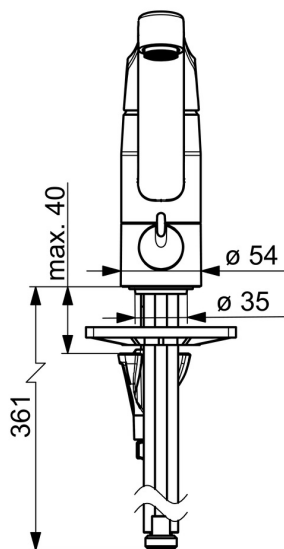
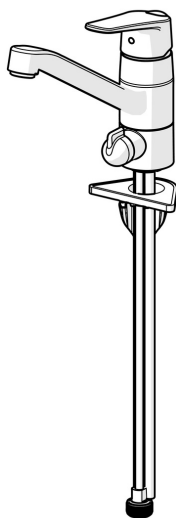
EAN: 6414150089510

static.oras.com/1825G



Kitchen faucet with dishwasher valve with ceramic valve 90° rotation for ON/OFF. Spout's swing angle is factory preset at 120° (can be limited to 40°-80°). Lever is equipped with an eco-button for limiting flow-rate, which can be bypassed by pressing the button.

- Kitchen
- Single-lever, Dishwasher valve
- Deck mounted
- Chrome
- Swivel spout, Swivel range limiting option
- Standard aerator
- Mechanic stop valve for external equipment
- Single operating lever/handle, Eco feature for water flow, Hot/Cold symbols
- Limitation option for maximum temperature and flow-rate
- \varnothing 40 mm ceramic cartridge for flow and temperature control
- Copper inlet pipes
- 3S-installation system for safe and simple mounting



Technical data

Flow properties

Eco-flow at 300 kPa	0.15 l/s
Flow-rate at 300 kPa	0.29 l/s
Pressure loss with flow (0.2 l/s)	145 kPa

Technical properties

Hot water supply	max. +80°C
Working pressure	50 - 1000 kPa
Connection size	Ø 10 mm
Projection	214 mm
Backflow prevention (EN1717)	AA
Material	Brass
Spout swivel range	120° (40° - 80°)

Regulations

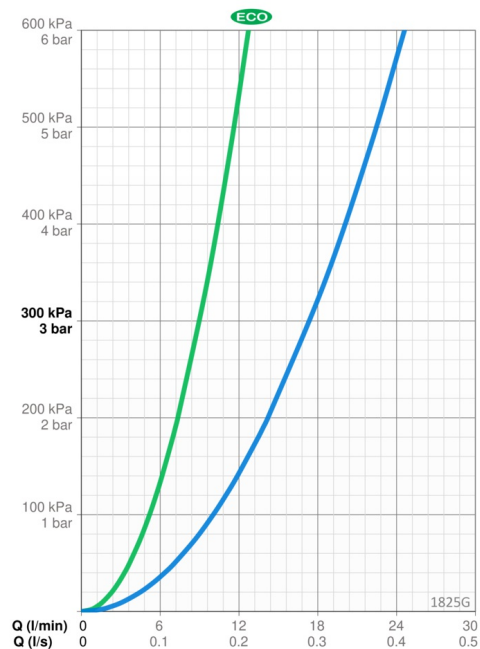
EN standard	EN 817
Noise class	I (ISO 3822)

Approvals and Declarations

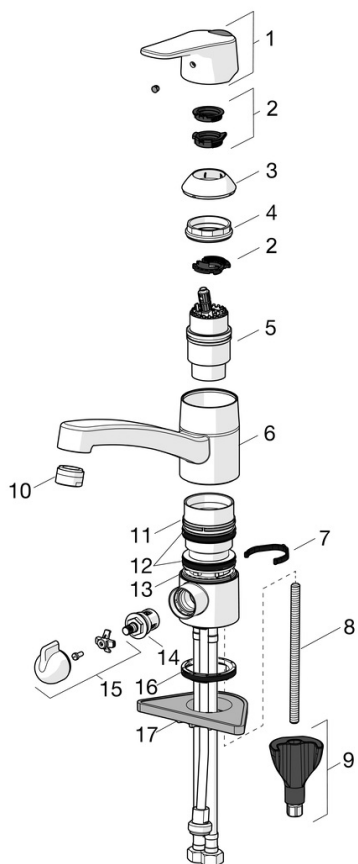
Declaration of conformity	DoC
EPD	S-P-06396

Sustainability

EPD module A1 (kg CO2 eq.)	9,37
EPD module A2 (kg CO2 eq.)	0,45
EPD module A3 (kg CO2 eq.)	4,12
EPD module A1-A3 (kg CO2 eq.)	13,93
EPD module A4 (kg CO2 eq.)	0,28
EPD module B7 (kg CO2 eq.)	3546,00
EPD module C2 (kg CO2 eq.)	0,02
EPD module C3 (kg CO2 eq.)	0,02
EPD module C4 (kg CO2 eq.)	0,42
EPD module D (kg CO2 eq.)	-7,87



Spare parts



SP1825FG

	Name	Code
01	Lever	1000935V
02	Limiter	1004821V
03	Covering cap	602589V
04	Tightening nut, M42x1.5, SW 38	158726
05	Cartridge	158890
06	Spout, L=210	1005585V
07	Spout overturning stopper, 40°-80°	1002207/10
07	Spout overturning stopper, 120°	1001406/10
08	Fixing screw, M8x1, L=130	1000780V
09	Fixing set	602610V
10	Aerator, M24x1 STD HC B	232210
11	Bearing ring	601097/10
12	X-sealing set	158735
13	Bearing ring	159423/10
14	Headpart, G1/2	602600V
15	Handle for washing machine valve	1005697V
16	Bottom seal	1002371V
17	Supporting plate, 100x60mm	158825