



Utility room faucet with side brush. Swivel spout and aerator. Spout's swing angle is factory preset at 120° (can be limited to 40°-80°). Lever is equipped with an eco-button for limiting flow-rate, which can be bypassed by pressing the button.

- Deck mounted
- Chrome
- Swivel spout, Swivel range limiting option, Profile construction
- Standard aerator
- Single operating lever/handle, Hot/Cold symbols, Eco feature for water flow
- Shower holder, Shower hose (1500 mm)
- Side brush
- Limitation option for maximum temperature and flow-rate
- ø 40 mm ceramic cartridge for flow and temperature control
- Copper inlet pipes
- 3S-installation system for safe and simple mounting
- 1 spray function

TECHNICAL DATA

FLOW PROPERTIES

Eco-flow at 300 kPa	0.07 l/s
Flow-rate at 300 kPa	0.17 l/s
Pressure loss with flow (0.1 l/s)	105 kPa

TECHNICAL PROPERTIES

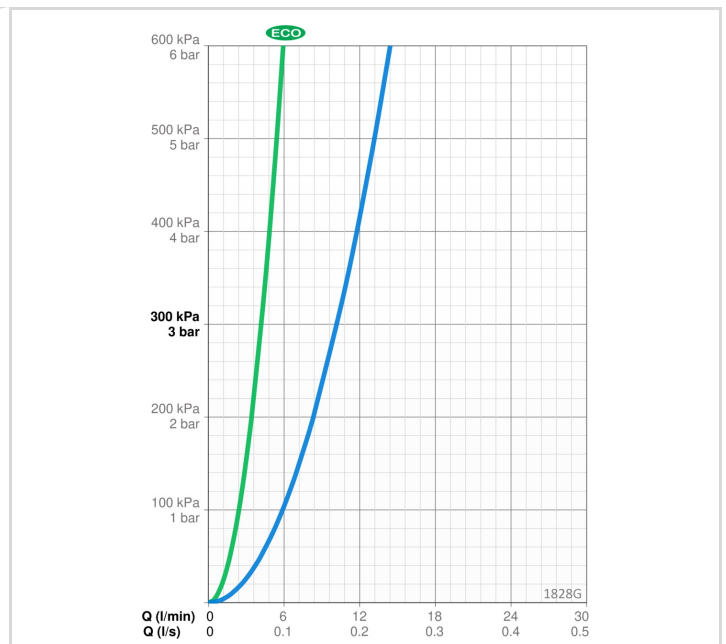
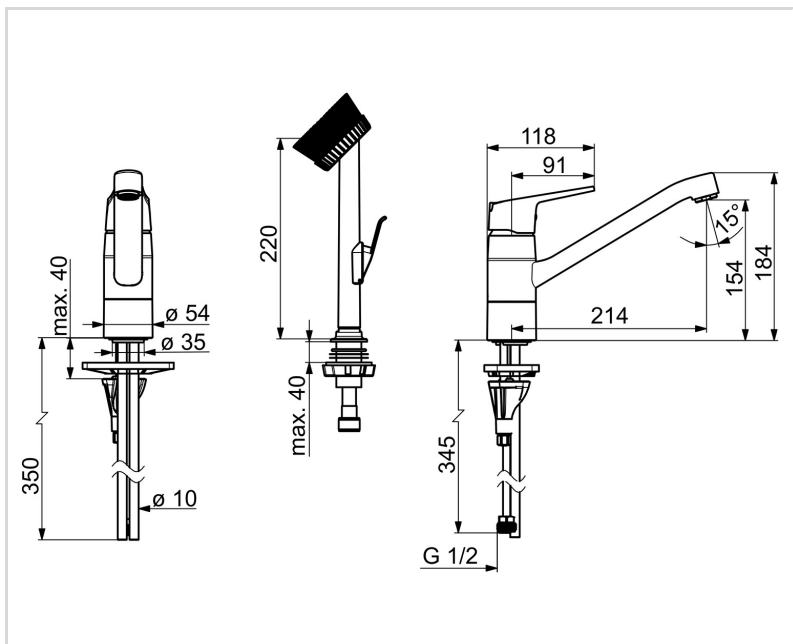
Hot water supply	max. +80°C
Working pressure	50 - 1000 kPa
Connection size	Ø 10 mm
Projection	214 mm
Backflow prevention (EN1717)	HC
Material	Brass

REGULATIONS

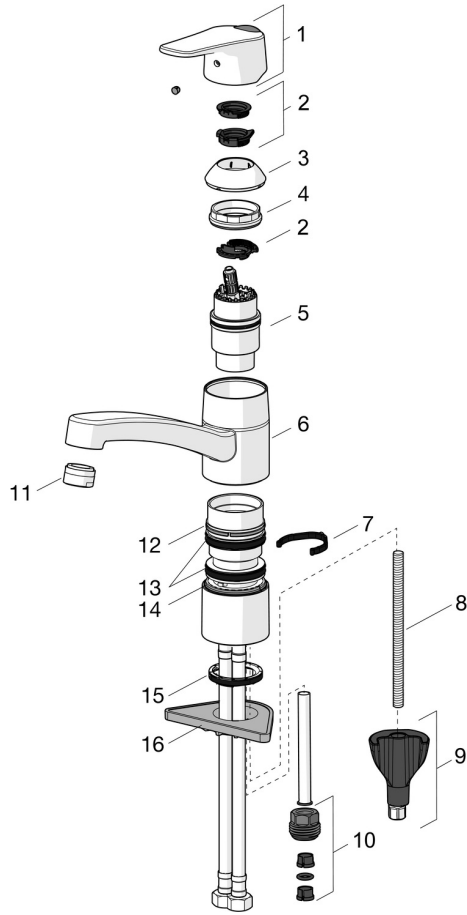
EN standard	EN 817, EN 1113
Noise class	I (ISO 3822)

APPROVALS AND DECLARATIONS

STF certificate	EUF129-20000935-TH1
Declaration of conformity	DoC



SPARE PARTS



SP1820FG

	Name	Code
01	Lever Chrome	1000935V
02	Limiter	1004821V
03	Covering cap Chrome	602589V
04	Tightening nut, M42x1.5, SW 38	158726
05	Cartridge	158890
06	Spout, L=210 Chrome	1005585V
07	Spout overturning stopper, 40°-80°	1002207/10
07	Spout overturning stopper, 120°	1001406/10
08	Fixing screw, M8x1, L=130	1000780V
09	Fixing set	602610V
10	Nipple	159684
11	Aerator, M24x1 STD HC B Chrome	232210
12	Bearing ring	601097/10
13	X-sealing set	158735
14	Bearing ring	159423/10
15	Bottom seal	1002371V
16	Supporting plate, 100x60mm	158825