



Utility room faucet with dishwasher valve and side brush. Swivel spout and aerator. Spout's swing angle is factory preset at 120° (can be limited to 40°-80°). Lever is equipped with an eco-button for limiting flow-rate, which can be bypassed by pressing the button.

- Deck mounted
- Chrome
- Swivel spout, Swivel range limiting option, Profile construction
- Standard aerator
- Mechanic stop valve for external equipment
- Single operating lever/handle, Hot/Cold symbols, Eco feature for water flow
- Shower holder, Shower hose (1500 mm)
- Side brush
- Limitation option for maximum temperature and flow-rate
- ø 40 mm ceramic cartridge for flow and temperature control
- Copper inlet pipes
- 3S-installation system for safe and simple mounting
- 1 spray function

TECHNICAL DATA

FLOW PROPERTIES

Eco-flow at 300 kPa	0.07 l/s
Flow-rate at 300 kPa	0.17 l/s
Pressure loss with flow (0.1 l/s)	105 kPa

TECHNICAL PROPERTIES

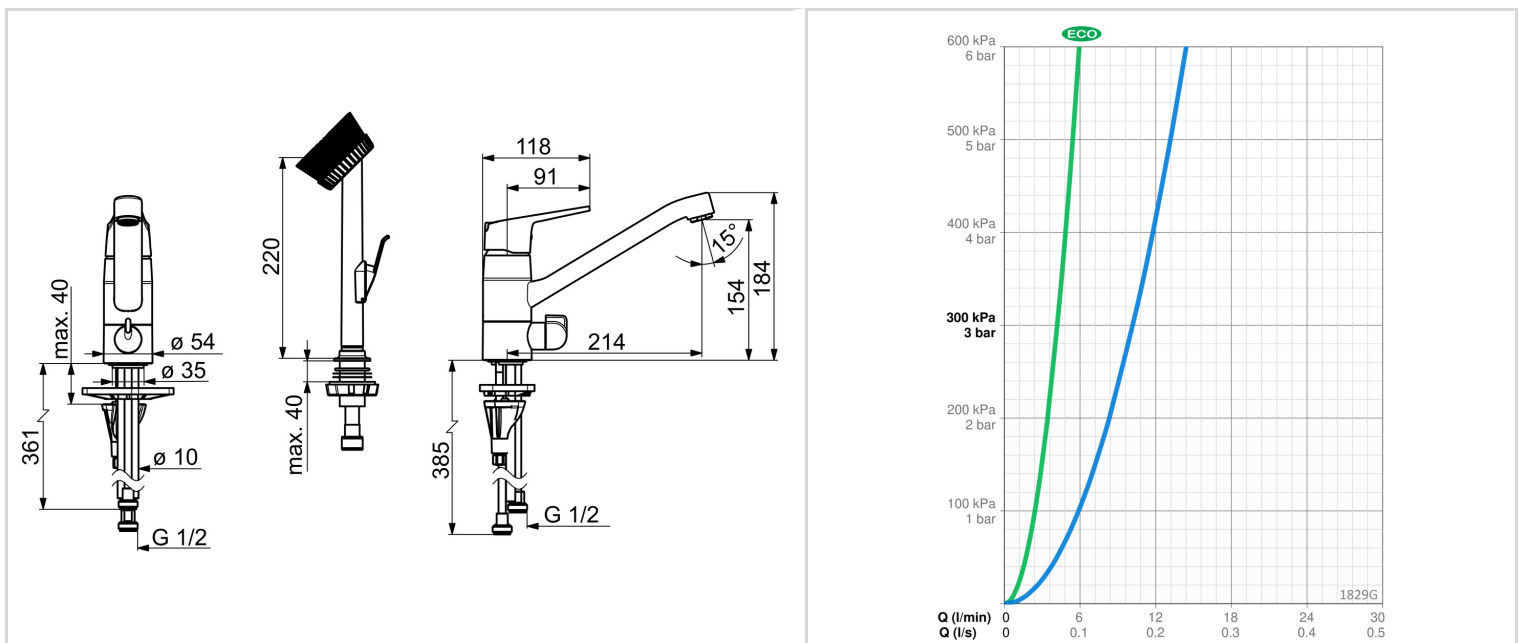
Hot water supply	max. +80°C
Working pressure	50 - 1000 kPa
Connection size	Ø 10 mm
Projection	214 mm
Backflow prevention (EN1717)	HC
Material	Brass

REGULATIONS

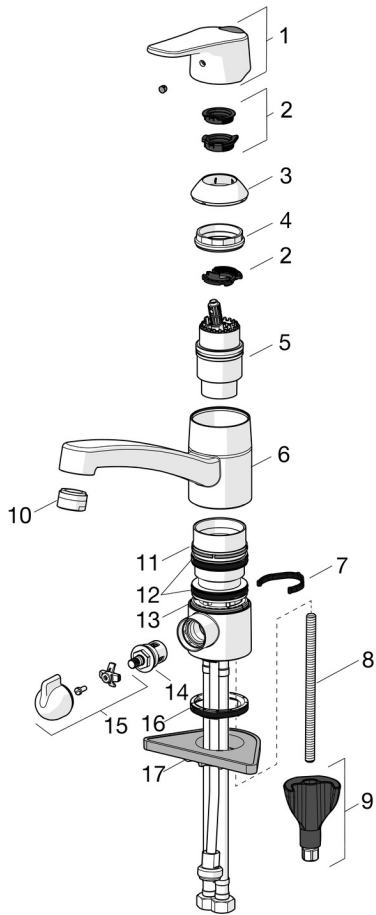
EN standard	EN 817, EN 1113
Noise class	I (ISO 3822)

APPROVALS AND DECLARATIONS

STF certificate	EUF129-20000935-TH1
Declaration of conformity	DoC



SPARE PARTS



SP1825FG

	Name	Code
01	Lever Chrome	1000935V
02	Limiter	1004821V
03	Covering cap Chrome	602589V
04	Tightening nut, M42x1.5, SW 38	158726
05	Cartridge	158890
06	Spout, L=210 Chrome	1005585V
07	Spout overturning stopper, 40°-80°	1002207/10
07	Spout overturning stopper, 120°	1001406/10
08	Fixing screw, M8x1, L=130	1000780V
09	Fixing set	602610V
10	Aerator, M24x1 STD HC B Chrome	232210
11	Bearing ring	601097/10
12	X-sealing set	158735
13	Bearing ring	159423/10
14	Headpart, G1/2	602600V
15	Handle for washing machine valve Chrome	1005697V
16	Bottom seal	1002371V
17	Supporting plate, 100x60mm	158825