



1839FG ORAS VEGA ECO KITCHEN FAUCET WITH DISHWASHER VALVE

SINGLE-LEVER, DISHWASHER VALVE

EAN: 6414150089602 static.oras.com/1839FG

The Oras Vega Kitchen Faucet with Dishwasher Valve is a chrome-finished marvel designed for efficiency and sustainability. Featuring a high spout with a 120° swivel range, adjustable to 0° or 60°, it offers flexibility in kitchen tasks. The single-lever handle includes an eco-button, optimizing water flow for conservation without compromising performance. The ceramic valve ensures reliable operation with a 90° rotation for ON/OFF functionality. Equipped with a 3S-installation system, it guarantees safe and straightforward mounting. Ideal for HVAC professionals seeking a blend of innovation and practicality, this faucet is a testament to decades of water-saving expertise.



- Deck mounted
- Chrome
- Swivel spout, Swivel range limiting option
- Standard aerator
- Mechanic stop valve for external equipment
- Single operating lever/handle, Hot/Cold symbols, Eco feature for water flow
- Limitation option for maximum temperature and flow-rate
- ø 40 mm ceramic cartridge for flow and temperature control
- Flexible inlet pipes
- 3S-installation system for safe and simple mounting

TECHNICAL DATA

FLOW PROPERTIES

Eco-flow at 300 kPa	0.146 l/s
Flow-rate at 300 kPa	0.27 l/s
Pressure loss with flow (0.2 l/s)	170 kPa

TECHNICAL PROPERTIES

Hot water supply	max. +70°C
Working pressure	50 - 1000 kPa
Connection size	G3/8
Projection	178 mm
Backflow prevention (EN1717)	AA
Material	Brass

REGULATIONS

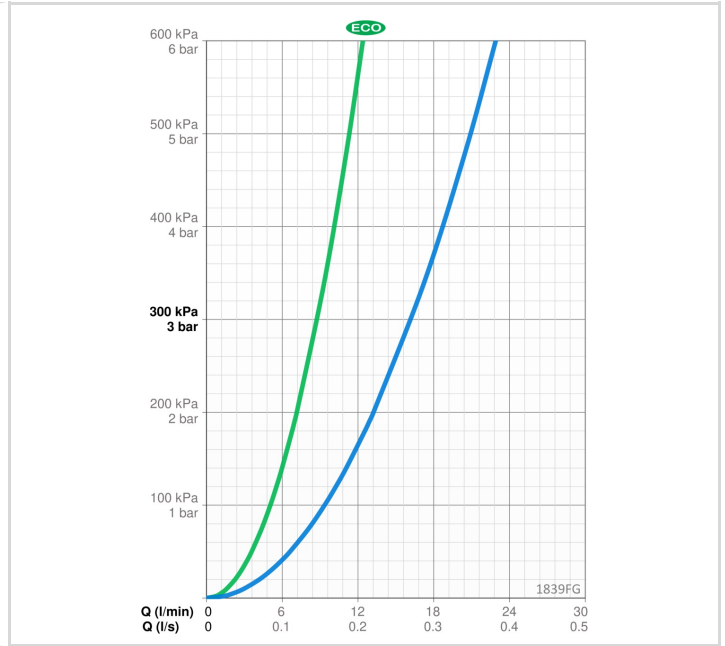
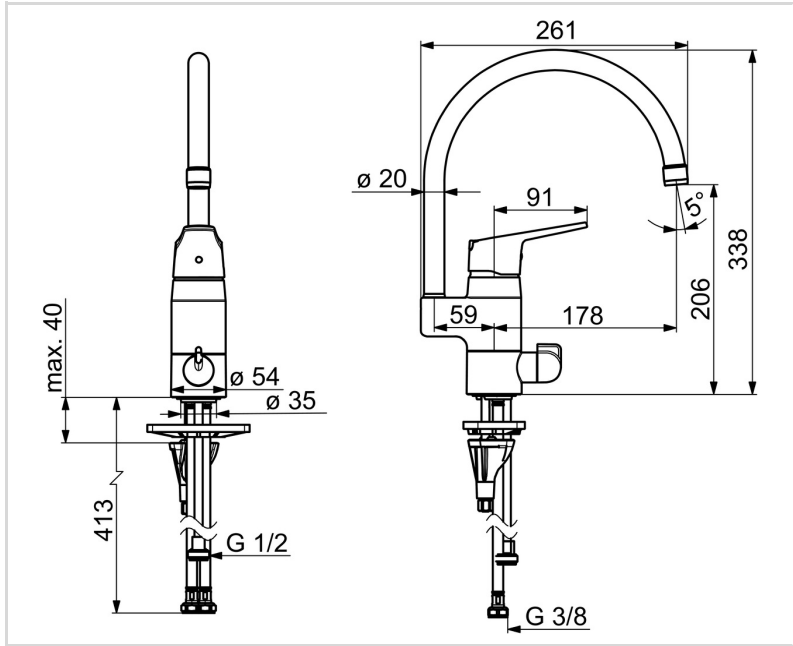
EN standard	EN 817
Noise class	I (ISO 3822)

APPROVALS AND DECLARATIONS

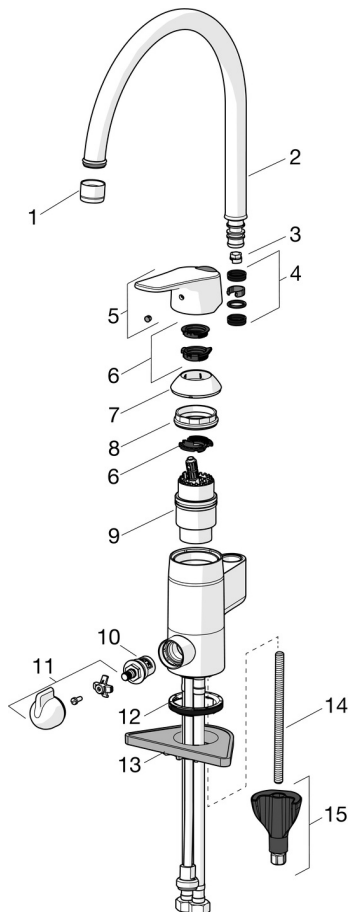
STF certificate	EUFI29-20000935-TH1
Declaration of conformity	DoC
EPD	S-P-06396

SUSTAINABILITY

EPD module A1-A3 (kg CO2 eq.)	14,38
EPD module A4 (kg CO2 eq.)	0,29
EPD module B7 (kg CO2 eq.)	3451,44
EPD module C2 (kg CO2 eq.)	0,02
EPD module C3 (kg CO2 eq.)	0,02
EPD module C4 (kg CO2 eq.)	0,44
EPD module D (kg CO2 eq.)	-8,13



SPARE PARTS



SP1839FG

Name	Code
01 Aerator, M22x1 HC B Chrome	232201
02 Spout Chrome	159695V
03 Spout overturning stopper, 60°/0°	159667/10
03 Spout overturning stopper, 120°	159670/10
03 Spout overturning stopper, 60°/0°	159667V
04 Sealing kit	159499
05 Lever Chrome	1000935V
06 Limiter	1004821V
07 Covering cap Chrome	602589V
08 Tightening nut, M42x1.5, SW 38	158726
09 Cartridge	158890
10 Headpart, G1/2	602600V
11 Handle for washing machine valve Chrome	1005697V
12 Bottom seal	1002371V
13 Supporting plate, 100x60mm	158825
14 Fixing screw, M8x1, L=130	1000780V
15 Fixing set	602610V