



1840G ORAS VEGA ECO BATH AND SHOWER FAUCET

SINGLE-LEVER

EAN: 6414150089626 static.oras.com/1840G

Bath and shower faucet. Fixed spout, diverter and aerator. Lever is equipped with an eco-button for limiting water temperature and flow-rate, which can be bypassed by pressing the button.



- Wall mounted
- Chrome
- Fixed spout
- Standard aerator
- Eco feature for water flow, Hot/Cold symbols, Safety feature for water temperature, Single operating lever/handle
- Pull operated diverter
- Limitation option for maximum temperature and flow-rate
- \varnothing 40 mm ceramic cartridge for flow and temperature control

TECHNICAL DATA

FLOW PROPERTIES

Eco-flow at 300 kPa	0.19 l/s
Flow-rate at 300 kPa	0.33 l/s
Pressure loss with flow (0.2 l/s)	160 kPa
Pressure loss with flow (0.3 l/s)	295 kPa

TECHNICAL PROPERTIES

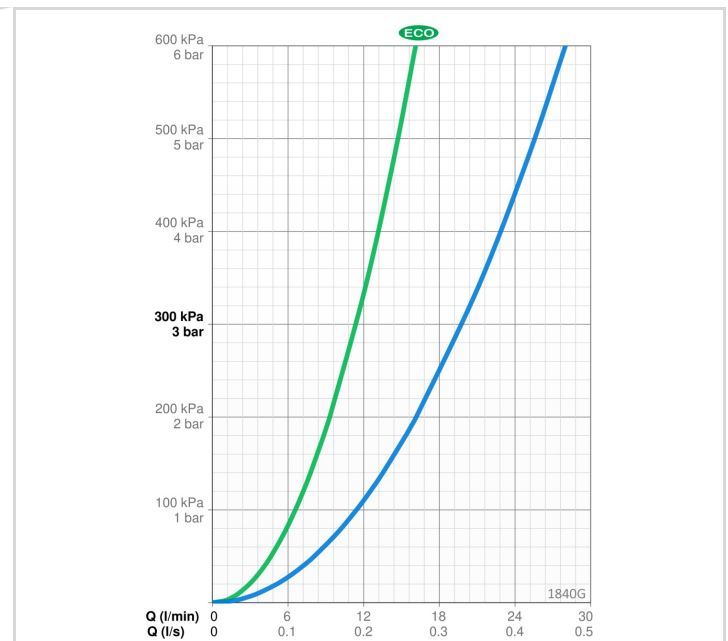
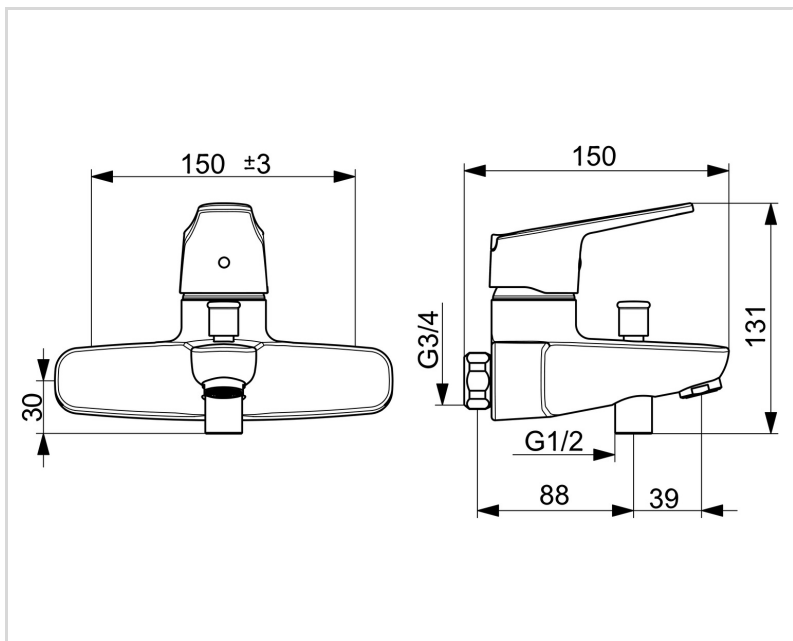
Hot water supply	max. +80°C
Working pressure	50 - 1000 kPa
Connection size	G3/4
Installation width	150 \pm 3 mm
Projection	127 mm
Backflow prevention (EN1717)	HC
Material	Brass

REGULATIONS

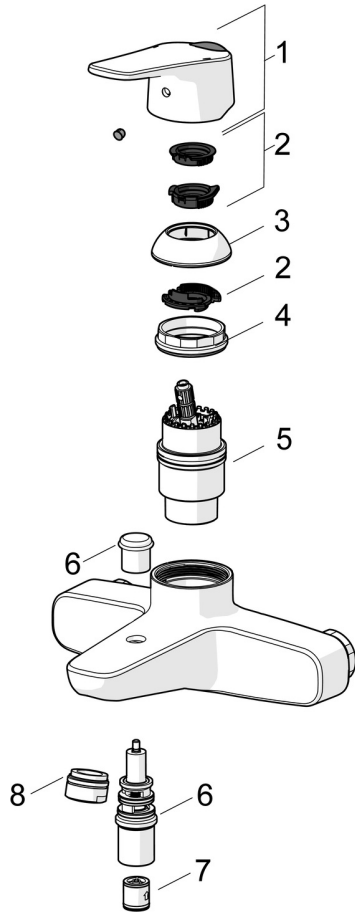
EN standard	EN 817
Noise class	I (ISO 3822)

APPROVALS AND DECLARATIONS

STF certificate	EUF129-20000935-TH2
Declaration of conformity	DoC



SPARE PARTS



SP1840G

	Name	Code
01	Lever Chrome	1000935V
02	Limiter	1004821V
03	Covering cap Chrome Discontinued	602503V
04	Tightening nut, M42x1.5, SW 38	158726
05	Cartridge	158890
06	Diverter Chrome	602103V
07	Non-return valve	601989V
08	Aerator, M24x1 D Chrome Discontinued	602104V