



1875G ORAS VEGA SHOWER FAUCET

SINGLE-LEVER

EAN: 6414150089695 static.oras.com/1875G



Shower faucet. Shower hose connection G1/2. Lever is equipped with an eco-button for limiting water temperature and flow-rate, which can be bypassed by pressing the button

- Wall mounted
- Chrome
- Eco feature for water flow, Hot/Cold symbols, Safety feature for water temperature, Single operating lever/handle
- Limitation option for maximum temperature and flow-rate
- ø 40 mm ceramic cartridge for flow and temperature control, Non-return valve(s)

TECHNICAL DATA

FLOW PROPERTIES

Eco-flow at 300 kPa	0.16 l/s
Flow-rate at 300 kPa	0.26 l/s
Flow-rate at 300 kPa (with flow reducers)	0.2 l/s
Pressure loss 0.2 l/s (with flow reducers)	300 kPa
Pressure loss with flow (0.2 l/s)	180 kPa

TECHNICAL PROPERTIES

Hot water supply	max. +80°C
Working pressure	50 - 1000 kPa
Connection size	G3/4
Installation width	150 ± 3 mm
Backflow prevention (EN1717)	EB
Material	Brass

REGULATIONS

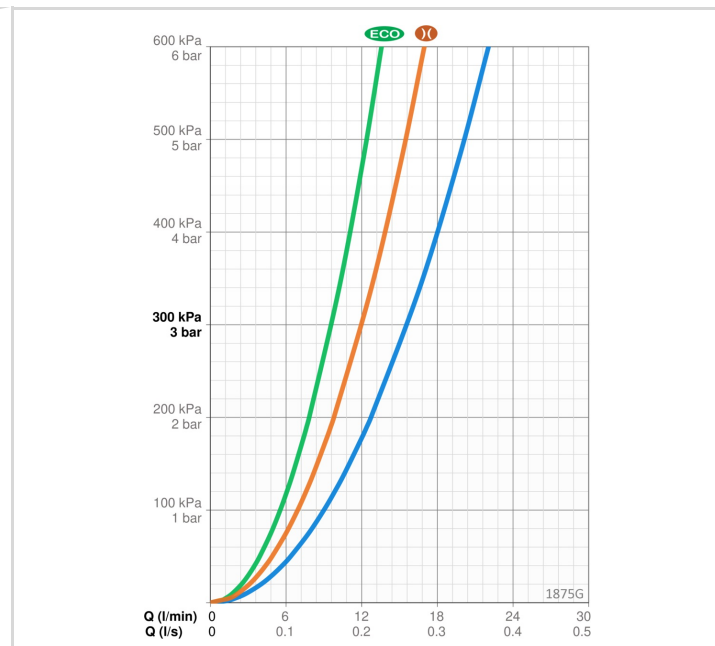
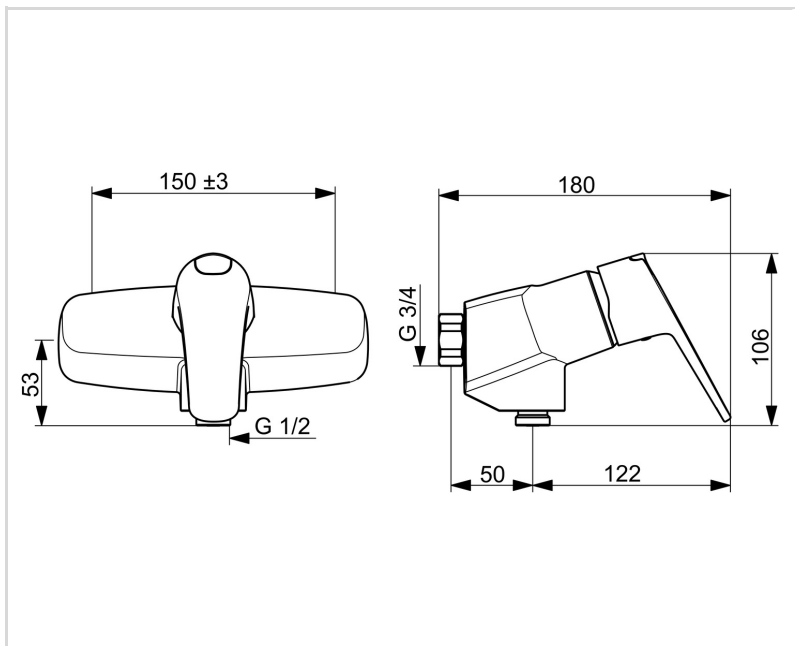
EN standard	EN 817
Noise class	I (ISO 3822)

APPROVALS AND DECLARATIONS

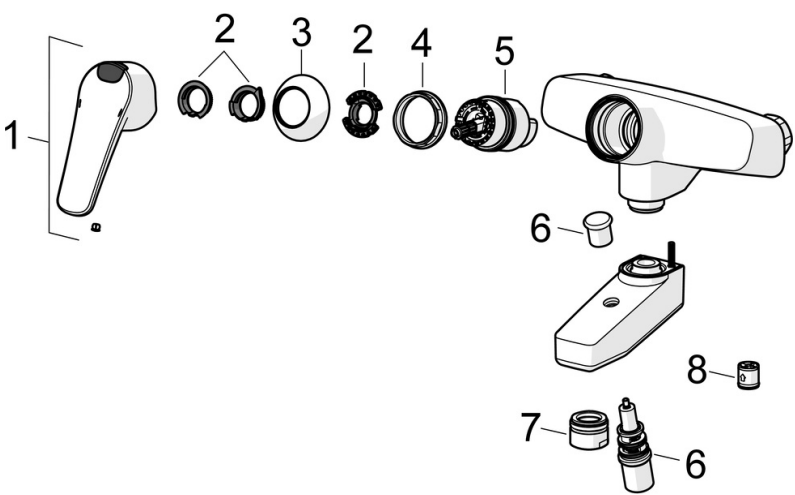
STF certificate	EUF129-20000935-TH2
Declaration of conformity	DoC
EPD	S-P-06397

SUSTAINABILITY

EPD module A1-A3 (kg CO2 eq.)	6,80
EPD module A4 (kg CO2 eq.)	0,24
EPD module B7 (kg CO2 eq.)	1688,00
EPD module C2 (kg CO2 eq.)	0,01
EPD module C3 (kg CO2 eq.)	0,01
EPD module C4 (kg CO2 eq.)	0,48
EPD module D (kg CO2 eq.)	-4,31



SPARE PARTS



SP1875G

	Name	Code
01	Lever Chrome	1000935V
02	Limiters	1004821V
03	Covering cap Chrome	1000785V
04	Tightening nut, M42x1.5, SW 38	158726
05	Cartridge	158890
06	Diverter Chrome	602103V
07	Aerator, M28x1 HC D Chrome	232213
08	Non-return valve	601989V