



Hand shower holder

- Accessories
- Wall mounted
- Chrome
- Wall connection elbow, Shower holder
- Non-return valve(s)
- Ball eccentric coupling(s)

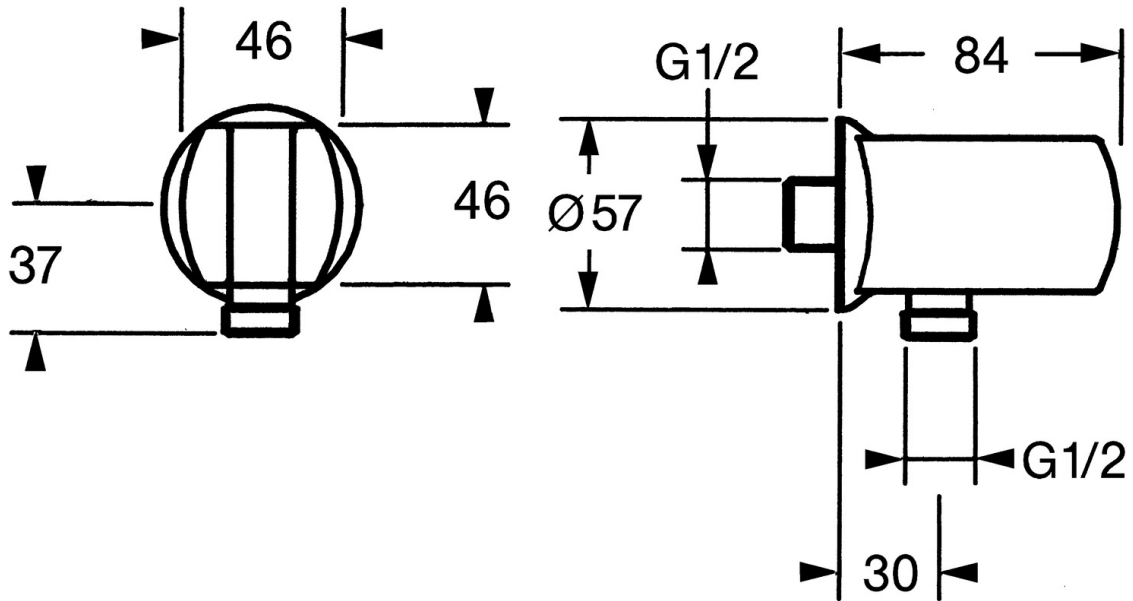
## TECHNICAL DATA

### TECHNICAL PROPERTIES

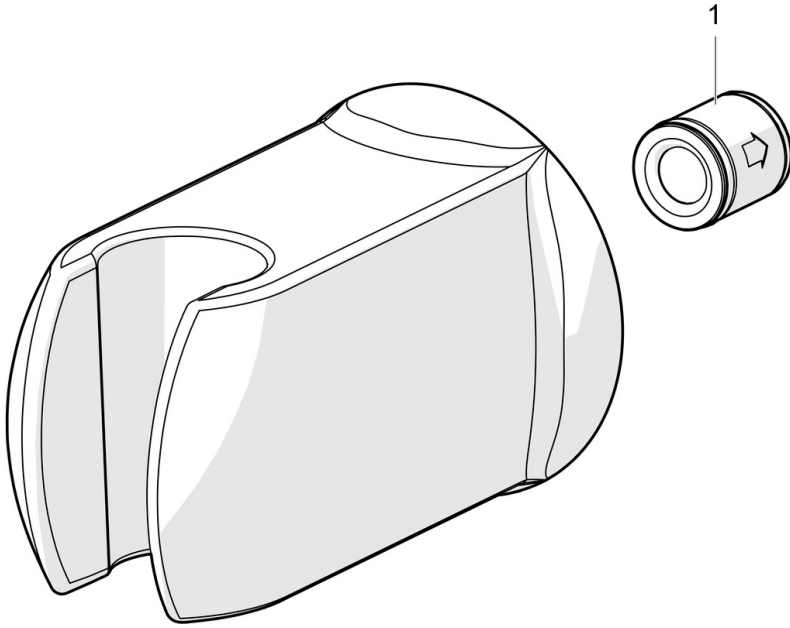
Connection size	G1/2
Backflow prevention (EN1717)	EB
Material	Brass

### APPROVALS AND DECLARATIONS

Declaration of conformity	DoC
---------------------------	-----



SPARE PARTS



SP251310

	Name	Code
01	Non-return valve	601989V