



2601FH-33 ORAS OPTIMA STYLE HIGH WASHBASIN FAUCET

SINGLE-LEVER

EAN: 6414150102523 static.oras.com/2601FH-33

When great design becomes an attraction of its own, you know it will make a difference in your life. Besides bringing beauty to life, this new classic is also designed to bring any modern bathroom to the next level.

Slender design and graceful shapes make this faucet the highlight of any space.



High quality
Sleek design
Anti-limescale rubber aerator for easy cleaning
Designed to compliment any bowl sink
Made in Europe

Perfect fit for any bathroom

- Deck mounted
- Matt black
- Fixed spout
- Standard aerator, PCA® - constant flow rate regardless of pressure variations
- Single operating lever/handle, Pin shape, Hot/Cold symbols
- Limitation option for maximum temperature and flow-rate, Adjustable hot water stop (included, retrofittable)
- ø 30 mm ceramic cartridge for flow and temperature control
- Flexible inlet pipes
- Inner body made of DZR brass
- Without pop-up waste

TECHNICAL DATA

FLOW PROPERTIES

Flow-rate at 300 kPa (with flow controller)	0.1 l/s
Pressure loss with flow (0.1 l/s)	150 kPa

TECHNICAL PROPERTIES

Hot water supply	max. +70°C
Working pressure	50 - 1000 kPa
Connection size	G3/8
Projection	168 mm
Backflow prevention (EN1717)	AA
Material	Brass

REGULATIONS

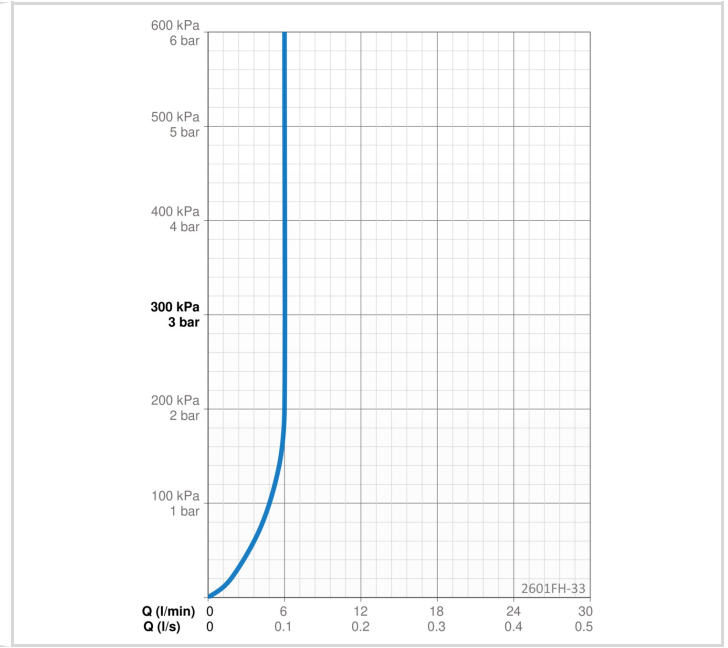
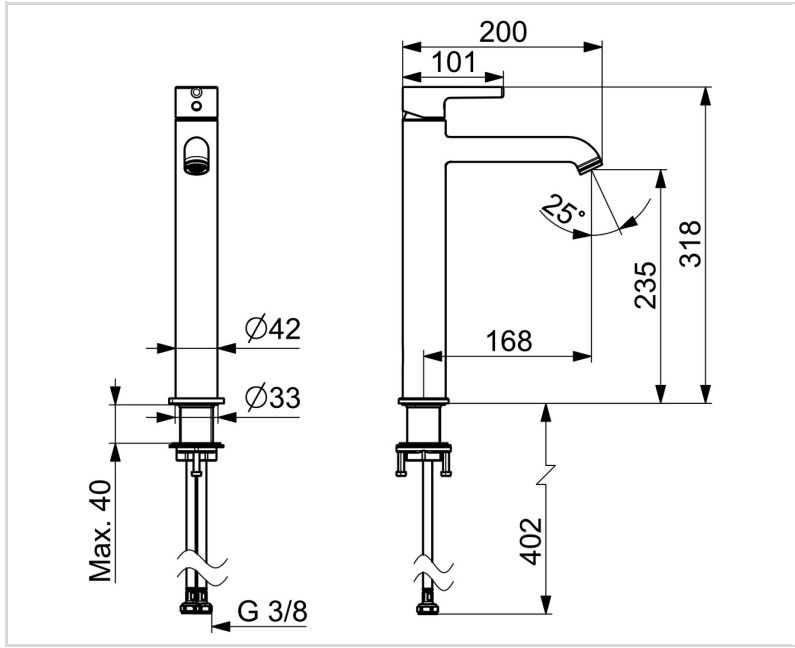
EN standard	EN 817
Noise class	I (ISO 3822)

APPROVALS AND DECLARATIONS

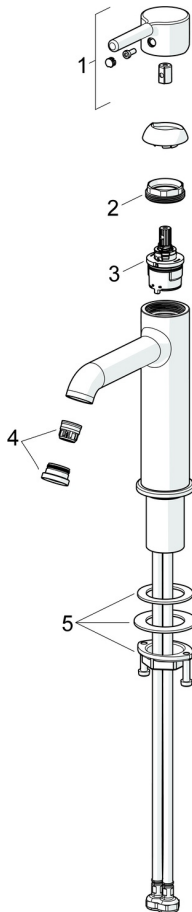
STF certificate	EUFI29-23002169-TH1
KIWA SE	1847
Declaration of conformity	DoC
EPD	S-P-06391

SUSTAINABILITY

EPD module A1-A3 (kg CO2 eq.)	11,66
EPD module A4 (kg CO2 eq.)	0,32
EPD module B7 (kg CO2 eq.)	1854,00
EPD module C2 (kg CO2 eq.)	0,02
EPD module C3 (kg CO2 eq.)	0,02
EPD module C4 (kg CO2 eq.)	0,09
EPD module D (kg CO2 eq.)	-8,30



SPARE PARTS



SP2606FH-33

Name	Code
01 Lever Matt black	1012011V-33
02 Tightening nut, M34x1.5, SW30	1012133V
03 Cartridge, 3.0	1014428V
04 Aerator and key, PCA 1.5 gpm Matt black	1012273V-33
05 Fixing set	602629V