



The Oras Optima is the perfect fit for any bathroom, with a proven expert quality you can rely on, no matter your specific needs. Durable and long-lasting in both design and service life, this faucet brings you joy and confidence for years to come.

Functional considerations and a dedicated level of detail offer a new user experience.

Easy to install with the 3S installation system.

High quality  
Sleek design  
ColdStart  
Made in Europe

Washbasin faucet with maximum comfort

- Deck mounted
- Chrome
- Fixed spout
- PCA® - constant flow rate regardless of pressure variations
- Single operating lever/handle, Pin shape, Hot/Cold symbols
- Limitation option for maximum temperature and flow-rate, Energy saving variation (Cold Start) - cold water in the middle position
- ø 30 mm ceramic eco cartridge for flow and temperature control
- Flexible inlet pipes
- Inner body made of DZR brass
- Without pop-up waste

## TECHNICAL DATA

### FLOW PROPERTIES

Eco-flow at 300 kPa	<b>0.075 l/s</b>
Flow-rate at 300 kPa (with flow controller)	<b>0.083 l/s</b>
Pressure loss with flow (0.1 l/s)	<b>155 kPa</b>

### TECHNICAL PROPERTIES

Hot water supply	<b>max. +80°C</b>
Working pressure	<b>50 - 1000 kPa</b>
Connection size	<b>G3/8</b>
Projection	<b>114 mm</b>
Backflow prevention (EN1717)	<b>AA</b>
Material	<b>Brass</b>

### REGULATIONS

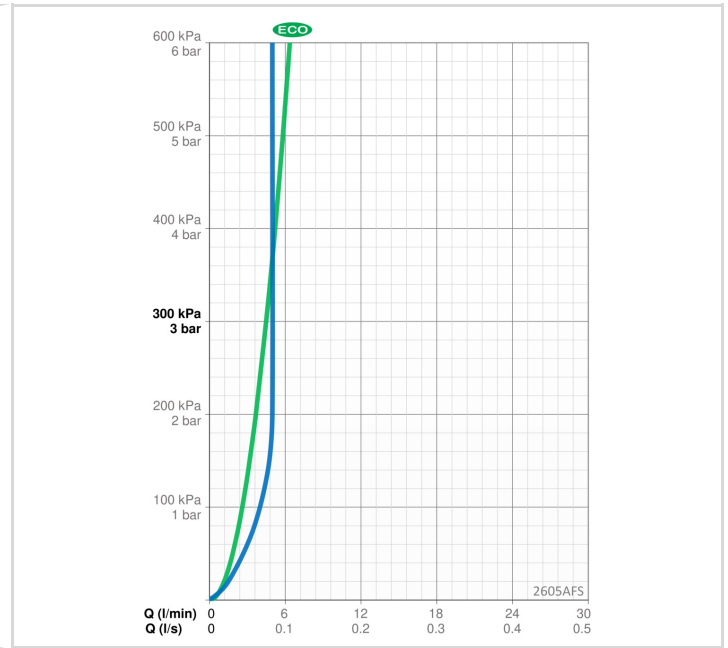
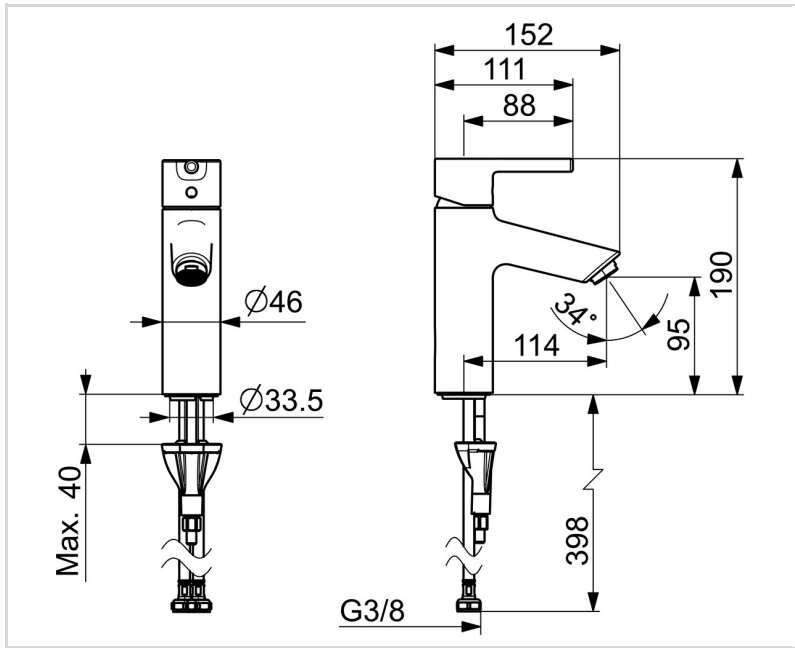
EN standard	<b>EN 817</b>
Noise class	<b>I (ISO 3822)</b>

### APPROVALS AND DECLARATIONS

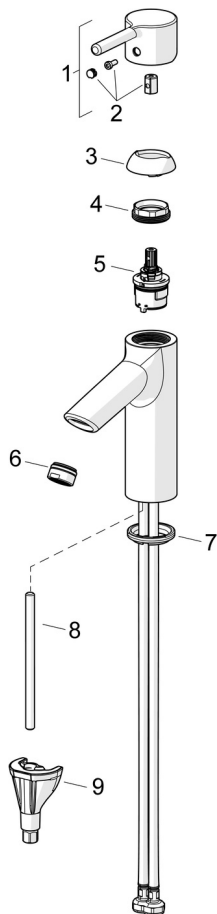
SE Energy Mark	<b>1905</b>
KIWA SE	<b>1847</b>
Declaration of conformity	<b>DoC</b>
EPD	<b>S-P-06391</b>

### SUSTAINABILITY

EPD module A1-A3 (kg CO2 eq.)	<b>9,03</b>
EPD module A4 (kg CO2 eq.)	<b>0,25</b>
EPD module B7 (kg CO2 eq.)	<b>1390,50</b>
EPD module C2 (kg CO2 eq.)	<b>0,02</b>
EPD module C3 (kg CO2 eq.)	<b>0,02</b>
EPD module C4 (kg CO2 eq.)	<b>0,07</b>
EPD module D (kg CO2 eq.)	<b>-6,42</b>



**SPARE PARTS**



**SP2610AFS**

Name	Code
01 Lever Chrome	1002095V
02 Symbol plug Chrome	1012105V
03 Covering cap Chrome	1012421V
04 Tightening nut, M34x1.5, SW30	1012133V
05 Cartridge, 3.0 Eco-limiter	1014430V
06 Aerator, M24x1, 6 l/min Chrome	601974V
07 Bottom seal	1002371V
08 Fixing screw, M8x1, L=130	1000780V
09 Fixing set	602610V