



# 2605FH-105 ORAS OPTIMA STYLE ECO WASHBASIN FAUCET

SINGLE-LEVER

EAN: 6414150102356 [static.oras.com/2605FH-105](http://static.oras.com/2605FH-105)

When great design becomes an attraction of its own, you know it will make a difference in your life. Besides bringing beauty to life, this new classic is also designed to bring any modern bathroom to the next level.

Slender design and graceful shapes make this faucet the highlight of any space.



High quality  
Sleek design  
Anti-limescale rubber aerator for easy cleaning  
Made in Europe

Perfect fit for any bathroom

- ECO Building
- Deck mounted
- Chrome
- Fixed spout
- Standard aerator, PCA® - constant flow rate regardless of pressure variations
- Single operating lever/handle, Pin shape, Hot/Cold symbols
- Anti limescale technology (easy to clean)
- Limitation option for maximum temperature and flow-rate, Adjustable hot water stop (included, retrofittable)
- ø 30 mm ceramic cartridge for flow and temperature control
- Flexible inlet pipes
- Inner body made of DZR brass
- Without pop-up waste

## TECHNICAL DATA

### FLOW PROPERTIES

Flow-rate at 300 kPa (with flow controller) **0.07 l/s**

### TECHNICAL PROPERTIES

Hot water supply **max. +70°C**  
Working pressure **50 - 1000 kPa**  
Connection size **G3/8**  
Projection **133 mm**  
Backflow prevention (EN1717) **AA**  
Material **Brass**

### REGULATIONS

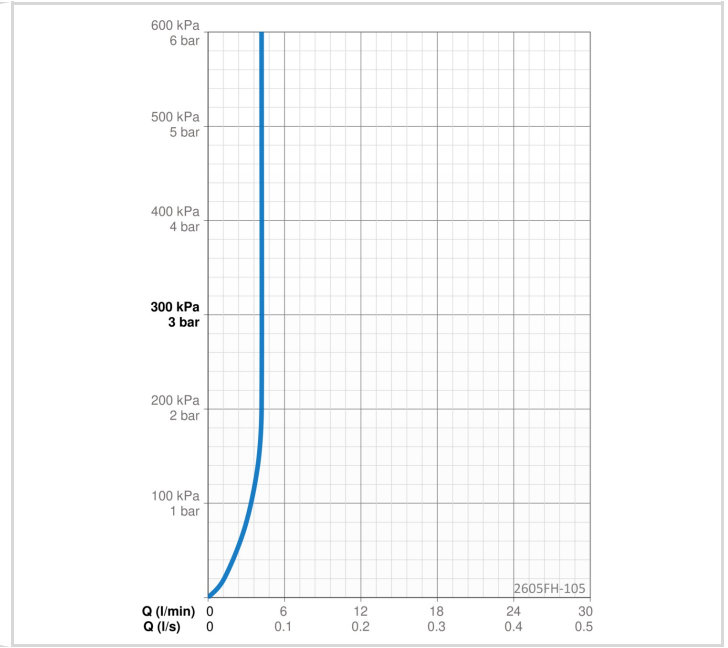
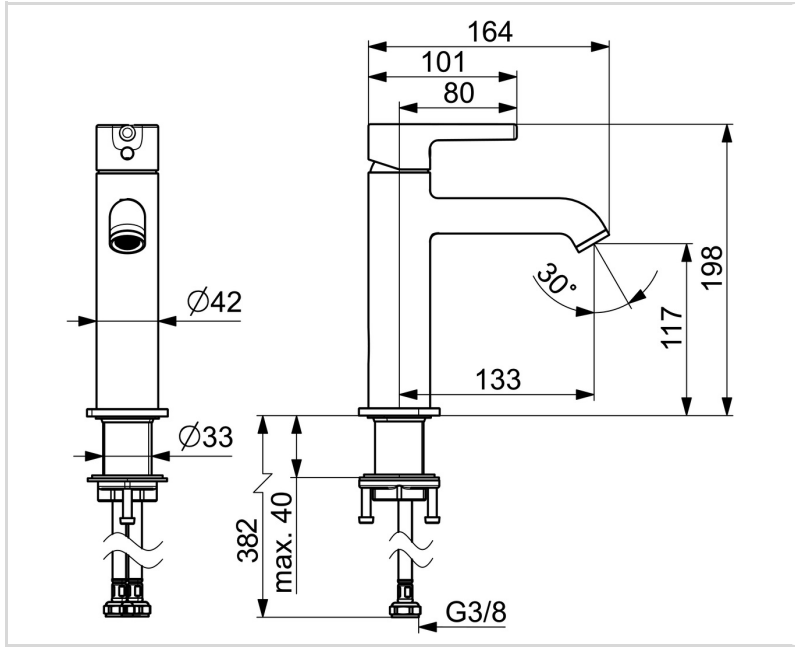
EN standard **EN 817**  
Noise class **I (ISO 3822)**

### APPROVALS AND DECLARATIONS

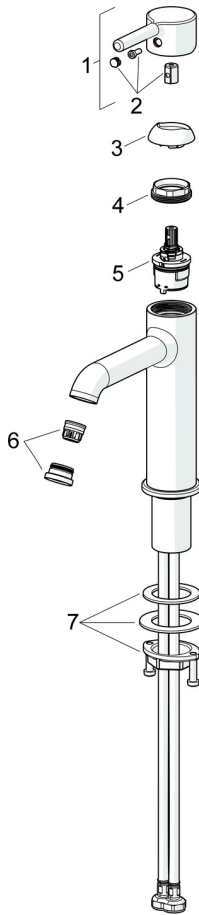
STF certificate **EUF129-23002169-TH1**  
KIWA SE **1847**  
Declaration of conformity **DoC**  
EPD **S-P-06391**

### SUSTAINABILITY

EPD module A1-A3 (kg CO2 eq.) **7,69**  
EPD module A4 (kg CO2 eq.) **0,21**  
EPD module B7 (kg CO2 eq.) **1297,80**  
EPD module C2 (kg CO2 eq.) **0,01**  
EPD module C3 (kg CO2 eq.) **0,02**  
EPD module C4 (kg CO2 eq.) **0,06**  
EPD module D (kg CO2 eq.) **-5,47**



**SPARE PARTS**



**SP2606FH-GB**

| Name                                   | Code     |
|--|----------|
| 01 Lever Chrome                        | 1012011V |
| 02 Symbol plug Chrome                  | 1012105V |
| 03 Covering cap Chrome                 | 1012132V |
| 04 Tightening nut, M34x1.5, SW30       | 1012133V |
| 05 Cartridge, 3.0                      | 1014428V |
| 06 Aerator and key, PCA 1.2 gpm Chrome | 1015437V |
| 07 Fixing set                          | 602629V  |