



When great design becomes an attraction of its own, you know it will make a difference in your life. Besides bringing beauty to life, this new classic is also designed to bring any modern bathroom to the next level.

Slender design and graceful shapes make this faucet the highlight of any space.

High quality  
Sleek design  
Anti-limescale rubber aerator for easy cleaning  
Made in Europe

Perfect fit for any bathroom

- Deck mounted
- Chrome
- Fixed spout
- Standard aerator, PCA® - constant flow rate regardless of pressure variations
- Single operating lever/handle, Pin shape, Hot/Cold symbols
- Anti limescale technology (easy to clean)
- Limitation option for maximum temperature and flow-rate, Adjustable hot water stop (included, retrofittable)
- ø 30 mm ceramic cartridge for flow and temperature control
- Flexible inlet pipes
- Inner body made of DZR brass
- Without pop-up waste

## TECHNICAL DATA

### FLOW PROPERTIES

Flow-rate at 300 kPa (with flow controller)	0.1 l/s
Pressure loss with flow (0.1 l/s)	195 kPa

### TECHNICAL PROPERTIES

Hot water supply	max. +70°C
Working pressure	50 - 1000 kPa
Connection size	G3/8
Projection	133 mm
Backflow prevention (EN1717)	AA
Material	Brass

### REGULATIONS

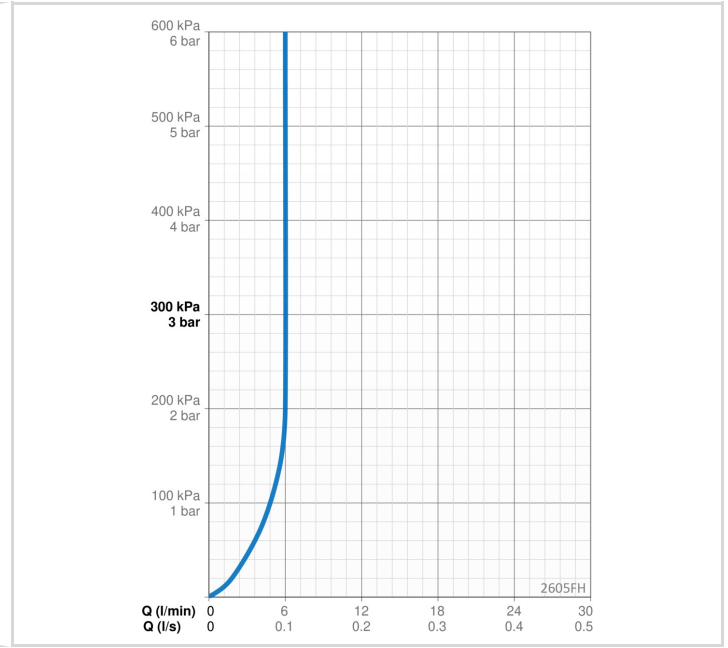
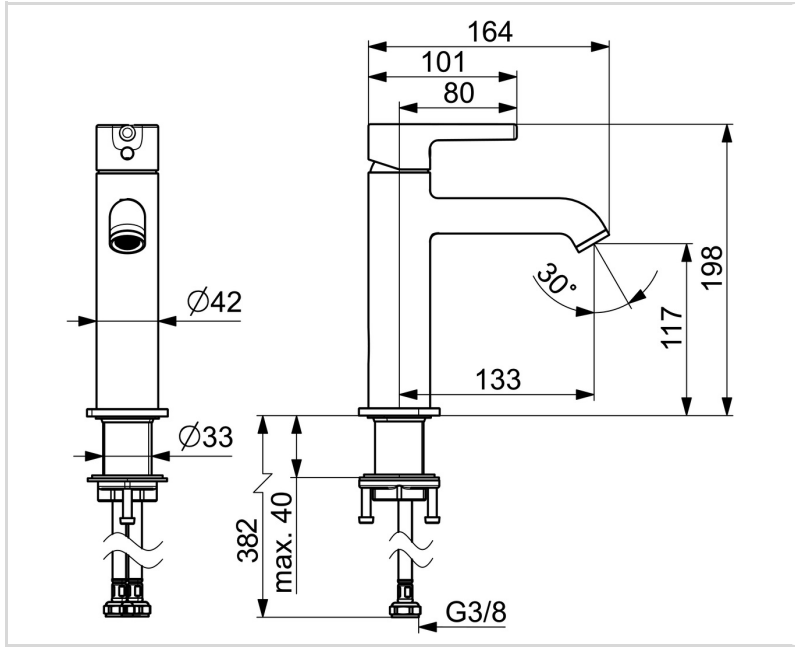
EN standard	EN 817
Noise class	I (ISO 3822)

### APPROVALS AND DECLARATIONS

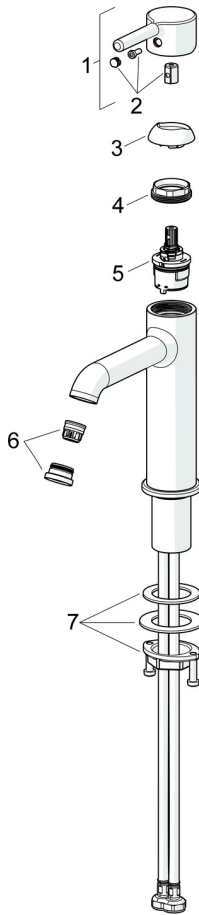
STF certificate	EUF129-23002169-TH1
KIWA SE	1847
Declaration of conformity	DoC
EPD	S-P-06391

### SUSTAINABILITY

EPD module A1-A3 (kg CO2 eq.)	7,49
EPD module A4 (kg CO2 eq.)	0,21
EPD module B7 (kg CO2 eq.)	1854,00
EPD module C2 (kg CO2 eq.)	0,01
EPD module C3 (kg CO2 eq.)	0,02
EPD module C4 (kg CO2 eq.)	0,06
EPD module D (kg CO2 eq.)	-5,33



**SPARE PARTS**



**SP2606FH**

Name	Code
01 Lever Chrome	1012011V
02 Symbol plug Chrome	1012105V
03 Covering cap Chrome	1012132V
04 Tightening nut, M34x1.5, SW30	1012133V
05 Cartridge, 3.0	1014428V
06 Aerator and key, PCA 5.7 l/min Chrome	1012273V
07 Fixing set	602629V