



2606AF-33 ORAS OPTIMA XL WASHBASIN FAUCET

SINGLE-LEVER, BIDETTA

EAN: 6414150102516 static.oras.com/2606AF-33



The Oras Optima is the perfect fit for any bathroom, with a proven expert quality you can rely on, no matter your specific needs. Durable and long-lasting in both design and service life, this faucet brings you joy and confidence for years to come.

Functional considerations and a dedicated level of detail offer a new user experience.

Easy to install with the 3S installation system.

High quality

Sleek design

Intuitive Bidetta solution

Made in Europe

Washbasin faucet with maximum comfort

- Deck mounted
- Matt black
- Fixed spout
- PCA® - constant flow rate regardless of pressure variations
- Single operating lever/handle, Pin shape, Hot/Cold symbols
- Hand shower, Shower holder, Shower hose (1750 mm)
- Bidetta hand shower
- Limitation option for maximum temperature and flow-rate
- ø 30 mm ceramic cartridge for flow and temperature control
- Flexible inlet pipes
- Inner body made of DZR brass, 3S-installation system for safe and simple mounting
- Without pop-up waste
- 1 spray function

TECHNICAL DATA

FLOW PROPERTIES

| | |
|---------------------------------------------|---------|
| Flow-rate at 300 kPa (with flow controller) | 0.1 l/s |
| Pressure loss with flow (0.1 l/s) | 195 kPa |

TECHNICAL PROPERTIES

| | |
|------------------------------|---------------|
| Hot water supply | max. +70°C |
| Working pressure | 50 - 1000 kPa |
| Connection size | G3/8 |
| Projection | 114 mm |
| Backflow prevention (EN1717) | HC |
| Material | Brass |

REGULATIONS

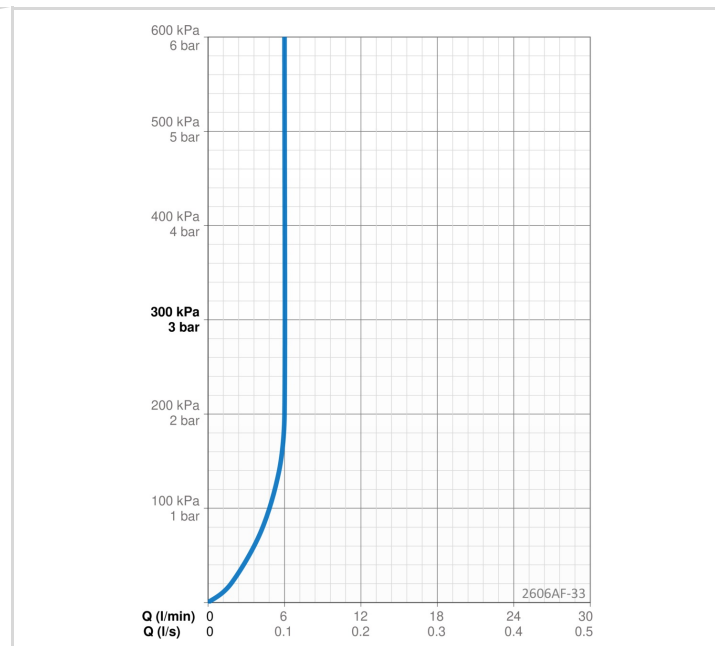
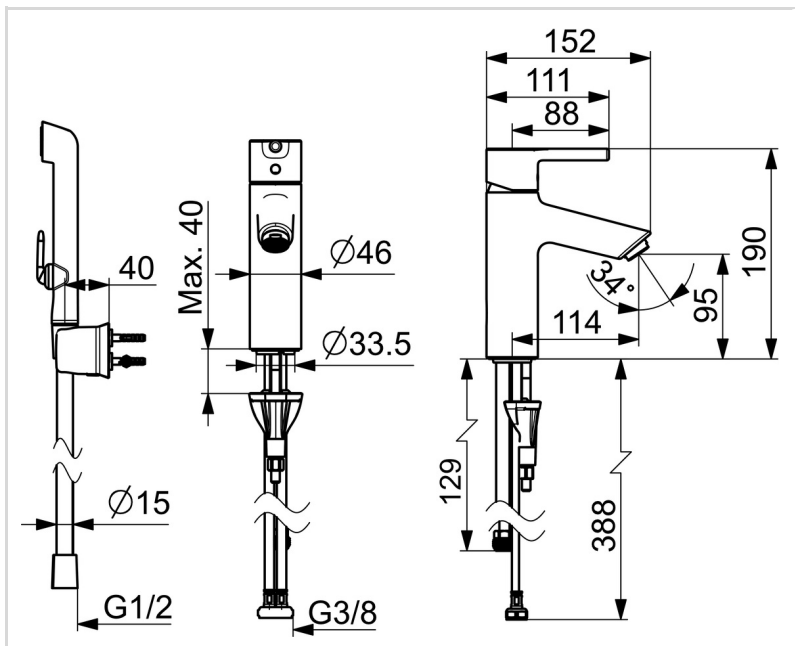
| | |
|-------------|--------------|
| EN standard | EN 817 |
| Noise class | I (ISO 3822) |

APPROVALS AND DECLARATIONS

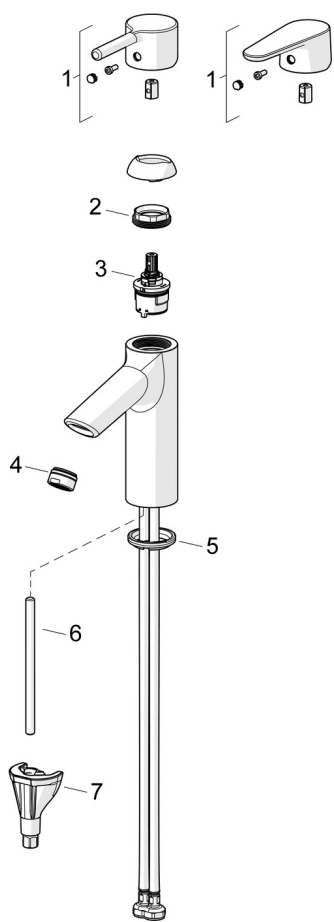
| | |
|---------------------------|---------------------|
| STF certificate | EUF129-23002169-TH1 |
| Declaration of conformity | DoC |
| EPD | S-P-06391 |

SUSTAINABILITY

| | |
|-------------------------------|---------|
| EPD module A1-A3 (kg CO2 eq.) | 10,82 |
| EPD module A4 (kg CO2 eq.) | 0,30 |
| EPD module B7 (kg CO2 eq.) | 1854,00 |
| EPD module C2 (kg CO2 eq.) | 0,02 |
| EPD module C3 (kg CO2 eq.) | 0,02 |
| EPD module C4 (kg CO2 eq.) | 0,08 |
| EPD module D (kg CO2 eq.) | -7,69 |



SPARE PARTS



SP2610F-33

| Name | Code |
|-------------------------------------------------|-------------|
| 01 Lever Matt black | 1010312V-33 |
| 01 Lever Matt black | 1011999V-33 |
| 02 Tightening nut, M34x1.5, SW30 | 1012133V |
| 03 Cartridge, 3.0 | 1014428V |
| 04 Aerator, STD M24x1 HC PCA 6 l/min Matt black | 1018459V-33 |
| 05 Bottom seal | 1002371V |
| 06 Fixing screw, M8x1, L=130 | 1000780V |
| 07 Fixing set | 602610V |