



The Oras Optima is the perfect fit for any bathroom, with a proven expert quality you can rely on, no matter your specific needs. Durable and long-lasting in both design and service life, this faucet brings you joy and confidence for years to come.

Functional considerations and a dedicated level of detail offer a new user experience.

Easy to install with the 3S installation system.

High quality

Sleek design

Made in Europe

Washbasin faucet with maximum comfort

- Deck mounted
- Chrome
- Fixed spout
- PCA® - constant flow rate regardless of pressure variations
- Single operating lever/handle, Hot/Cold symbols
- Limitation option for maximum temperature and flow-rate
- ø 30 mm ceramic cartridge for flow and temperature control
- Flexible inlet pipes
- Inner body made of DZR brass, 3S-installation system for safe and simple mounting
- Without pop-up waste

## TECHNICAL DATA

### FLOW PROPERTIES

Flow-rate at 300 kPa (with flow controller)	0.1 l/s
Pressure loss with flow (0.1 l/s)	195 kPa

### TECHNICAL PROPERTIES

Hot water supply	max. +70°C
Working pressure	50 - 1000 kPa
Connection size	G3/8
Projection	109 mm
Backflow prevention (EN1717)	AA
Material	Brass

### REGULATIONS

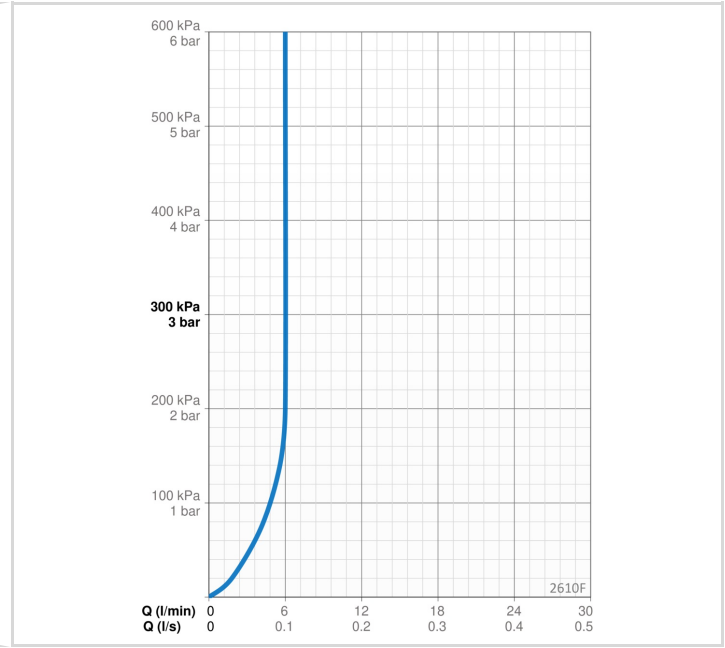
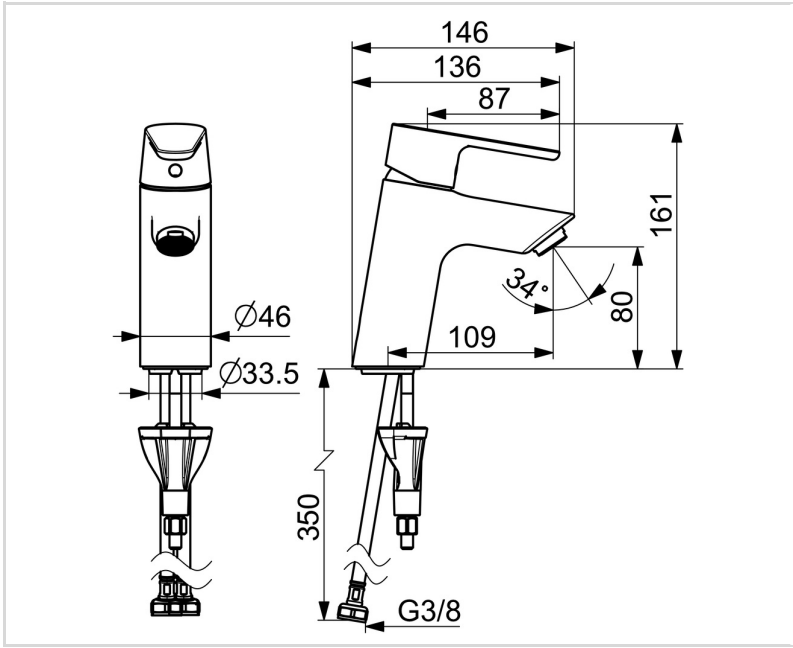
EN standard	EN 817
Noise class	I (ISO 3822)

### APPROVALS AND DECLARATIONS

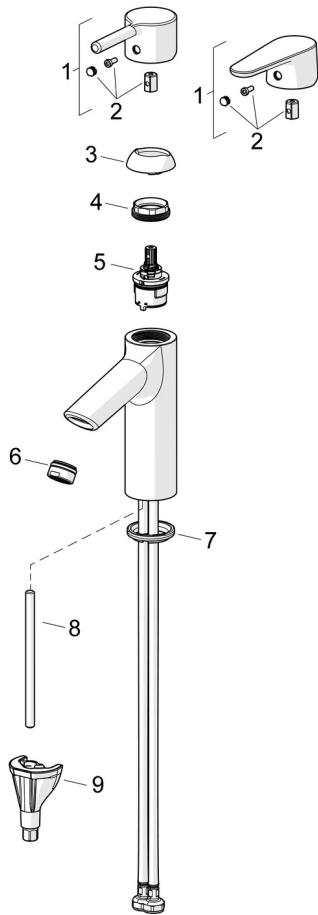
STF certificate	EUF129-23002169-TH1
KIWA SE	1847
Declaration of conformity	DoC
EPD	S-P-06391

### SUSTAINABILITY

EPD module A1-A3 (kg CO2 eq.)	7,31
EPD module A4 (kg CO2 eq.)	0,20
EPD module B7 (kg CO2 eq.)	1854,00
EPD module C2 (kg CO2 eq.)	0,01
EPD module C3 (kg CO2 eq.)	0,02
EPD module C4 (kg CO2 eq.)	0,06
EPD module D (kg CO2 eq.)	-5,20



**SPARE PARTS**



**SP2610F**

Name	Code
01 Lever Chrome	1010312V
01 Lever Chrome	1011999V
02 Symbol plug Chrome	1012105V
03 Covering cap Chrome	1012421V
04 Tightening nut, M34x1.5, SW30	1012133V
05 Cartridge, 3.0	1014428V
06 Aerator, M24x1, 6 l/min Chrome	601974V
07 Bottom seal	1002371V
08 Fixing screw, M8x1, L=130	1000780V
09 Fixing set	602610V