



2615FH-33 ORAS OPTIMA STYLE WASHBASIN FAUCET, 3 V

SINGLE-LEVER, SIDE OPERATED, BIDETTA, BLUETOOTH®

EAN: 6414150102585 static.oras.com/2615FH-33

When great design becomes an attraction of its own, you know it will make a difference in your life. Besides bringing beauty to life, this new classic is also designed to bring any modern bathroom to the next level.

A hybrid faucet offers more flexibility and freedom of use: the user can choose whether they want to wash their hands with the touchless function without touching the lever - or whether they want to open the faucet traditionally with the lever. The hybrid faucet offers more convenience and flexibility in use and is also a sustainable choice: the touchless function consumes less water and energy.

Slender design and graceful shapes make this faucet the highlight of any space.



High quality
Sleek design
Anti-limescale rubber aerator for easy cleaning
Intuitive Remote Bidetta solution
Made in Europe

Perfect fit for any bathroom

- Deck mounted
- Matt black
- Swivel spout
- Standard aerator, PCA® - constant flow rate regardless of pressure variations
- Single operating lever/handle, Pin shape, Hot/Cold symbols
- Hand shower, Shower holder, Shower hose (1750 mm)
- Remote-operated Smart Bidetta
- Limitation option for maximum temperature and flow-rate, Adjustable hot water stop (included, retrofittable)
- ø 30 mm ceramic cartridge for flow and temperature control
- Solenoid valve
- Flexible inlet pipes
- Inner body made of DZR brass
- Without pop-up waste
- 1 spray function

TECHNICAL DATA

FLOW PROPERTIES

Flow-rate at 300 kPa (with flow controller)	0.1 l/s
Pressure loss with flow (0.1 l/s)	195 kPa

TECHNICAL PROPERTIES

Hot water supply	max. +70°C
Working pressure	100 - 1000 kPa
Connection size	G3/8
Projection	147 mm
Backflow prevention (EN1717)	EB
Material	Brass

SOFTWARE SETTINGS

Automatic flush	off (off/1-120 h)
Automatic flush period	30 s (1-1800 s)

ELECTRONIC PROPERTIES

Battery	AA 1.5 V Lithium x 2, CR 2450 3 V
Bluetooth version	5.x (D060577)

REGULATIONS

EU Directives	CE Radio Equipment Directive 2014/53/EU , Low Voltage Directive 2014/35/EU , EMC Directive 2014/30/EU , RoHS Directive 2011/65/EU
EN standard	EN 817, EN 15091, ETSI EN 301 489-1 V1.9.2 , ETSI EN 300 328 v2.2.2, EN 18031-1, EN 61000-6-1:2007 , EN 61000-6-3:2007+A1:2011+AC:2012 , EN 60335-1:2012+A11+A13+A14+A15:2021, Part 19.11.4
Noise class	I (ISO 3822)
Protection class	IP 55

APPROVALS AND DECLARATIONS

STF certificate

EUFI29-23002169-TH1

Declaration of conformity

RED

EPD

S-P-06391

SUSTAINABILITY

EPD module A1-A3 (kg CO2 eq.)

18,93

EPD module A4 (kg CO2 eq.)

0,52

EPD module B7 (kg CO2 eq.)

1854,00

EPD module C2 (kg CO2 eq.)

0,03

EPD module C3 (kg CO2 eq.)

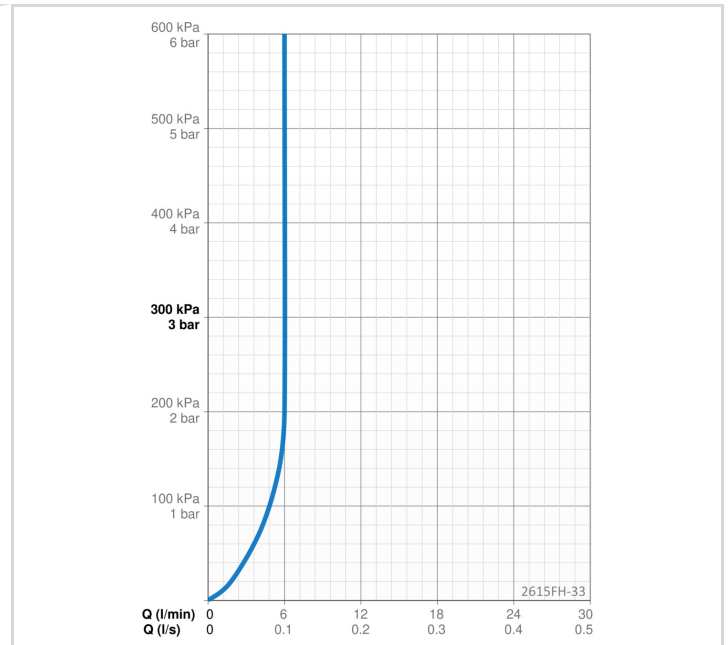
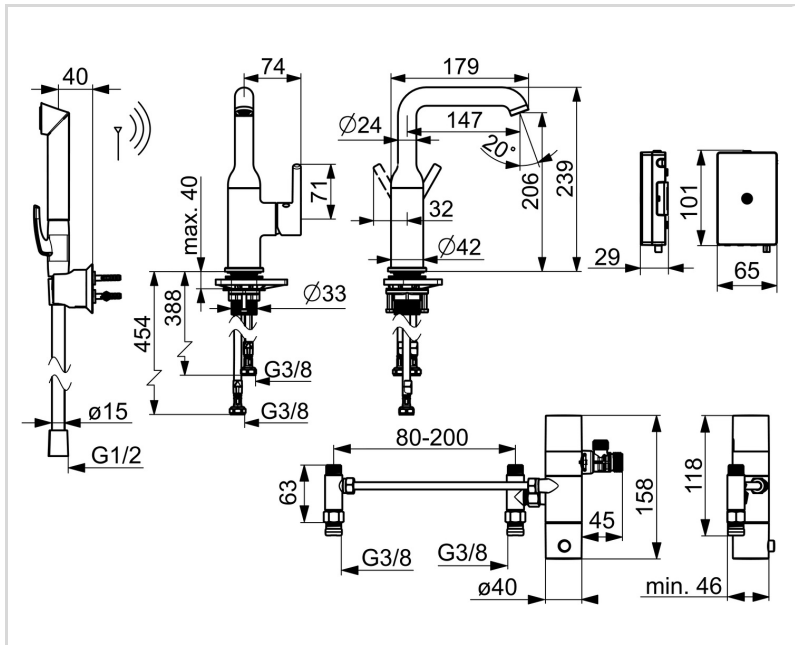
0,04

EPD module C4 (kg CO2 eq.)

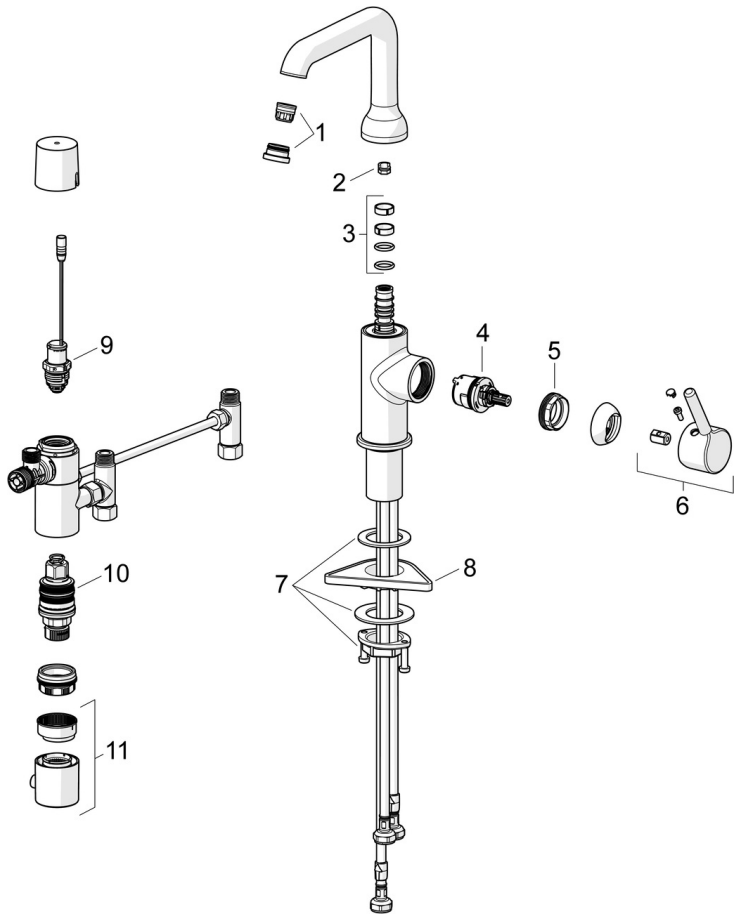
0,15

EPD module D (kg CO2 eq.)

-13,46



SPARE PARTS



SP2615FH-33

	Name	Code
01	Aerator and key, PCA 1.5 gpm Matt black	1012273V-33
02	Spout overturning stopper, 120°	159670/10
03	Sealing kit for spout	198287V
04	Cartridge, 3.0	1014428V
05	Tightening nut, M34x1.5, SW30	1012133V
06	Lever Matt black	1001748V-33
07	Fixing set	602629V
08	Supporting plate, 100x60mm	158825
09	Pilot valve, 3 V	601884V-F
10	Thermostatic cartridge	178780V
11	Temperature control handle Chrome	602062V