



2638AF-33 ORAS OPTIMA KITCHEN FAUCET

SINGLE-LEVER, SIDE OPERATED

EAN: 6414150102172 static.oras.com/2638AF-33



The Oras Optima is the perfect fit for any kitchen, with a proven expert quality you can rely on, no matter your specific needs. Durable and long-lasting in both design and service life, this faucet brings you joy and confidence for years to come. Functional considerations and a dedicated level of detail offer a new user experience.

The single-lever, side operated feature allows for easy temperature and flow-rate adjustments. The swivel spout and pin-shaped handle with hot/cold symbols provide convenience and flexibility. Flexible inlet pipes for easy installation. The \varnothing 30 mm ceramic cartridge ensures precise flow and temperature control, with an option for maximum temperature and flow-rate limitation. The inner body is made of DZR brass for added durability. Swivel spout with 120° spout swivel range.

- Deck mounted
- Matt black
- Swivel spout
- Standard aerator
- Single operating lever/handle, Pin shape, Hot/Cold symbols
- Limitation option for maximum temperature and flow-rate
- \varnothing 30 mm ceramic cartridge for flow and temperature control
- Flexible inlet pipes
- Inner body made of DZR brass

TECHNICAL DATA

FLOW PROPERTIES

Flow-rate at 300 kPa	0.18 l/s
Pressure loss with flow (0.2 l/s)	375 kPa

TECHNICAL PROPERTIES

Hot water supply	max. +70°C
Working pressure	50 - 1000 kPa
Connection size	G3/8
Projection	247 mm
Backflow prevention (EN1717)	AA
Material	Brass

REGULATIONS

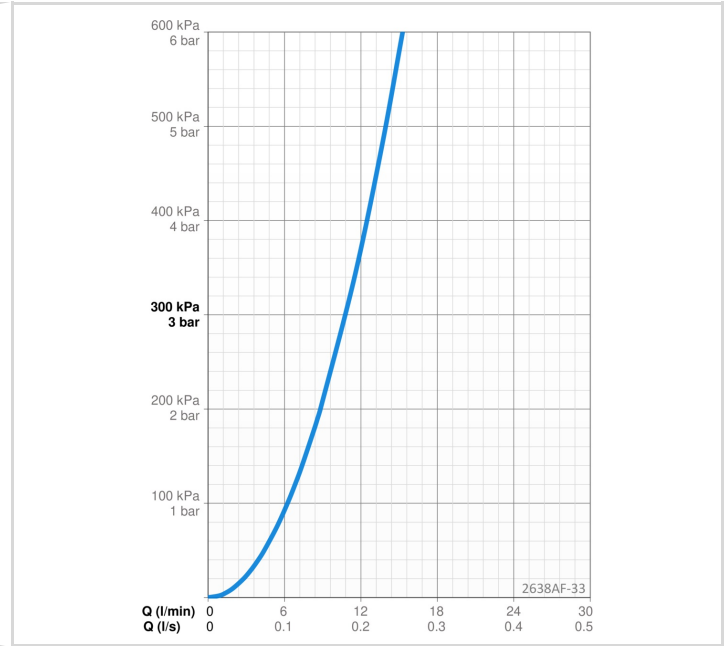
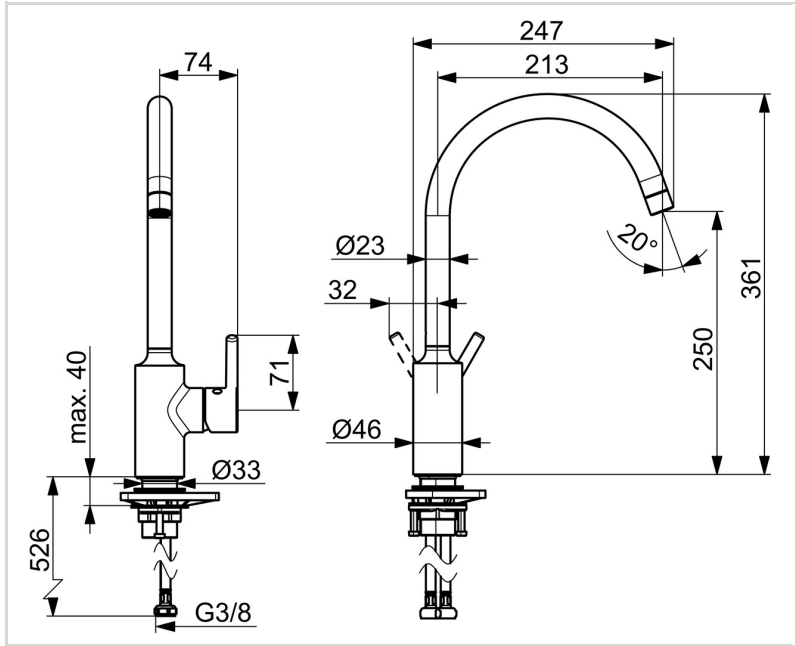
EN standard	EN 817
Noise class	I (ISO 3822)

APPROVALS AND DECLARATIONS

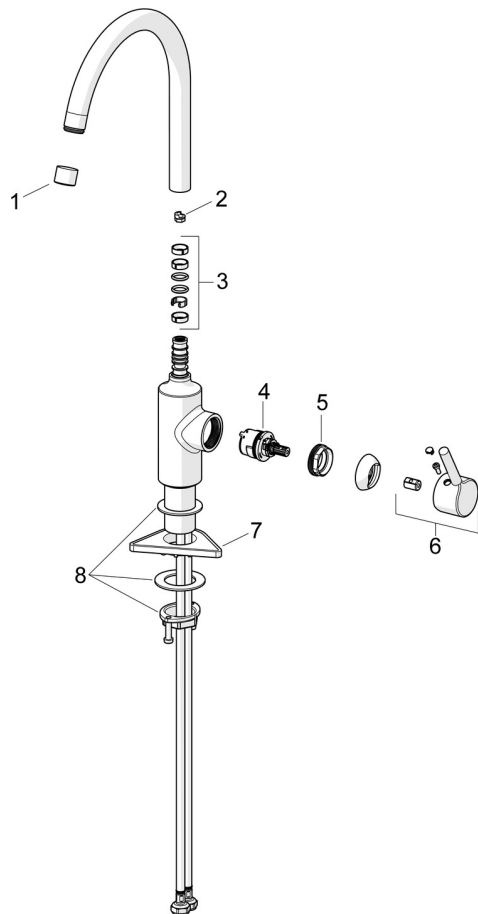
KIWA SE	1607
Declaration of conformity	DoC
EPD	S-P-06396

SUSTAINABILITY

EPD module A1-A3 (kg CO2 eq.)	11,27
EPD module A4 (kg CO2 eq.)	0,22
EPD module B7 (kg CO2 eq.)	4255,20
EPD module C2 (kg CO2 eq.)	0,02
EPD module C3 (kg CO2 eq.)	0,02
EPD module C4 (kg CO2 eq.)	0,34
EPD module D (kg CO2 eq.)	-6,37



SPARE PARTS



SP2638AF-33

	Name	Code
01	Aerator, STD M22x1 CC A Matt black	1017047V-33
02	Spout overturning stopper, 60°/0°	159667/10
02	Spout overturning stopper, 60°/0°	159667V
02	Spout overturning stopper, 120°	159670/10
03	Sealing kit for spout	1001098V
04	Cartridge, 3.0	1014428V
05	Tightening nut, M34x1.5, SW30	1012133V
06	Lever Matt black	1001748V-33
07	Supporting plate, 100x60mm	158825
08	Fixing set	602629V