



2638AF ORAS OPTIMA KITCHEN FAUCET

SINGLE-LEVER, SIDE OPERATED

EAN: 6414150102141 static.oras.com/2638AF



The Oras Optima is the perfect fit for any kitchen, with a proven expert quality you can rely on, no matter your specific needs. Durable and long-lasting in both design and service life, this faucet brings you joy and confidence for years to come. Functional considerations and a dedicated level of detail offer a new user experience.

The single-lever, side operated feature allows for easy temperature and flow-rate adjustments. The swivel spout and pin-shaped handle with hot/cold symbols provide convenience and flexibility. Flexible inlet pipes for easy installation. The \varnothing 30 mm ceramic cartridge ensures precise flow and temperature control, with an option for maximum temperature and flow-rate limitation. The inner body is made of DZR brass for added durability. Swivel spout with 120° spout swivel range.

- Deck mounted
- Chrome
- Swivel spout
- Standard aerator
- Single operating lever/handle, Pin shape, Hot/Cold symbols
- Limitation option for maximum temperature and flow-rate
- \varnothing 30 mm ceramic cartridge for flow and temperature control
- Flexible inlet pipes
- Inner body made of DZR brass

TECHNICAL DATA

FLOW PROPERTIES

Flow-rate at 300 kPa	0.18 l/s
Pressure loss with flow (0.2 l/s)	375 kPa

TECHNICAL PROPERTIES

Hot water supply	max. +70°C
Working pressure	50 - 1000 kPa
Connection size	G3/8
Projection	247 mm
Backflow prevention (EN1717)	AA
Material	Brass

REGULATIONS

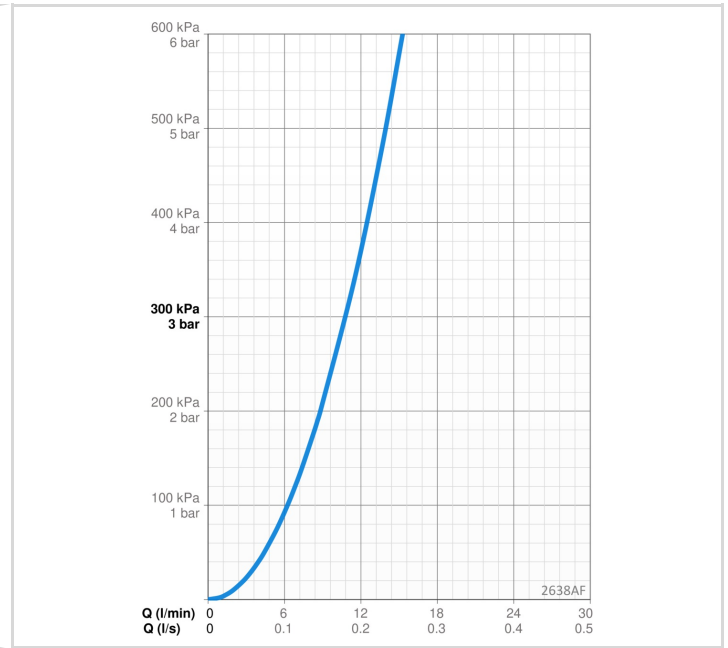
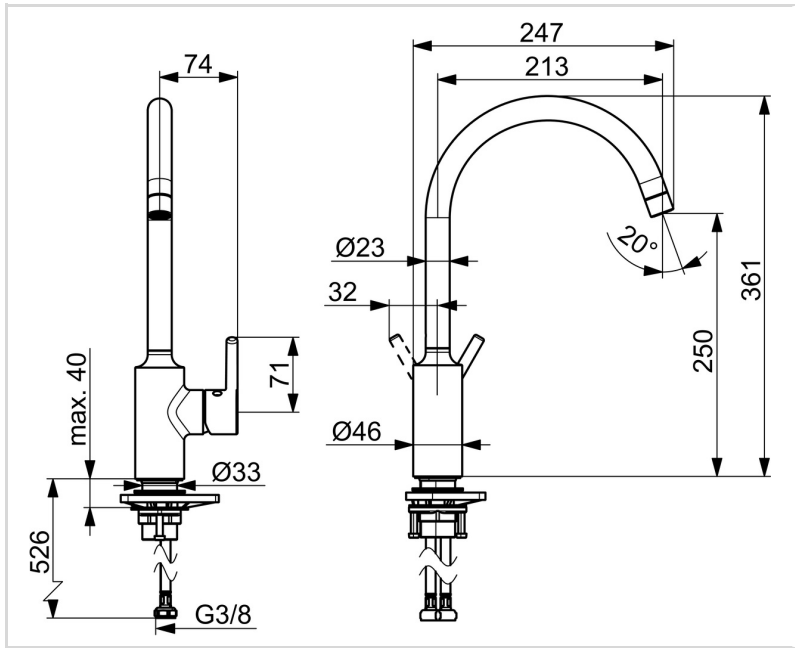
EN standard	EN 817
Noise class	I (ISO 3822)

APPROVALS AND DECLARATIONS

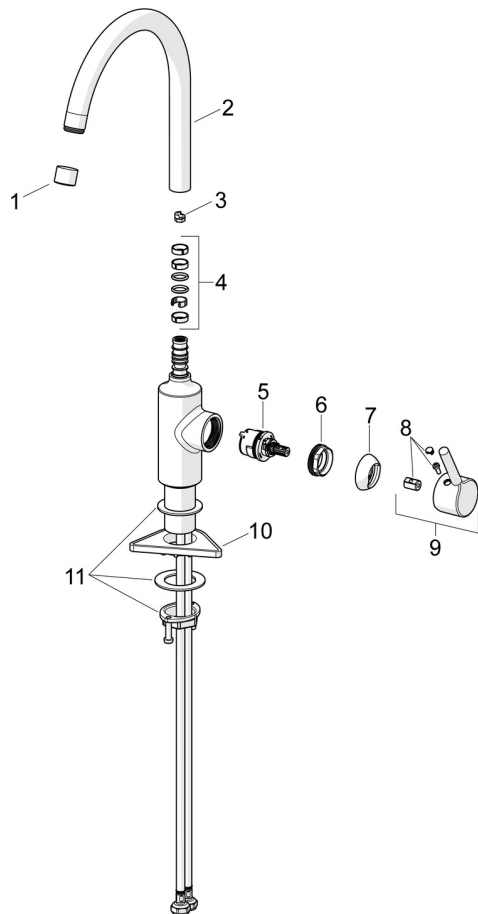
KIWA SE	1607
Declaration of conformity	DoC
EPD	S-P-06396

SUSTAINABILITY

EPD module A1-A3 (kg CO2 eq.)	11,30
EPD module A4 (kg CO2 eq.)	0,23
EPD module B7 (kg CO2 eq.)	4255,20
EPD module C2 (kg CO2 eq.)	0,02
EPD module C3 (kg CO2 eq.)	0,02
EPD module C4 (kg CO2 eq.)	0,34
EPD module D (kg CO2 eq.)	-6,39



SPARE PARTS



SP2638AF

Name	Code
01 Aerator, STD M22x1 CC A Chrome	1017047V
02 High spout, L=208 Chrome	1001058V
03 Spout overturning stopper, 60°/0°	159667/10
03 Spout overturning stopper, 60°/0°	159667V
03 Spout overturning stopper, 120°	159670/10
04 Sealing kit for spout	1001098V
05 Cartridge, 3.0	1014428V
06 Tightening nut, M34x1.5, SW30	1012133V
07 Covering cap Chrome	1012132V
08 Symbol plug Chrome	1012105V
09 Lever Chrome	1001748V
10 Supporting plate, 100x60mm	158825
11 Fixing set	602629V