



2638FH-33 ORAS OPTIMA STYLE KITCHEN FAUCET

SINGLE-LEVER, SIDE OPERATED

EAN: 6414150102189 static.oras.com/2638FH-33



When great design becomes an attraction of its own, you know it will make a difference in your life. Besides bringing beauty to life, this new classic is also designed to bring any modern kitchen to the next level. Slender design and graceful shapes make this faucet the highlight of any space.

The single-lever, side operated feature allows for easy temperature and flow-rate adjustments. The swivel spout and pin-shaped handle with hot/cold symbols provide convenience and flexibility. Flexible inlet pipes for easy installation. The \varnothing 30 mm ceramic cartridge ensures precise flow and temperature control, with an option for maximum temperature and flow-rate limitation. The inner body is made of DZR brass for added durability. Swivel spout with 120° spout swivel range.

- Deck mounted
- Matt black
- Swivel spout
- Standard aerator
- Single operating lever/handle, Pin shape, Hot/Cold symbols
- Limitation option for maximum temperature and flow-rate
- \varnothing 30 mm ceramic cartridge for flow and temperature control
- Flexible inlet pipes
- Inner body made of DZR brass

TECHNICAL DATA

FLOW PROPERTIES

Flow-rate at 300 kPa	0.17 l/s
Pressure loss with flow (0.2 l/s)	420 kPa

TECHNICAL PROPERTIES

Hot water supply	max. +70°C
Working pressure	50 - 1000 kPa
Connection size	G3/8
Projection	255 mm
Backflow prevention (EN1717)	AA
Material	Brass

REGULATIONS

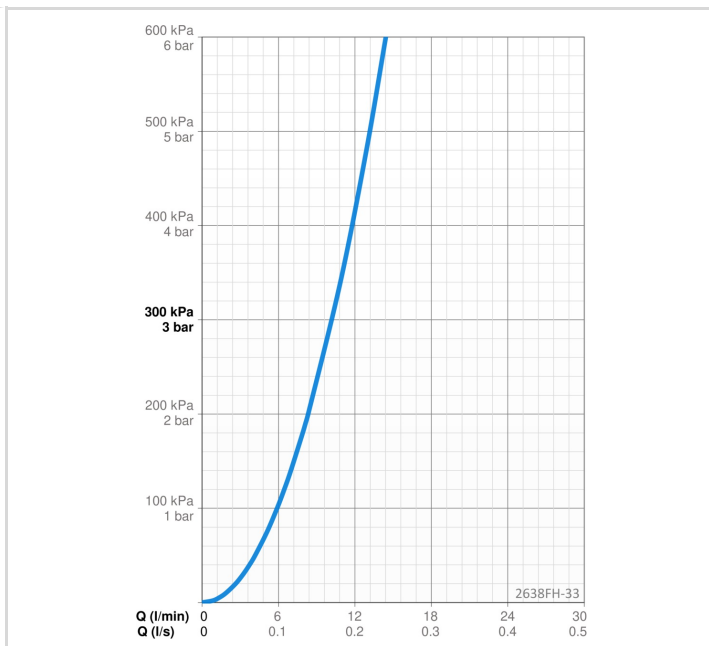
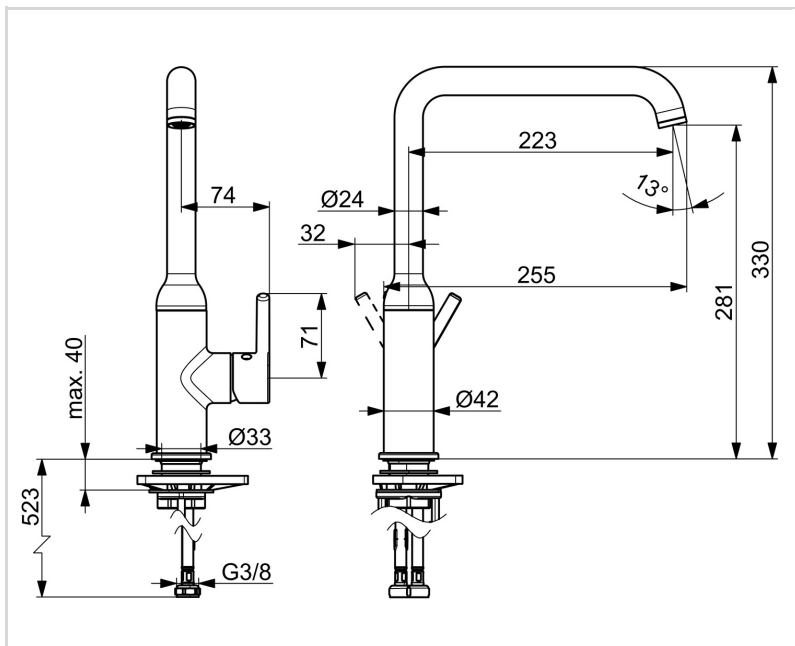
EN standard	EN 817
Noise class	I (ISO 3822)

APPROVALS AND DECLARATIONS

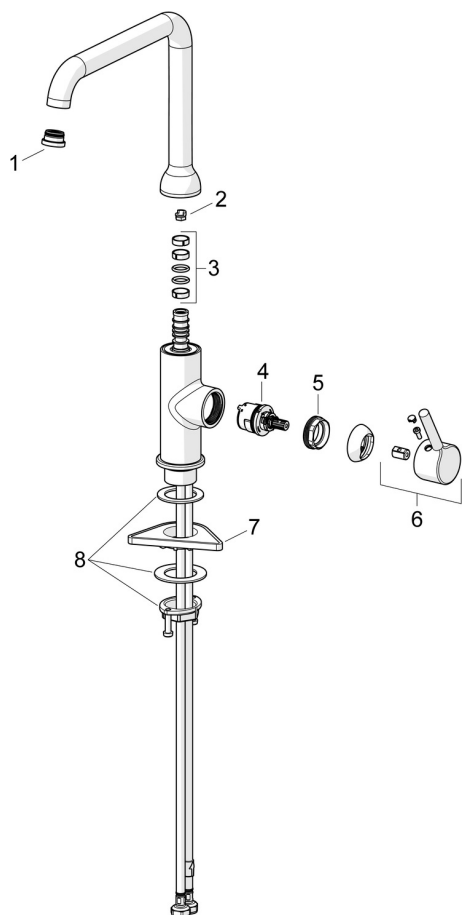
KIWA SE	1607
Declaration of conformity	DoC
EPD	S-P-06396

SUSTAINABILITY

EPD module A1-A3 (kg CO2 eq.)	12,42
EPD module A4 (kg CO2 eq.)	0,25
EPD module B7 (kg CO2 eq.)	4018,80
EPD module C2 (kg CO2 eq.)	0,02
EPD module C3 (kg CO2 eq.)	0,02
EPD module C4 (kg CO2 eq.)	0,38
EPD module D (kg CO2 eq.)	-7,02



SPARE PARTS



SP2638FH-33

	Name	Code
01	Aerator and key, Cascade SLC TJ A Matt black	1014808V-33
02	Spout overturning stopper, 60°/0°	159667/10
02	Spout overturning stopper, 60°/0°	159667V
02	Spout overturning stopper, 120°	159670/10
03	Sealing kit for spout	1001098V
04	Cartridge, 3.0	1014428V
05	Tightening nut, M34x1.5, SW30	1012133V
06	Lever Matt black	1001748V-33
07	Supporting plate, 100x60mm	158825
08	Fixing set	602629V