



2638FH-81 ORAS OPTIMA STYLE KITCHEN FAUCET

SINGLE-LEVER, SIDE OPERATED

EAN: 6414150105579 static.oras.com/2638FH-81



When great design becomes an attraction of its own, you know it will make a difference in your life. Besides bringing beauty to life, this new classic is also designed to bring any modern kitchen to the next level. Slender design and graceful shapes make this faucet the highlight of any space.

- Deck mounted
- Brushed bronze
- Swivel spout
- Standard aerator
- Single operating lever/handle, Pin shape, Hot/Cold symbols
- Limitation option for maximum temperature and flow-rate
- ø 30 mm ceramic cartridge for flow and temperature control
- Flexible inlet pipes
- Inner body made of DZR brass

TECHNICAL DATA

FLOW PROPERTIES

Flow-rate at 300 kPa	0.17 l/s
Pressure loss with flow (0.2 l/s)	420 kPa

TECHNICAL PROPERTIES

Hot water supply	max. +70°C
Working pressure	50 - 1000 kPa
Connection size	G3/8
Projection	255 mm
Backflow prevention (EN1717)	AA
Material	Brass

REGULATIONS

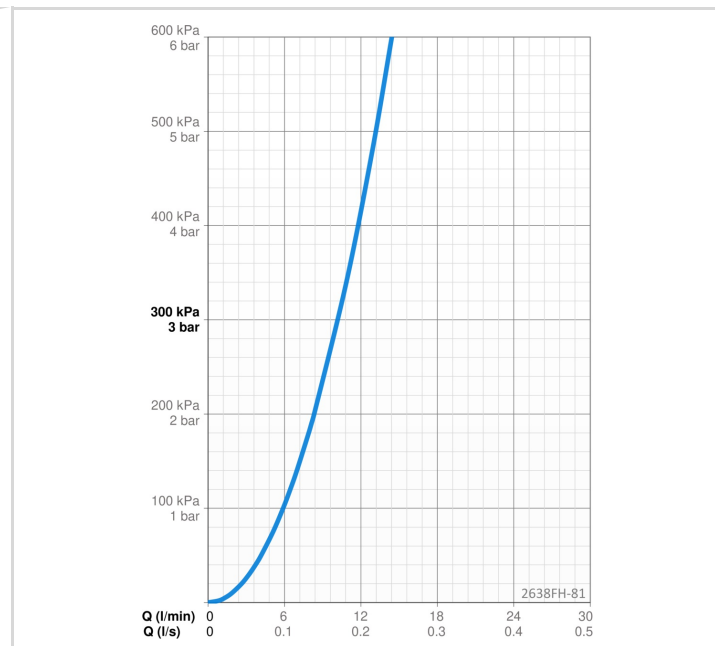
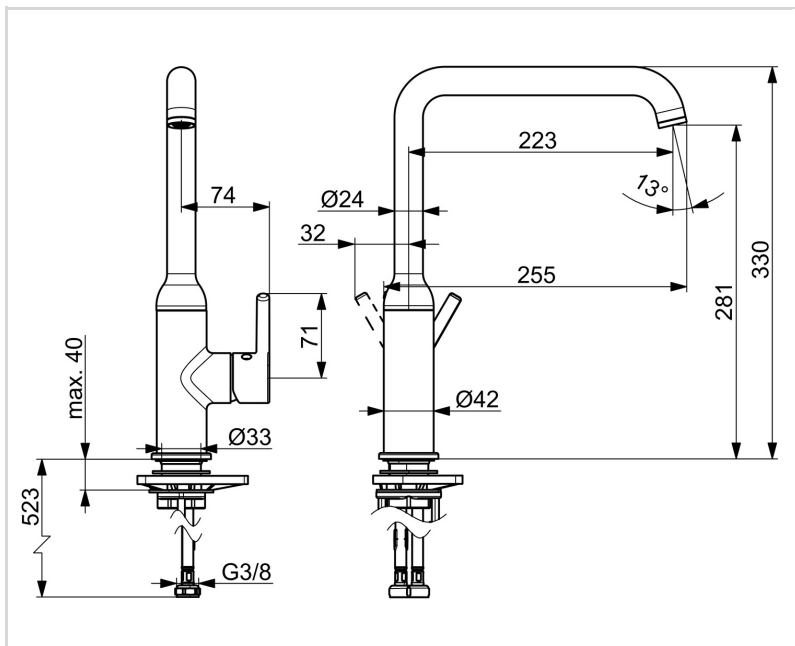
EN standard	EN 817
Noise class	I (ISO 3822)

APPROVALS AND DECLARATIONS

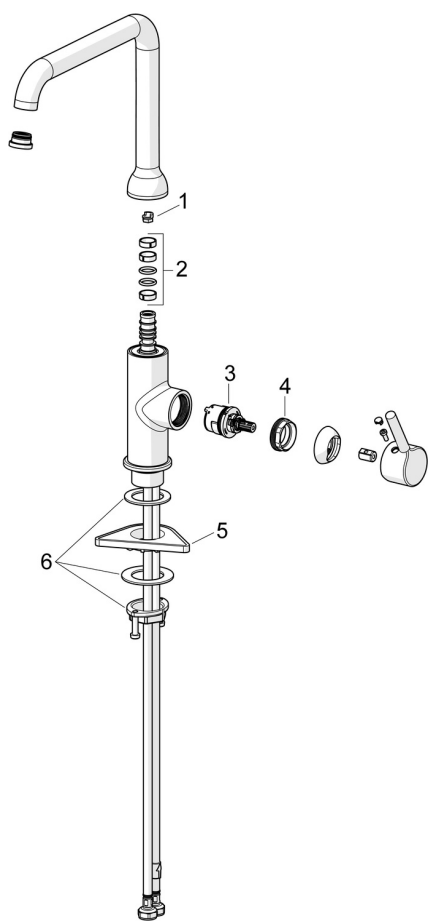
KIWA SE	1607
Declaration of conformity	DoC
EPD	S-P-06396

SUSTAINABILITY

EPD module A1-A3 (kg CO2 eq.)	12,42
EPD module A4 (kg CO2 eq.)	0,25
EPD module B7 (kg CO2 eq.)	4018,80
EPD module C2 (kg CO2 eq.)	0,02
EPD module C3 (kg CO2 eq.)	0,02
EPD module C4 (kg CO2 eq.)	0,38
EPD module D (kg CO2 eq.)	-7,02



SPARE PARTS



SP2638FH-CLR

	Name	Code
01	Spout overturning stopper, 60°/0°	159667/10
01	Spout overturning stopper, 60°/0°	159667V
01	Spout overturning stopper, 120°	159670/10
02	Sealing kit for spout	1001098V
03	Cartridge, 3.0	1014428V
04	Tightening nut, M34x1.5, SW30	1012133V
05	Supporting plate, 100x60mm	158825
06	Fixing set	602629V