



2638FHTZ-33 ORAS OPTIMA STYLE HYBRID KITCHEN FAUCET, 230/9 V, BLUETOOTH

HYBRID, PLUG TRANSFORMER, BLUETOOTH®

EAN: 6414150102264 static.oras.com/2638FHTZ-33

When great design becomes an attraction of its own, you know it will make a difference in your life. Besides bringing beauty to life, this new classic is also designed to bring any modern kitchen to the next level. Slender design and graceful shapes make this faucet the highlight of any space. The Elegance of the design combined with the smartest technology gives you the best from both worlds. The sensor technology give you a touchless function when needed so you don't have to touch the faucet with dirty hands, just put your hand in front of the faucet and water will start to run.

Simple and smart in everyday use.

- Deck mounted
- Matt black
- Swivel spout
- Standard aerator
- Single operating lever/handle, Pin shape, Hot/Cold symbols
- Limitation option for maximum temperature and flow-rate
- ø 30 mm ceramic cartridge for flow and temperature control
- Advanced PSD sensor, Solenoid valve, Power supply
- Flexible inlet pipes
- Inner body made of DZR brass



TECHNICAL DATA

FLOW PROPERTIES

Flow-rate at 300 kPa	0.18 l/s
Pressure loss with flow (0.2 l/s)	375 kPa

TECHNICAL PROPERTIES

Hot water supply	max. +70°C
Working pressure	50 - 1000 kPa
Connection size	G3/8
Projection	255 mm
Backflow prevention (EN1717)	EB
Material	Brass

SOFTWARE SETTINGS

Automatic flush	30 s (1-1800 s)
Automatic flush period	30 s (1-1800 s)
Max. flow period	10 s (1-1800s)

ELECTRONIC PROPERTIES

Electrical Connection	230 / 9 V
Bluetooth version	5.x (D060576)

REGULATIONS

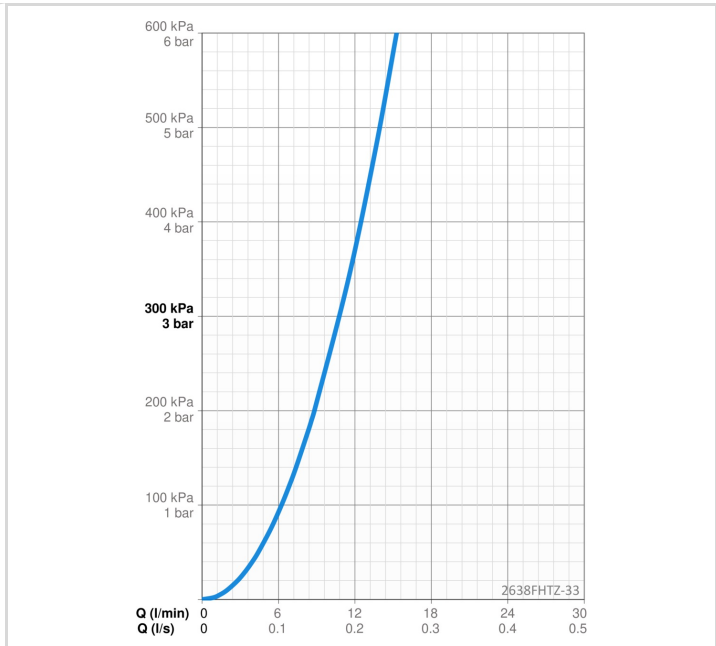
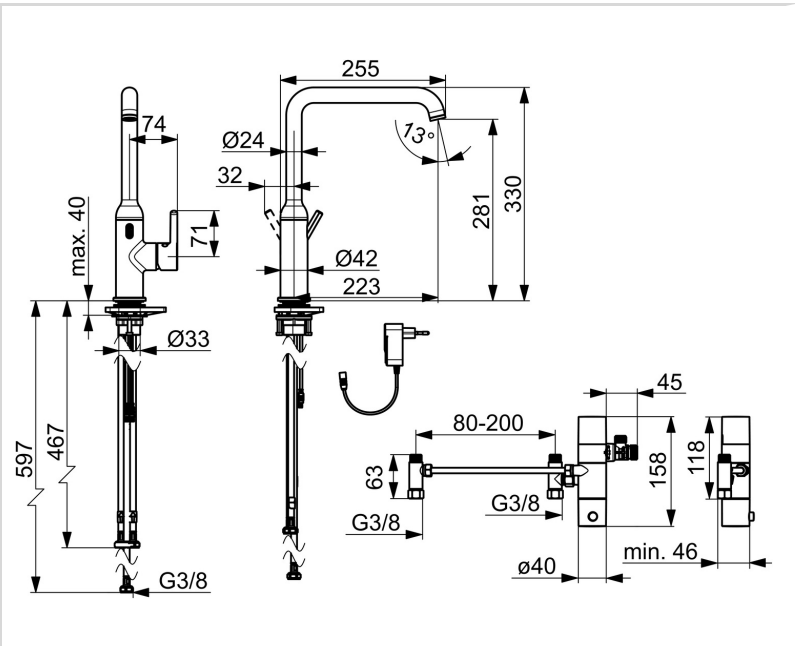
EU Directives	CE Radio Equipment Directive 2014/53/EU , Low Voltage Directive 2014/35/EU , EMC Directive 2014/30/EU , RoHS Directive 2011/65/EU
EN standard	ETSI EN 301 489-1 V1.9.2 , ETSI EN 300 328 v2.2.2, EN 18031-1, EN 61000-6-1:2007 , EN 61000-6-3:2007+A1:2011+AC:2012 , EN 60335-1:2012+A11+A13+A1+A14+A2+A15:2021, Part 19.11.4
Noise class	I (ISO 3822)
Protection class	IP 55 / transformer IP 20

APPROVALS AND DECLARATIONS

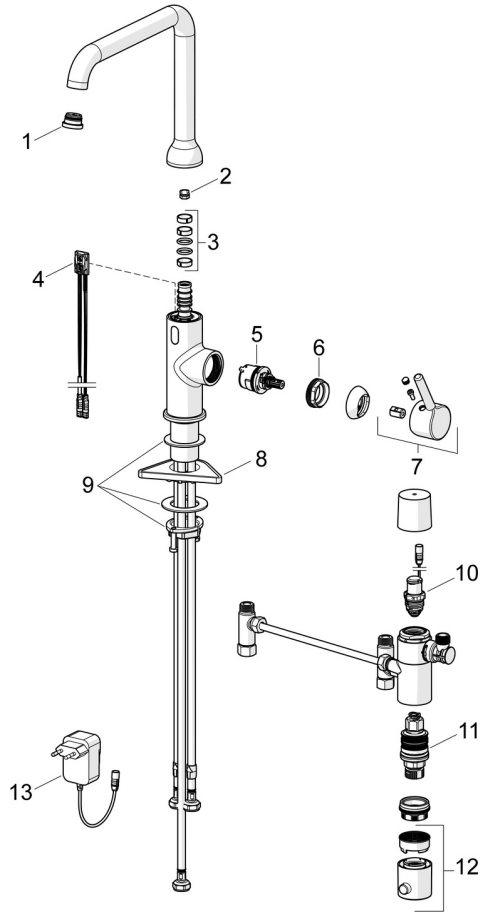
KIWA SE	1628
Declaration of conformity	RED
EPD	S-P-07817

SUSTAINABILITY

EPD module A1-A3 (kg CO2 eq.)	23,54
EPD module A4 (kg CO2 eq.)	0,63
EPD module B7 (kg CO2 eq.)	2127,60
EPD module C2 (kg CO2 eq.)	0,03
EPD module C3 (kg CO2 eq.)	0,03
EPD module C4 (kg CO2 eq.)	0,60
EPD module D (kg CO2 eq.)	-11,41



SPARE PARTS



SP2638FHTZ-33

	Name	Code
01	Aerator and key, Cascade SLC TJ A Matt black	1014808V-33
02	Spout overturning stopper, 60°/0°	159667/10
02	Spout overturning stopper, 60°/0°	159667V
02	Spout overturning stopper, 120°	159670/10
03	Sealing kit for spout	1001098V
04	Sensor, 3/9 V, Bluetooth	1014212V
05	Cartridge, 3.0	1014428V
06	Tightening nut, M34x1.5, SW30	1012133V
07	Lever Matt black	1001748V-33
08	Supporting plate, 100x60mm	158825
09	Fixing set	602629V
10	Pilot valve, 3 V	601884V-F
11	Thermostatic cartridge	178780V
12	Temperature control handle Chrome	602062V
13	Power supply, 230/9 V, 550 mA	199550